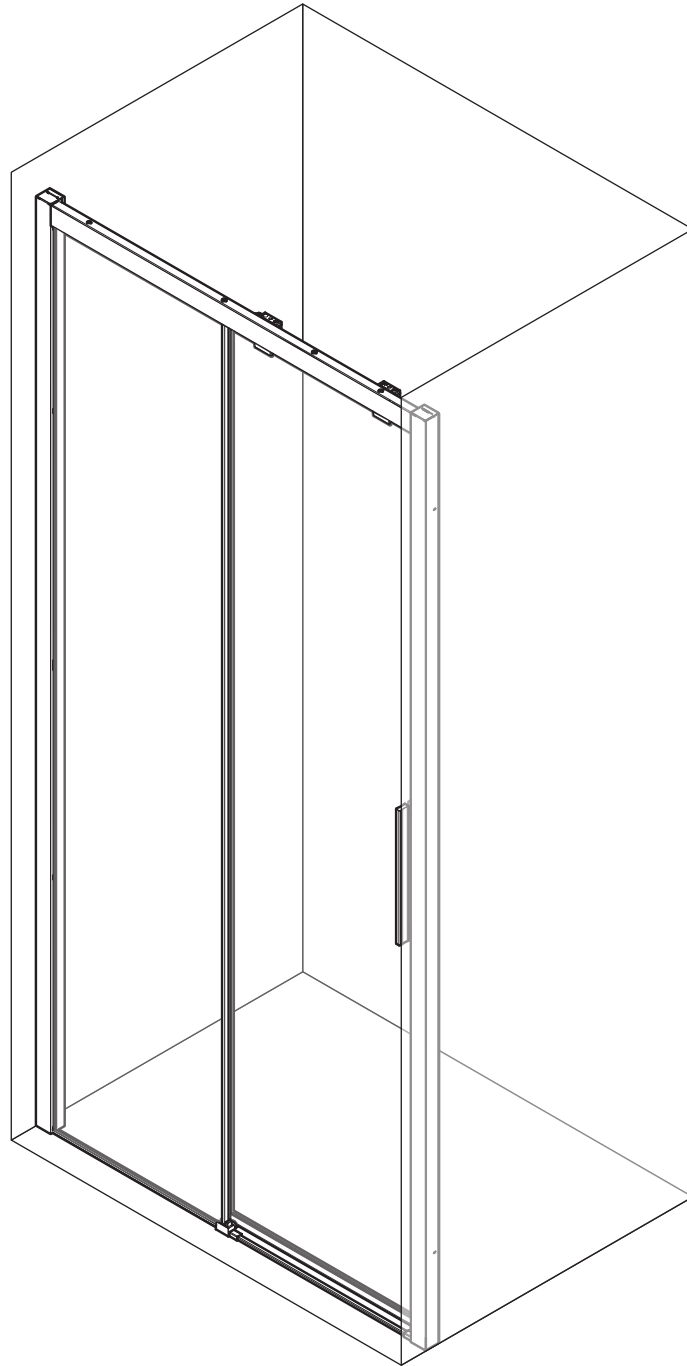


KUADRA 2.0

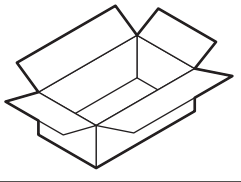
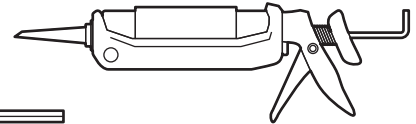
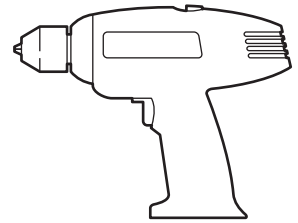
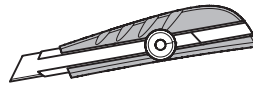
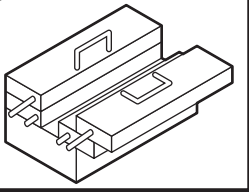


NOVELLINI

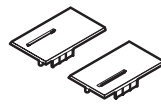
2PH



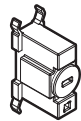
| | |
|--|--|
| | |
| | |
| | |
| | |



x1



x1



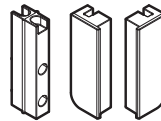
x4



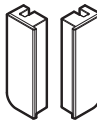
x2



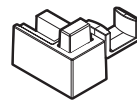
x1



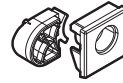
x1



x1



x1



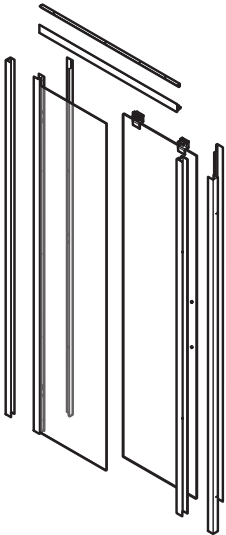
x1



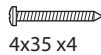
x1



x2



S6 x4



4x35 x4



M6x20 x1



2,9x6,5 x2



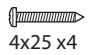
M3x25 x1



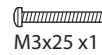
3,5x25 x2



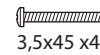
4x35 x4



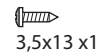
4x25 x4



M3x25 x1



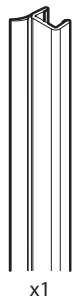
3,5x45 x4



3,5x13 x1



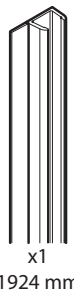
M4x25 x2



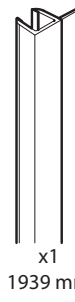
x1



x1



x1
1924 mm



x1
1939 mm



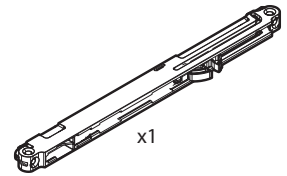
x2



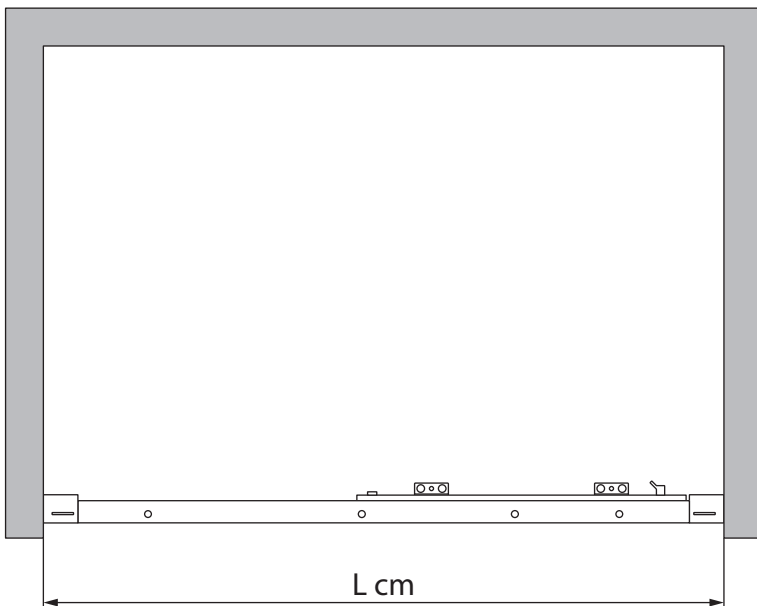
x1



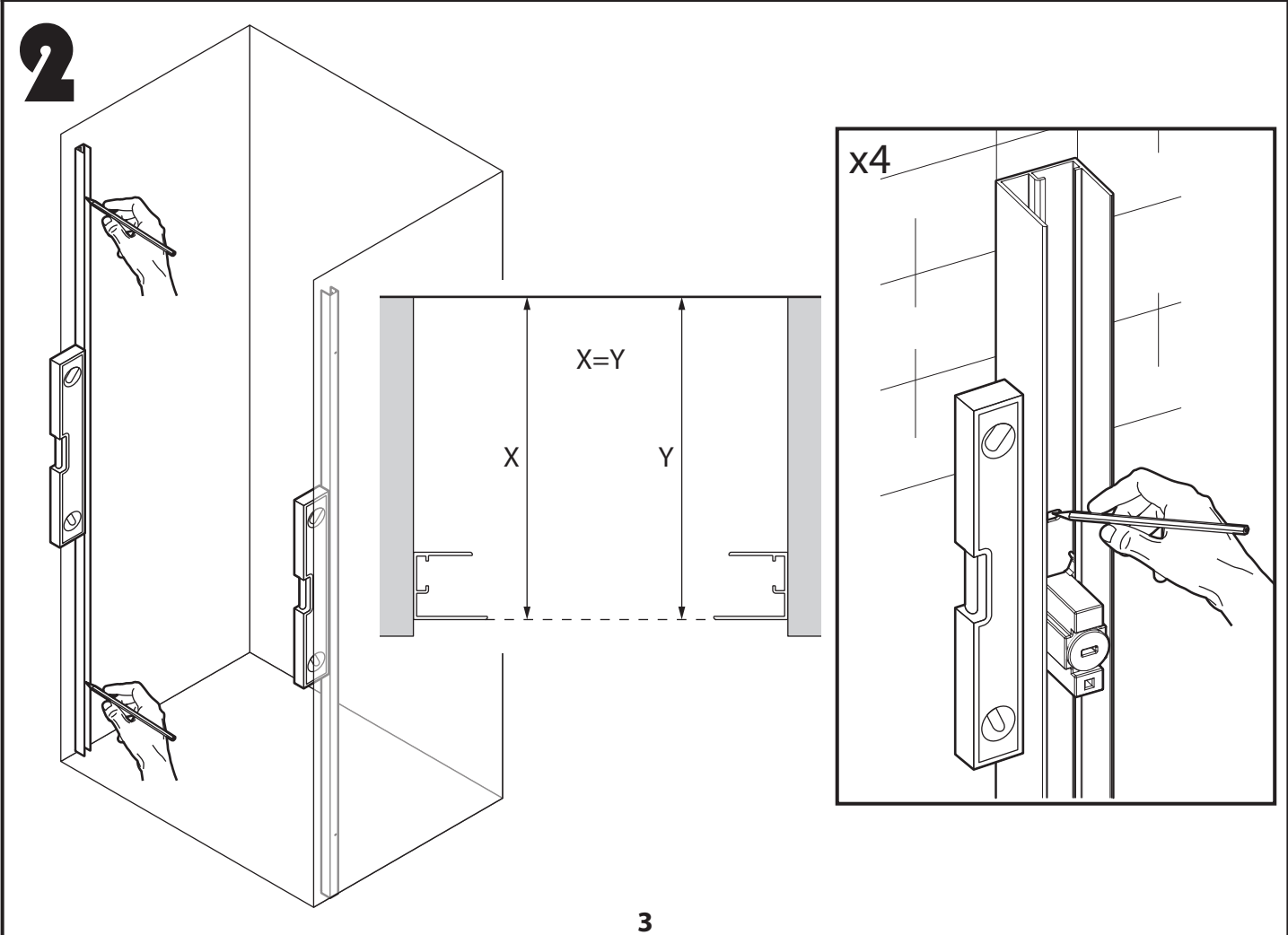
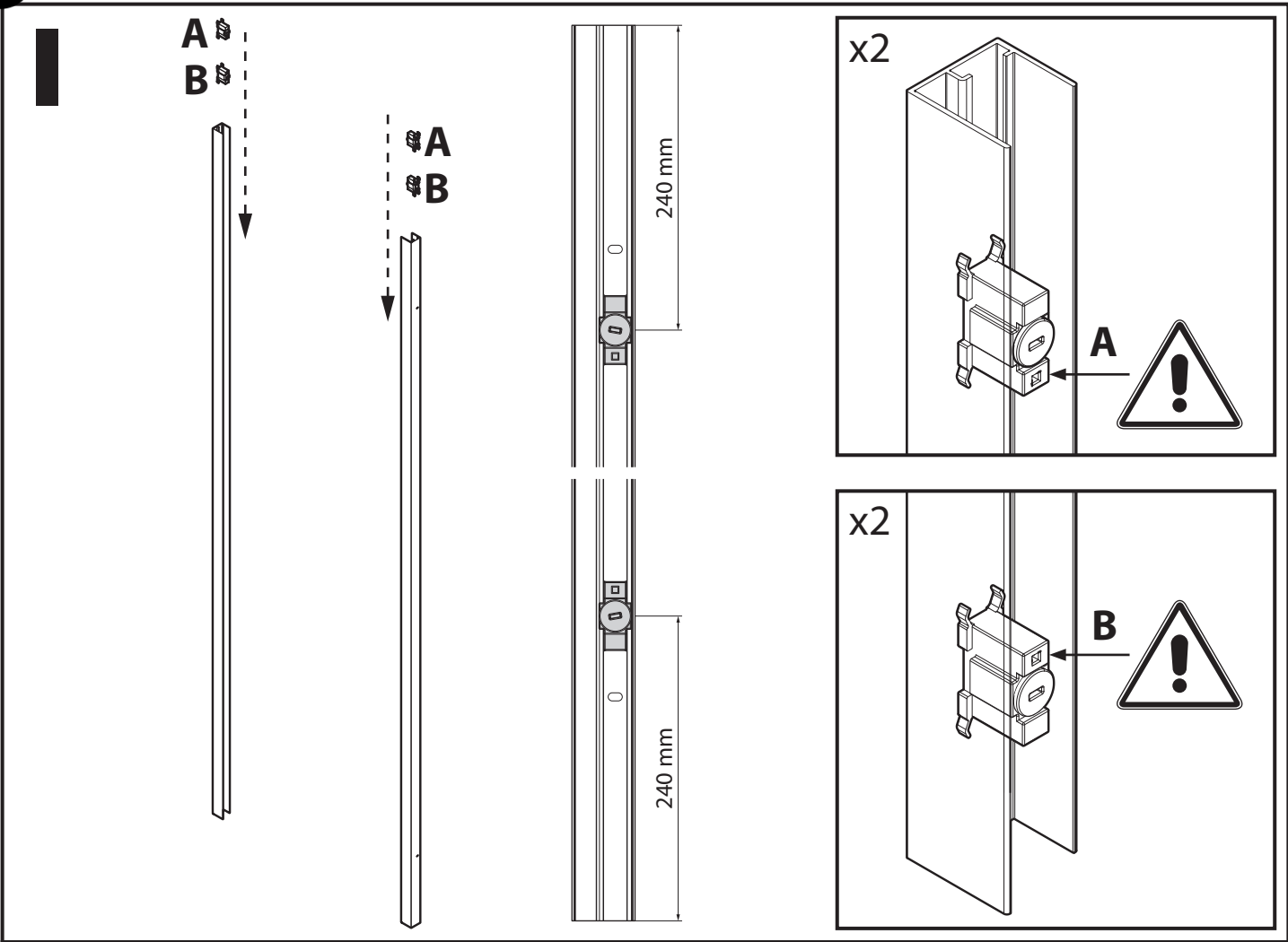
x1



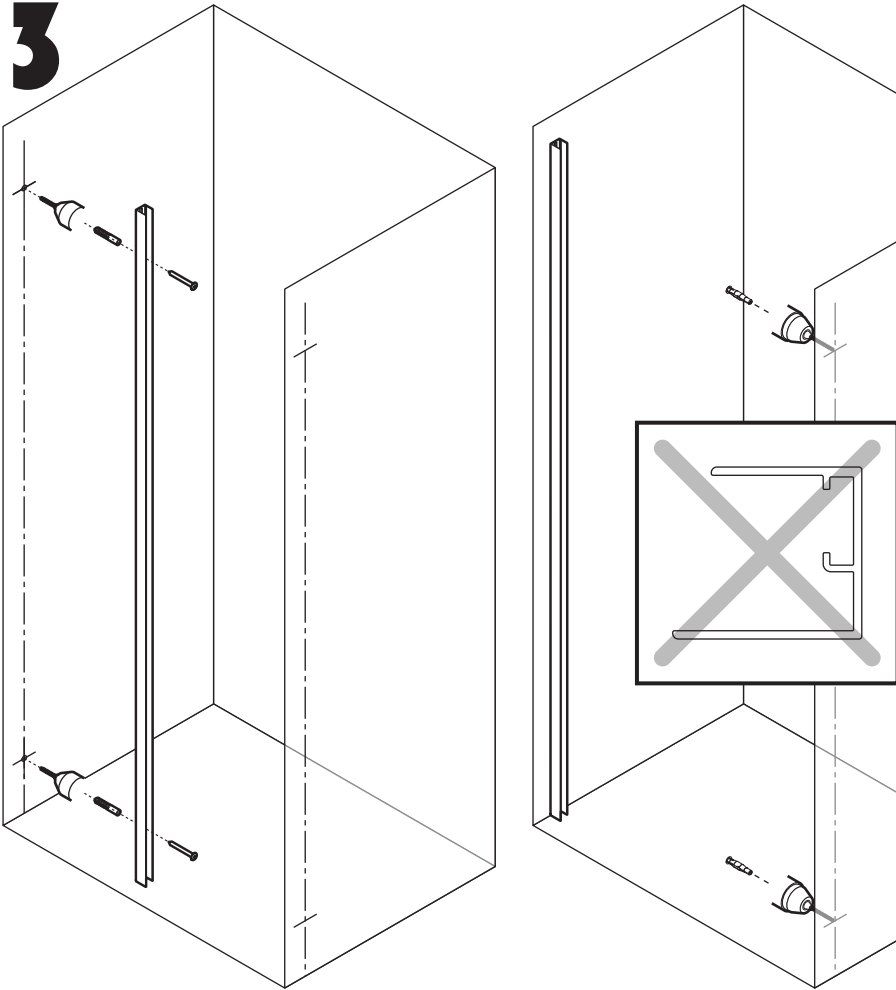
x1



| | |
|--------|--------------|
| 2PH97 | L=97-101 cm |
| 2PH107 | L=107-111 cm |
| 2PH117 | L=117-121 cm |
| 2PH127 | L=127-131 cm |
| 2PH137 | L=137-141 cm |
| 2PH147 | L=147-151 cm |
| 2PH157 | L=157-161 cm |
| 2PH167 | L=167-171 cm |
| 2PH177 | L=177-181 cm |
| 2PH187 | L=187-191 cm |



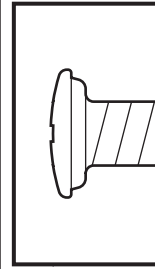
3



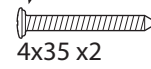
x2



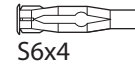
No!



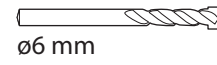
OK



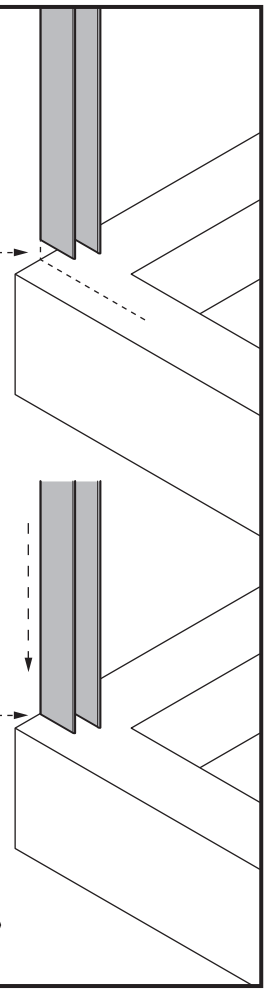
4x35 x2



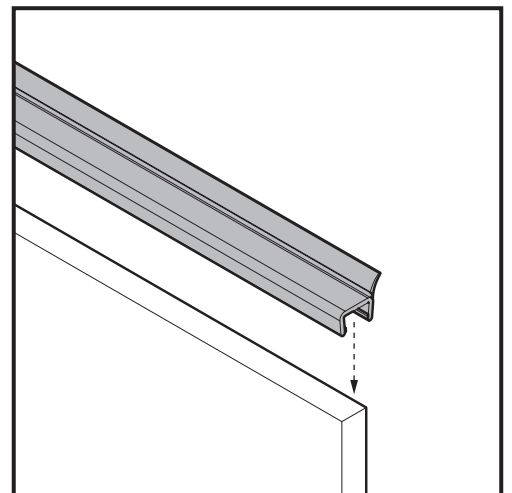
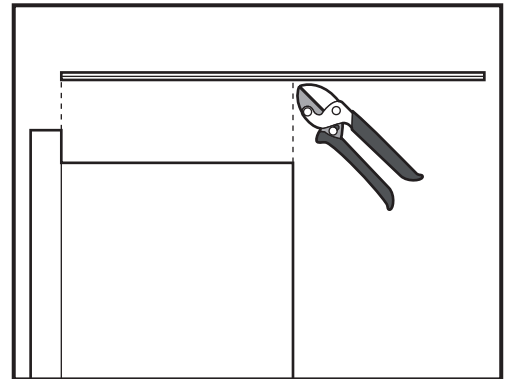
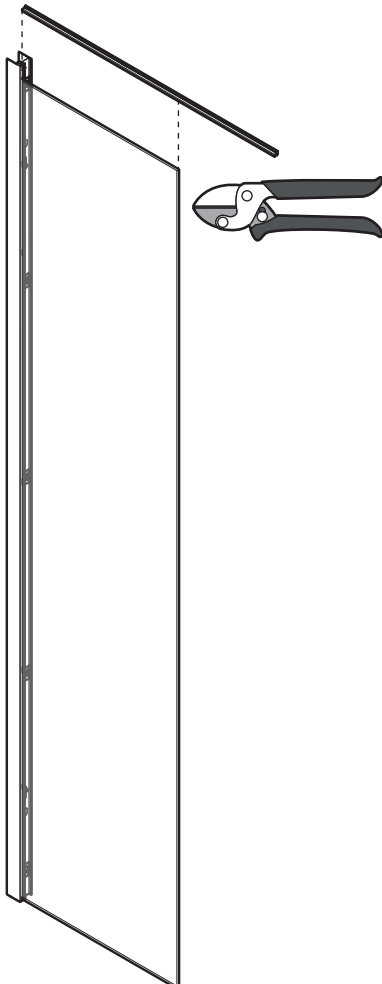
S6x4



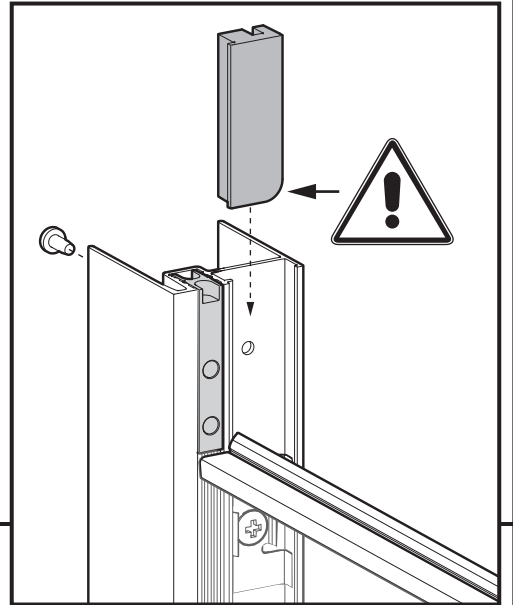
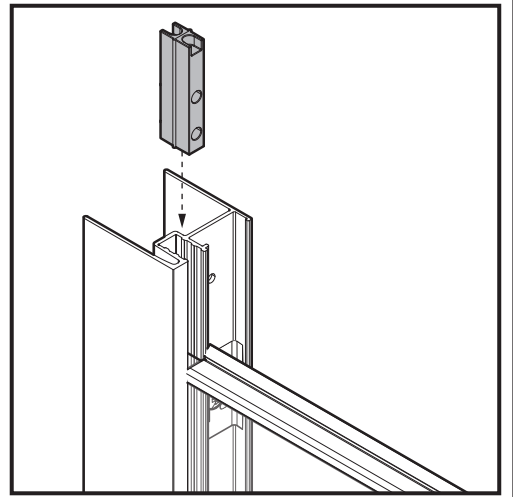
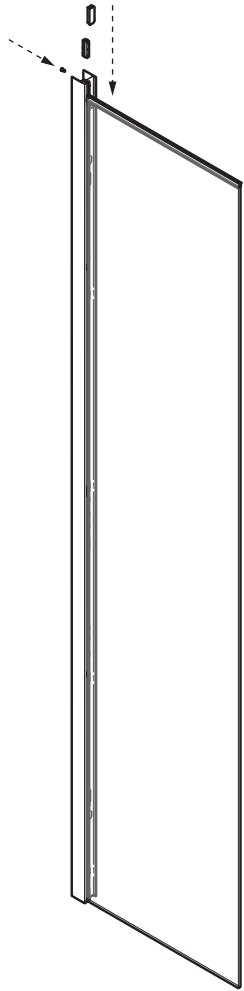
ø6 mm



4

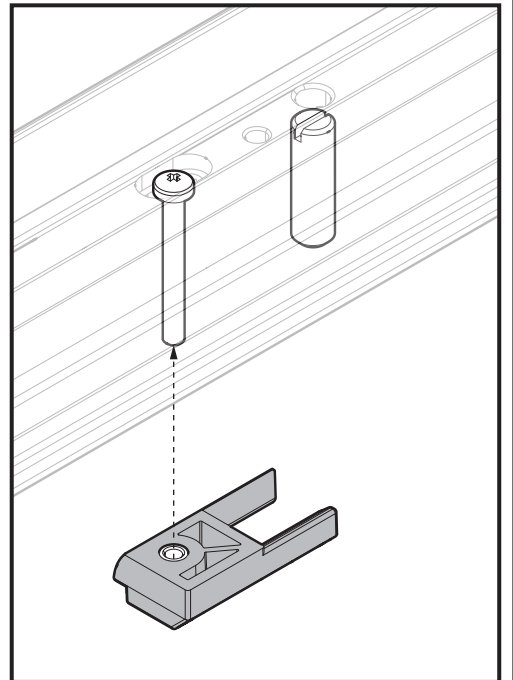
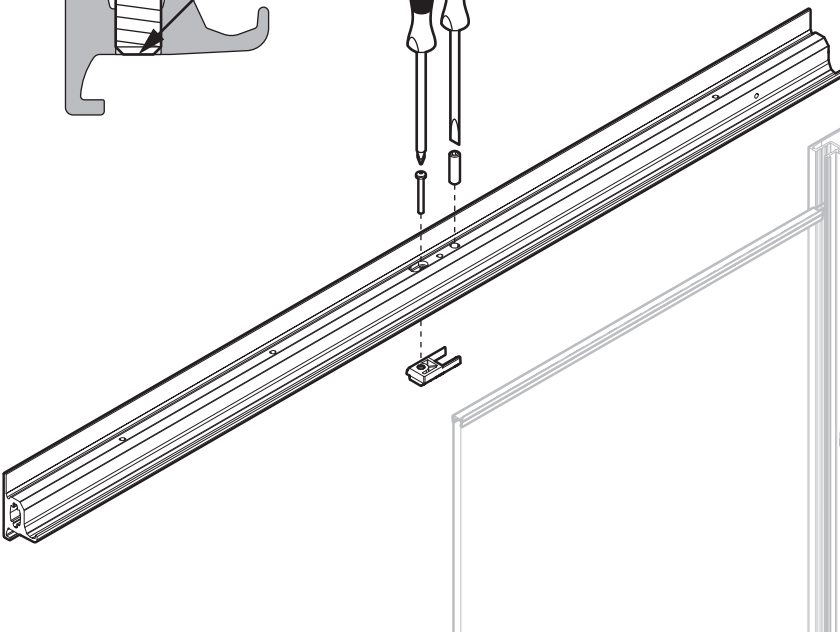
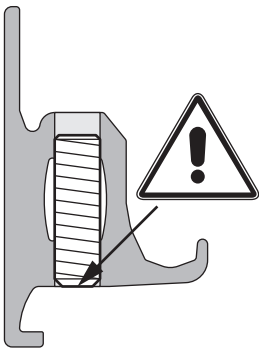



5




 2,9x6,5 x1

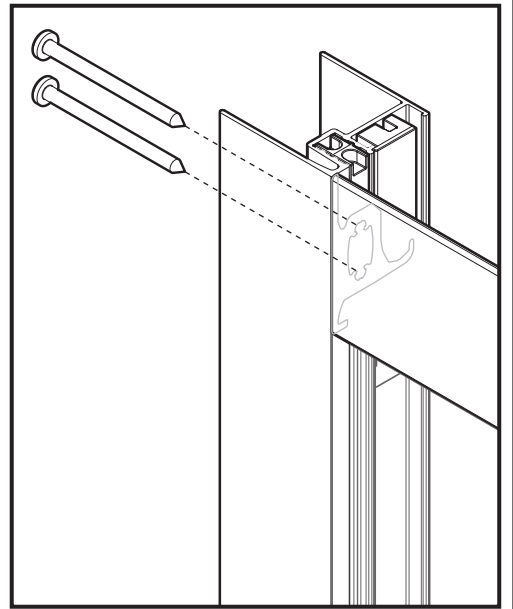
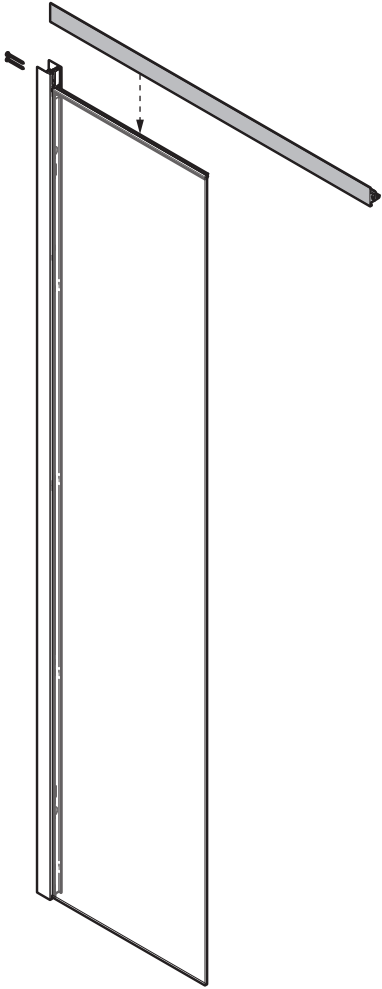
6




 M6x20 x1

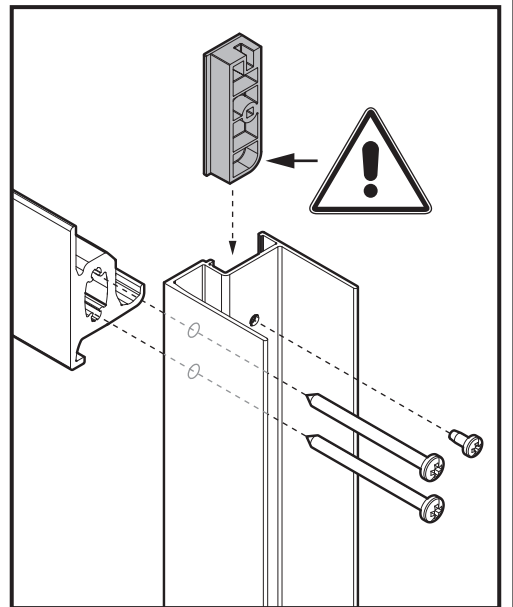
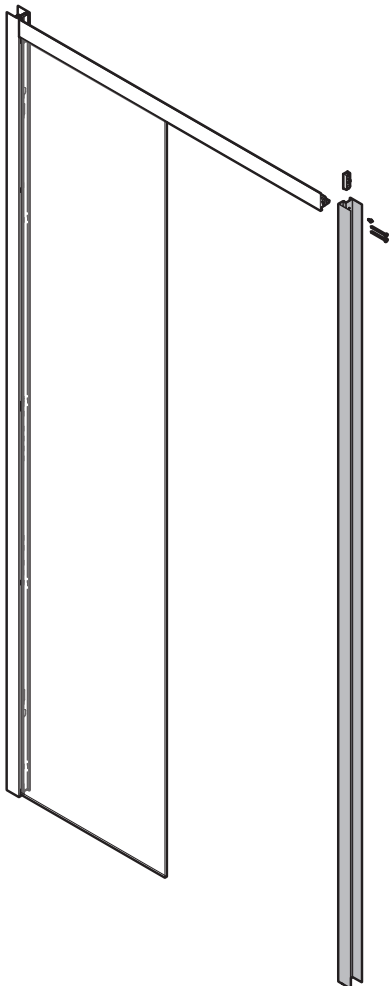
 M3x25 x1


7



 3,5x45 x2

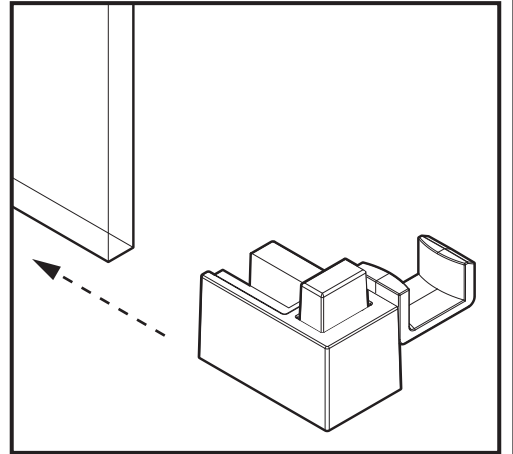
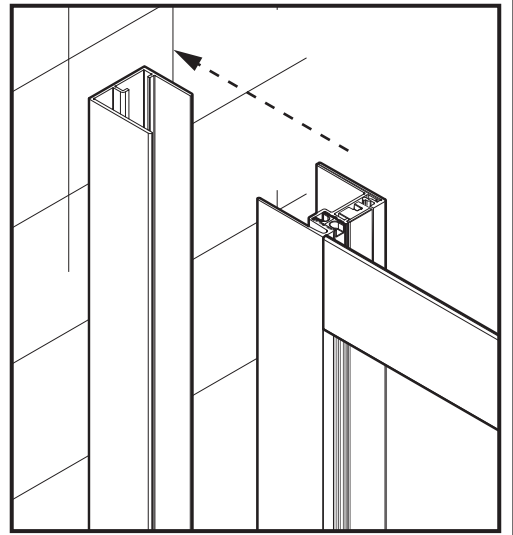
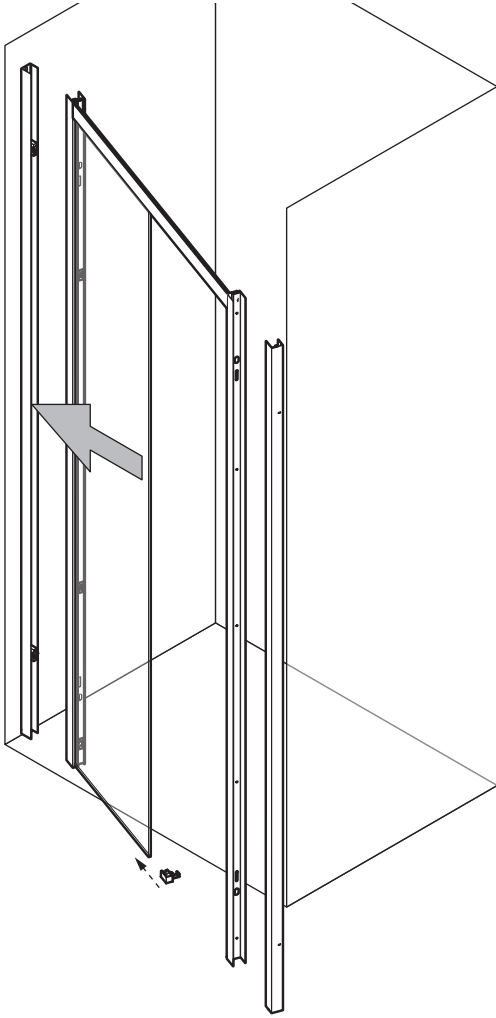
8



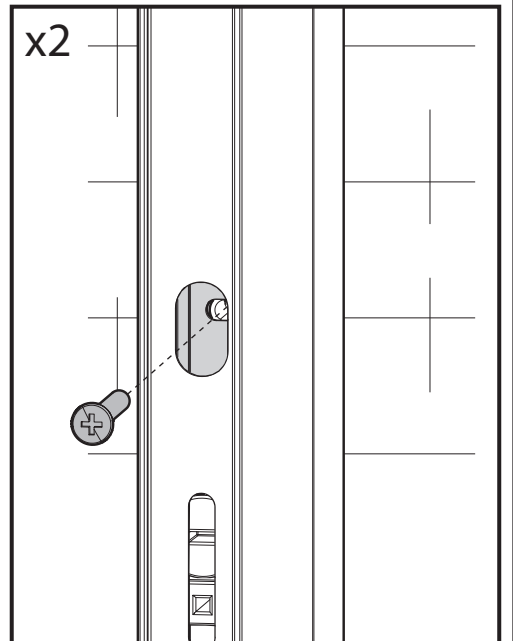
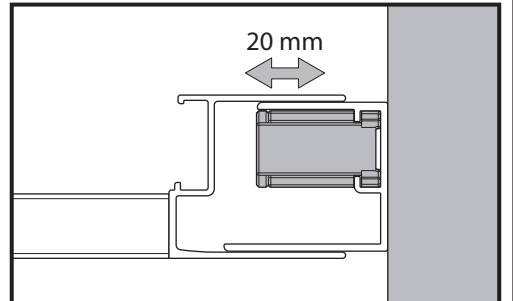
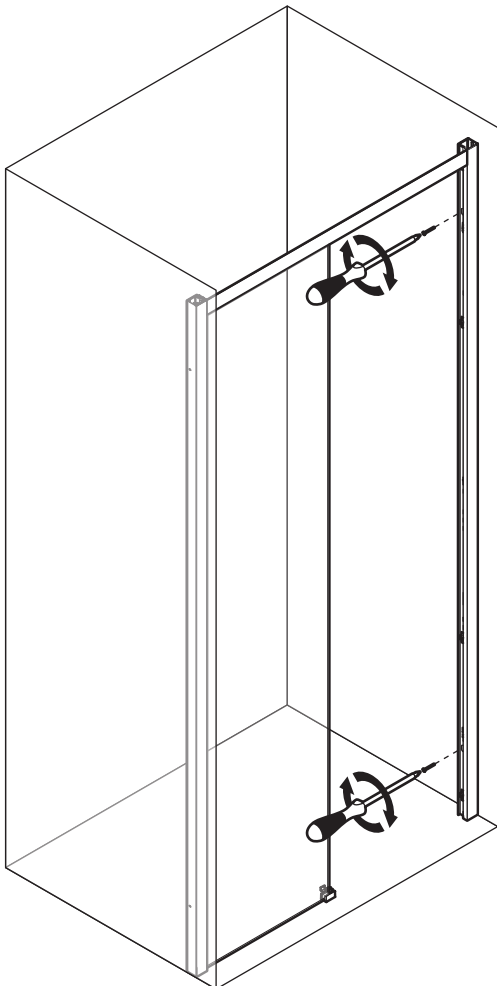
 3,5x45 x2

 2,9x6,5 x1

9

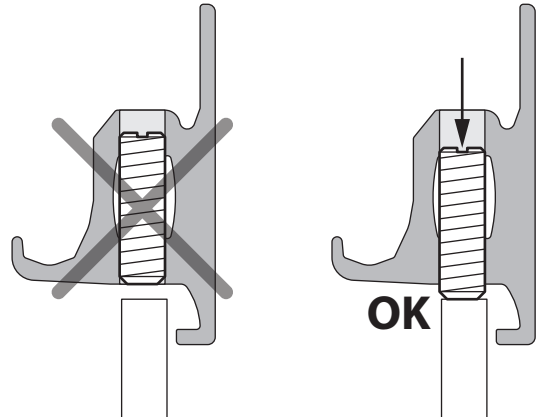
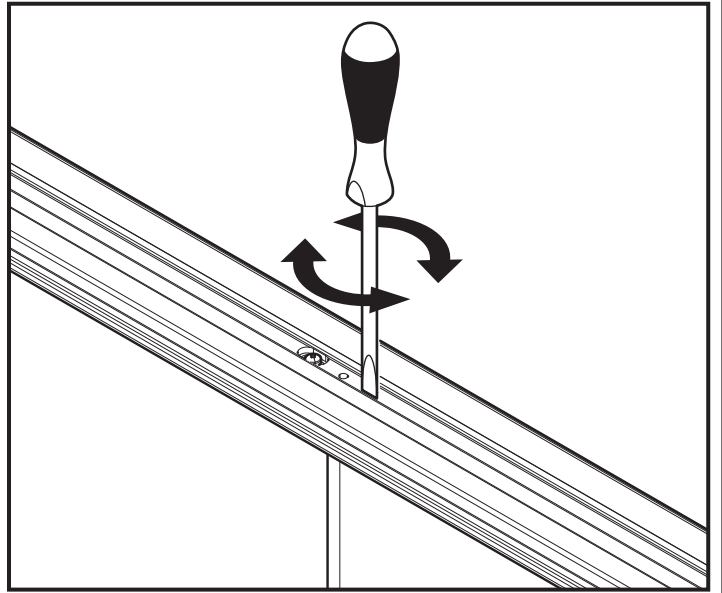
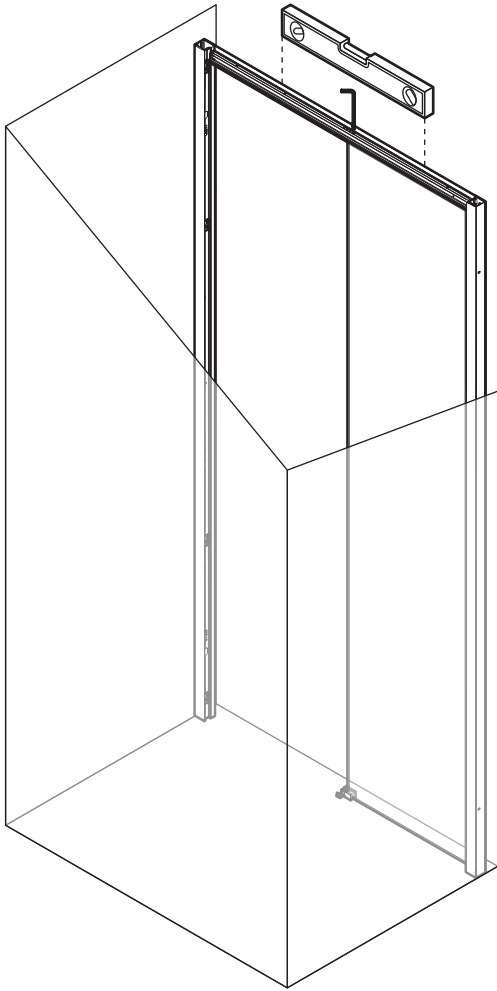


10

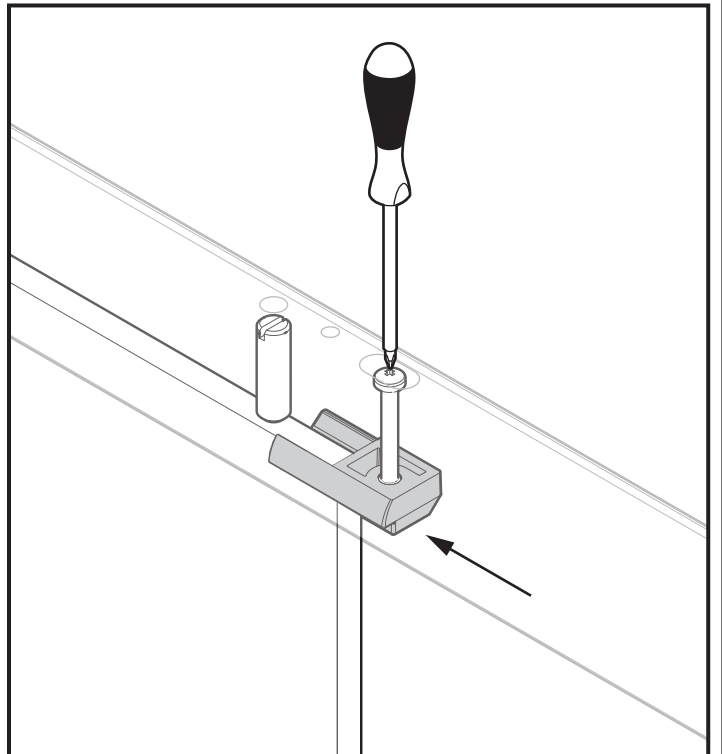
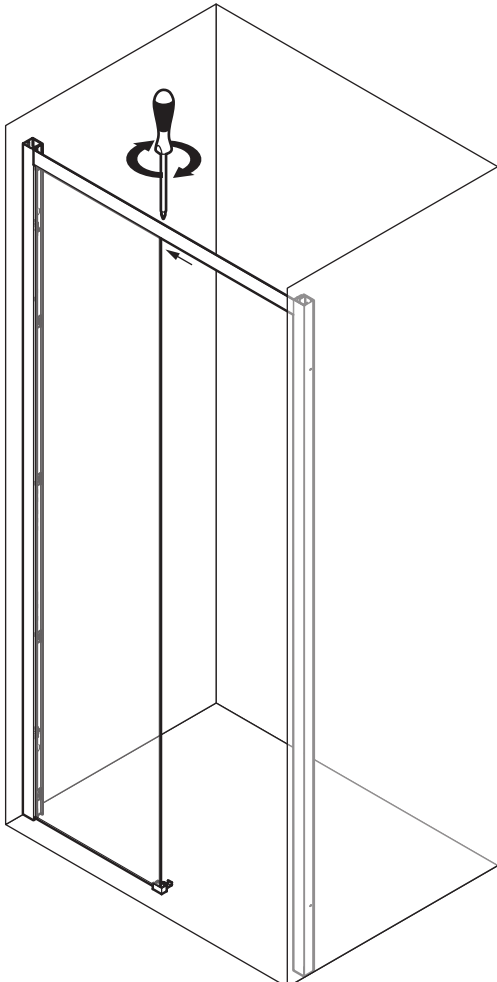



4x35 x2

11

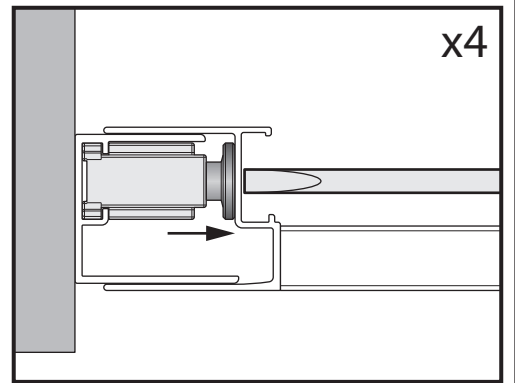
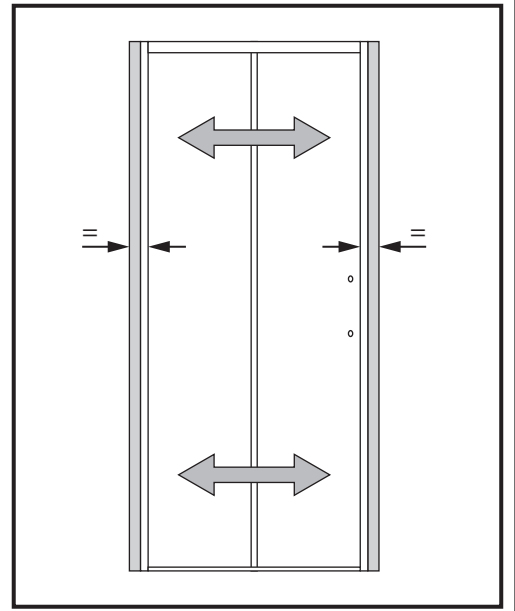
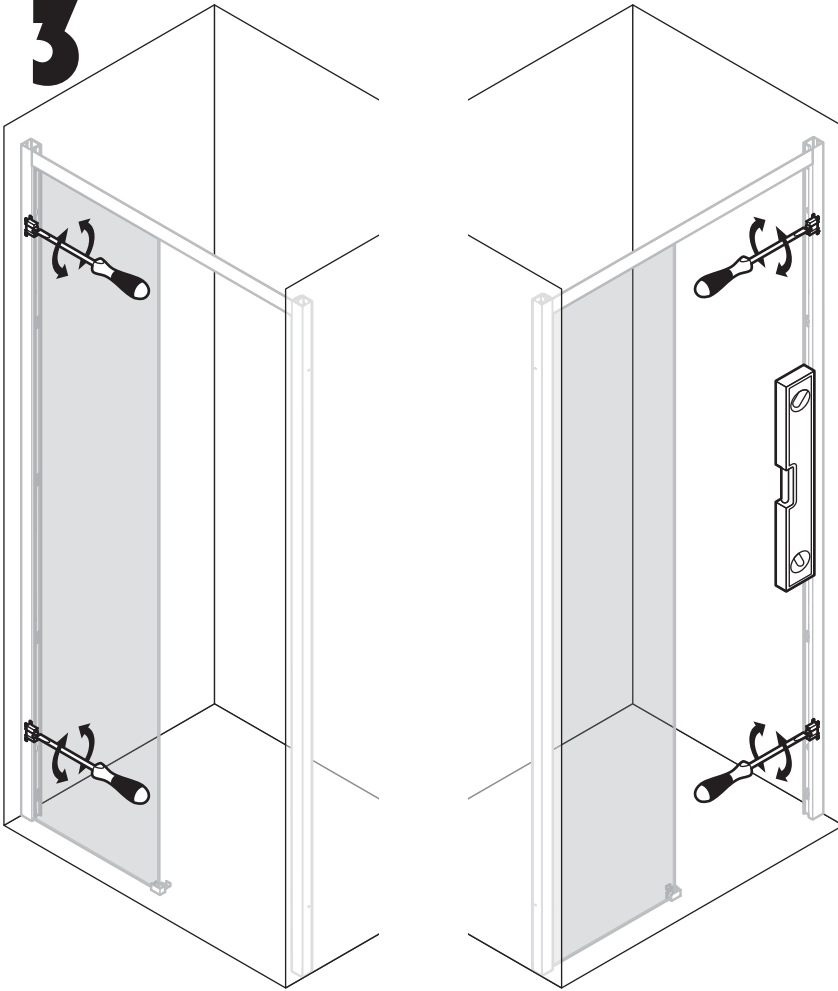


12

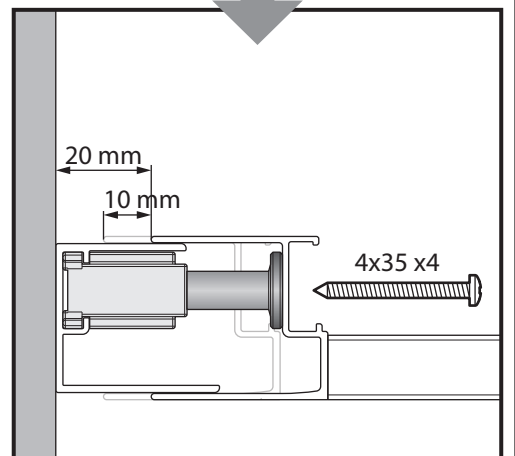
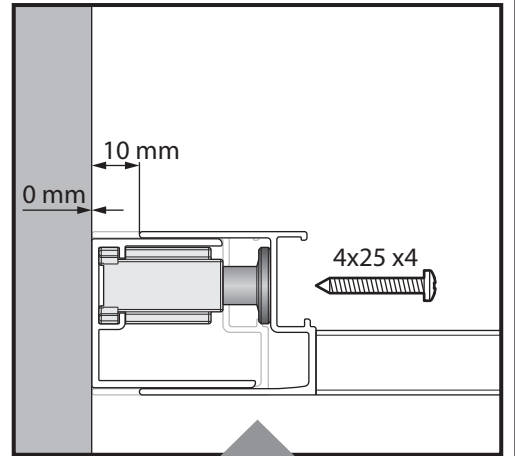
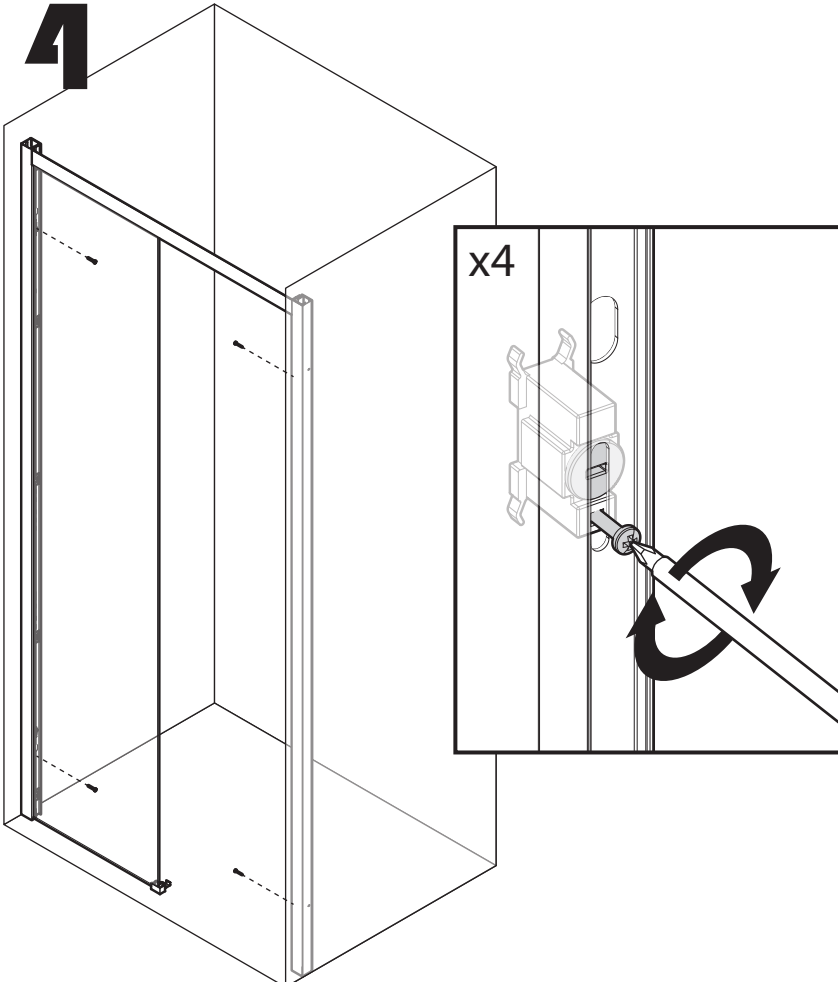


 M3x25 x1

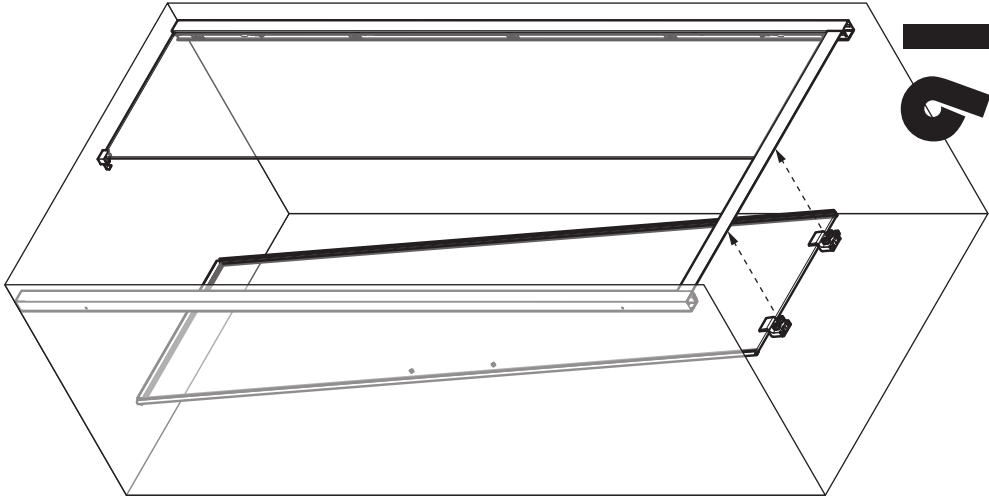
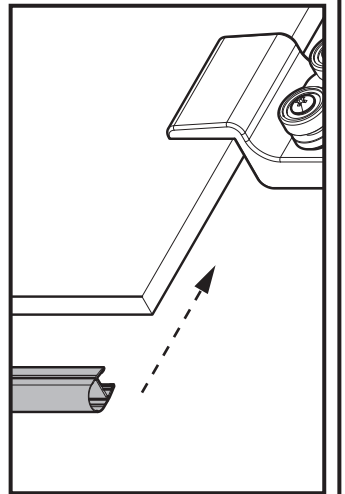
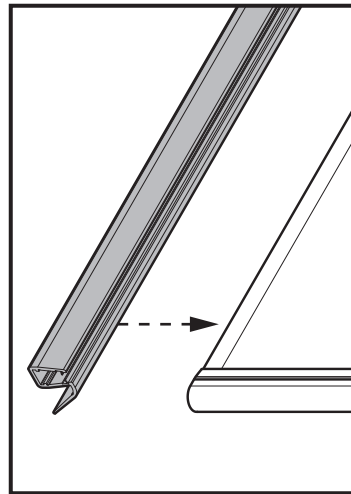
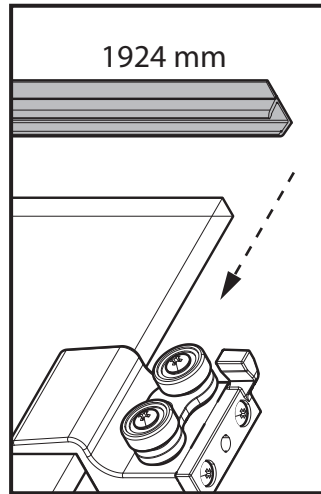
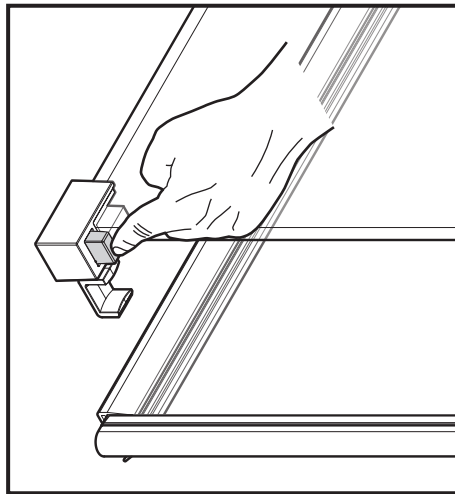
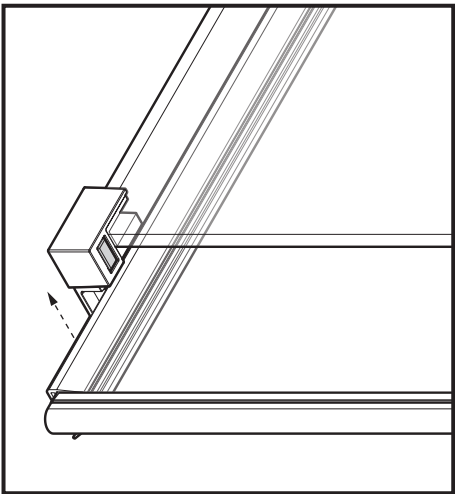
13



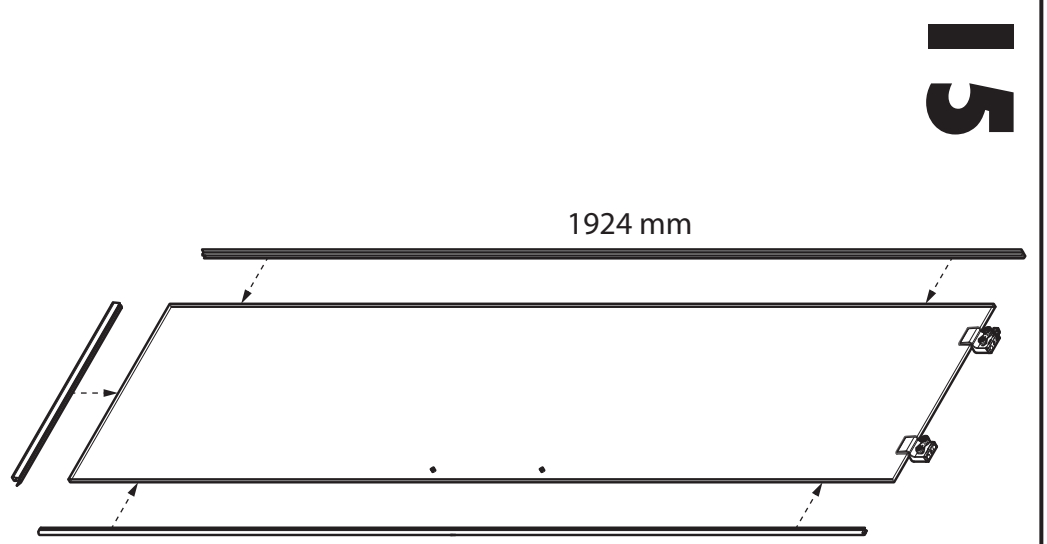
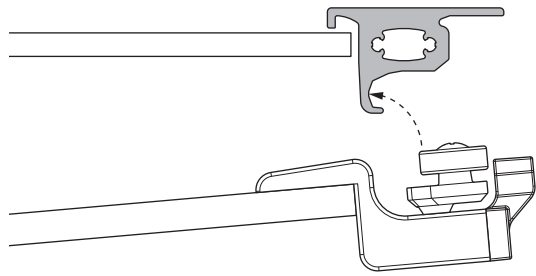
14



10

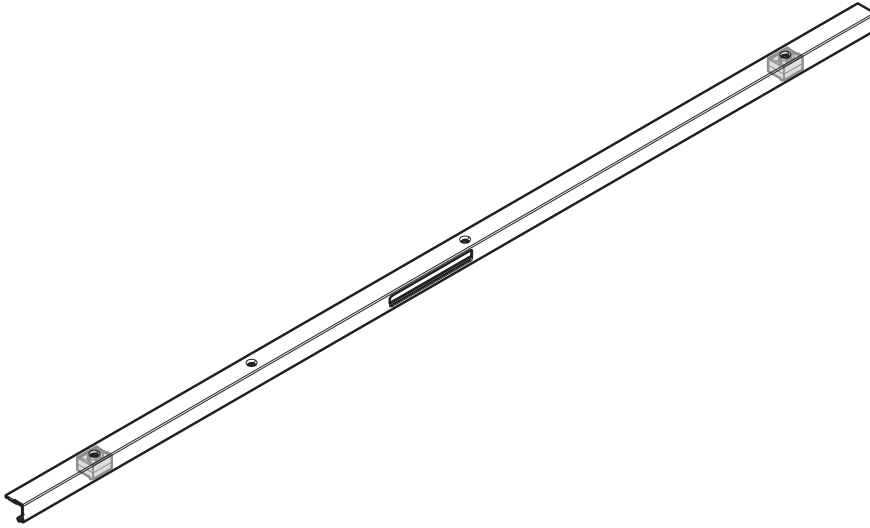


10

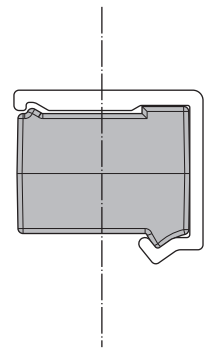
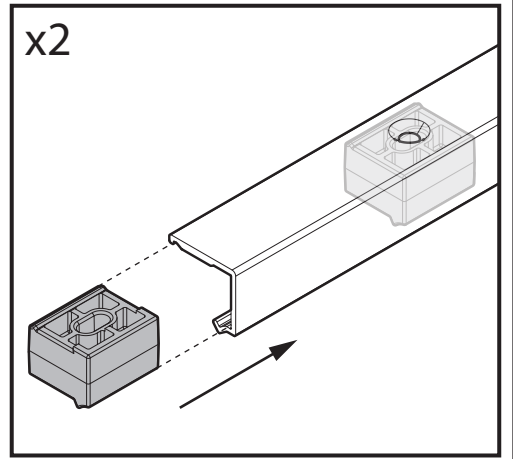


15

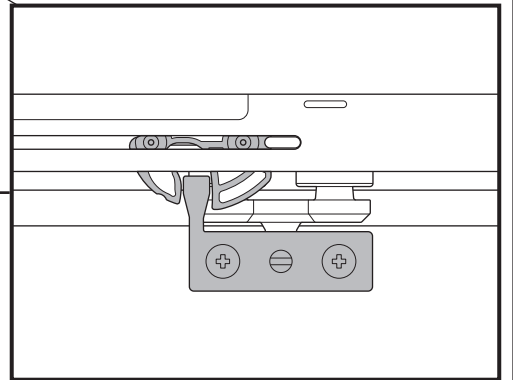
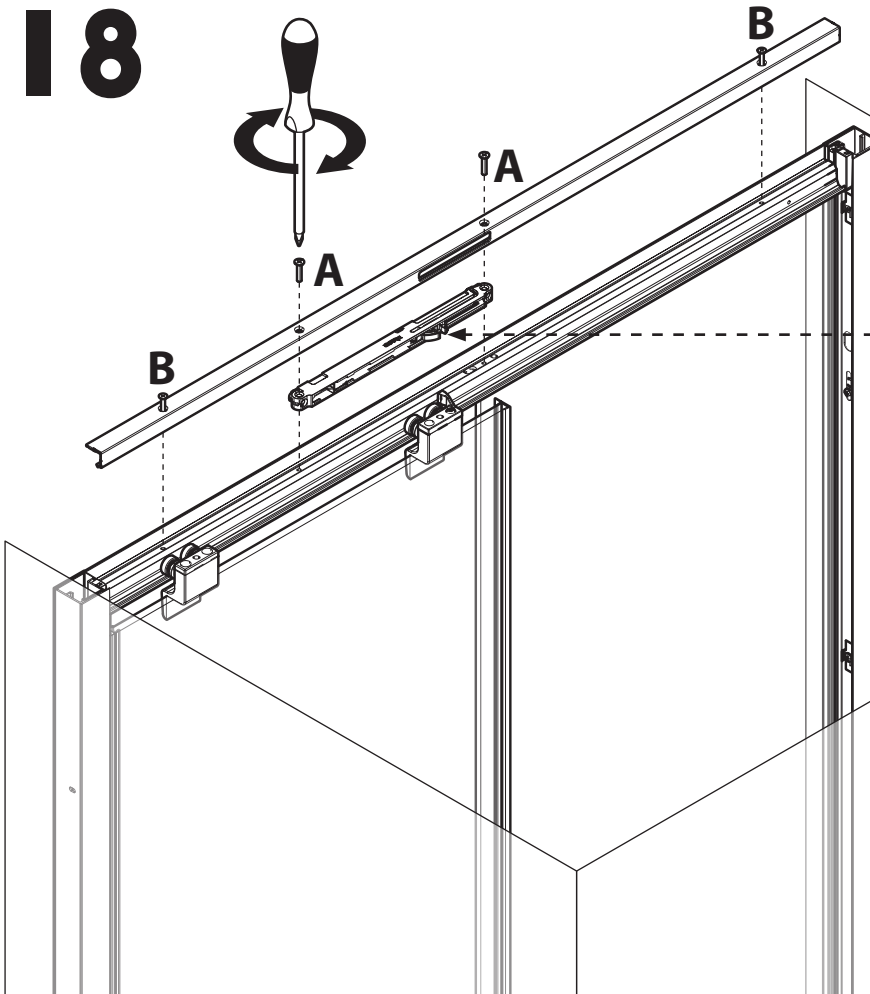
17



x2



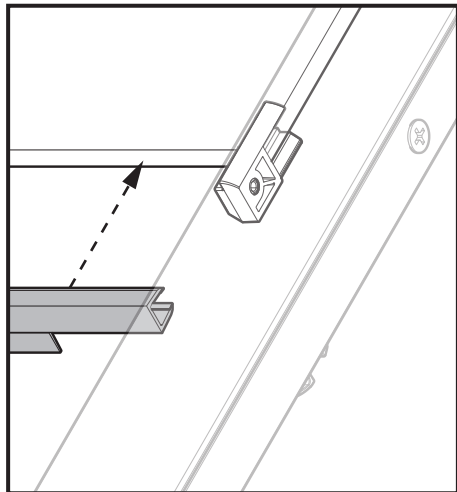
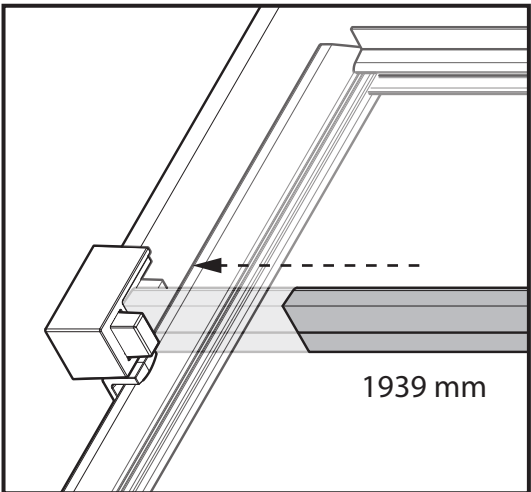
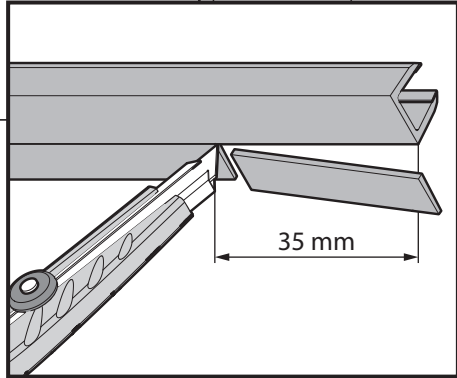
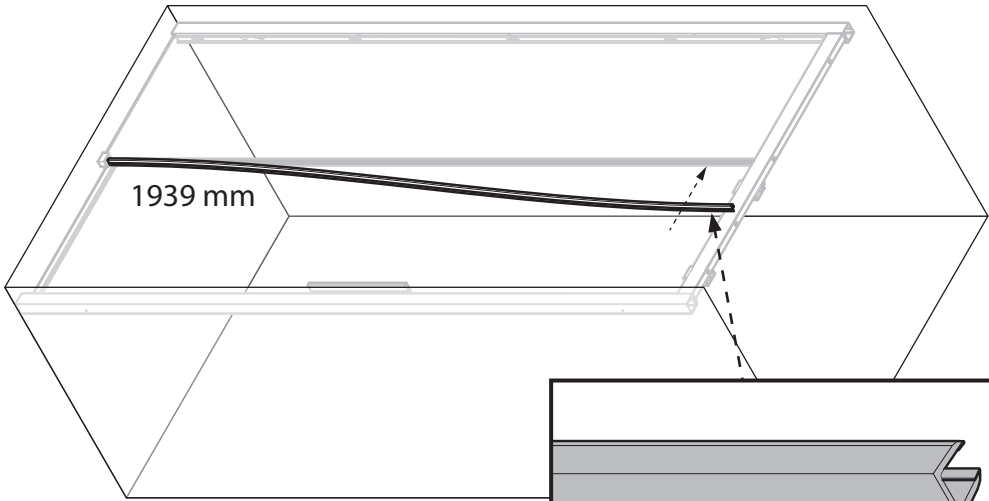
18



A M4x25 x2

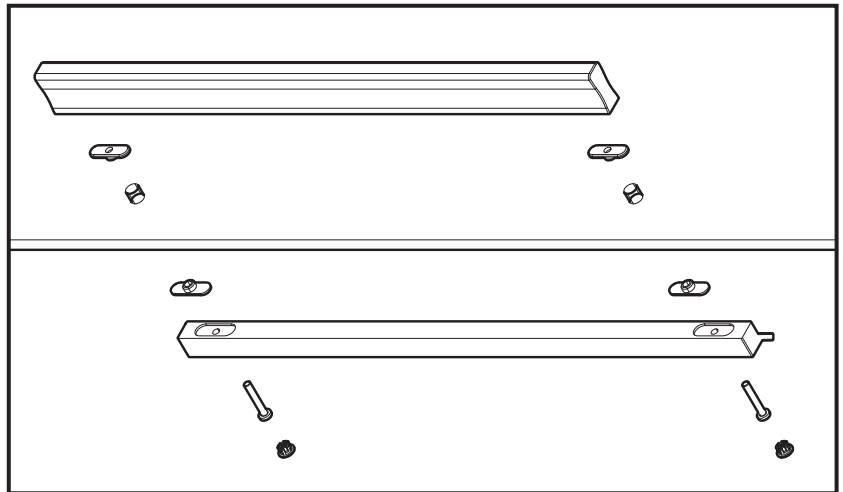
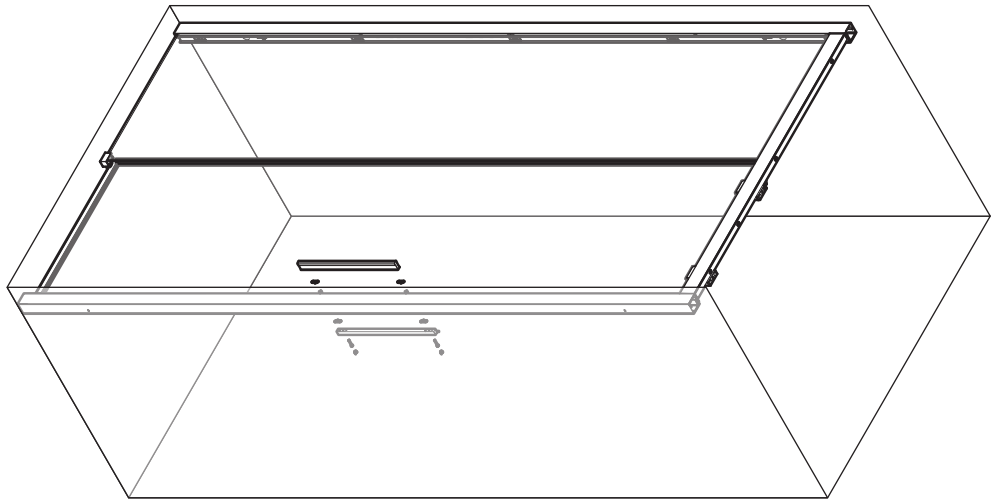
B 3,5x25 x2

20

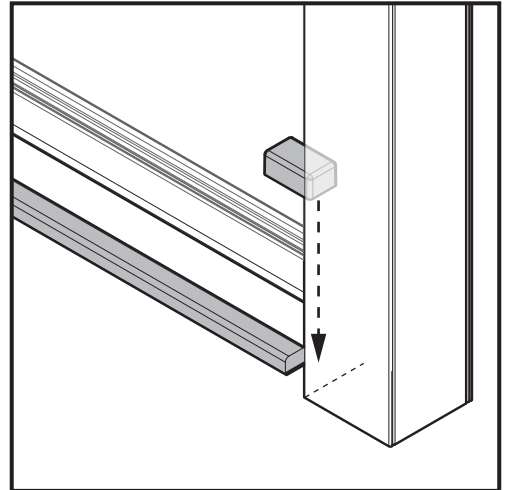
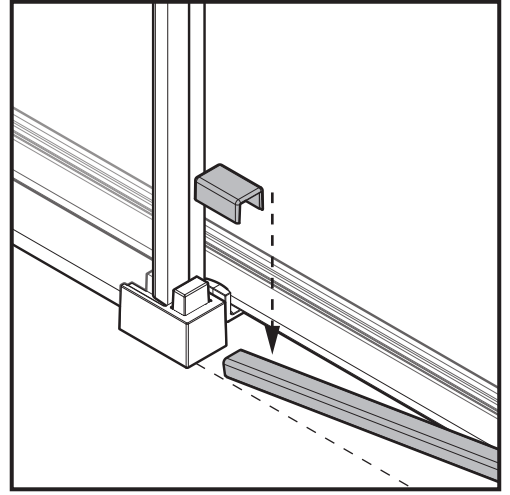
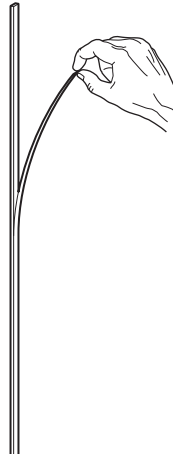
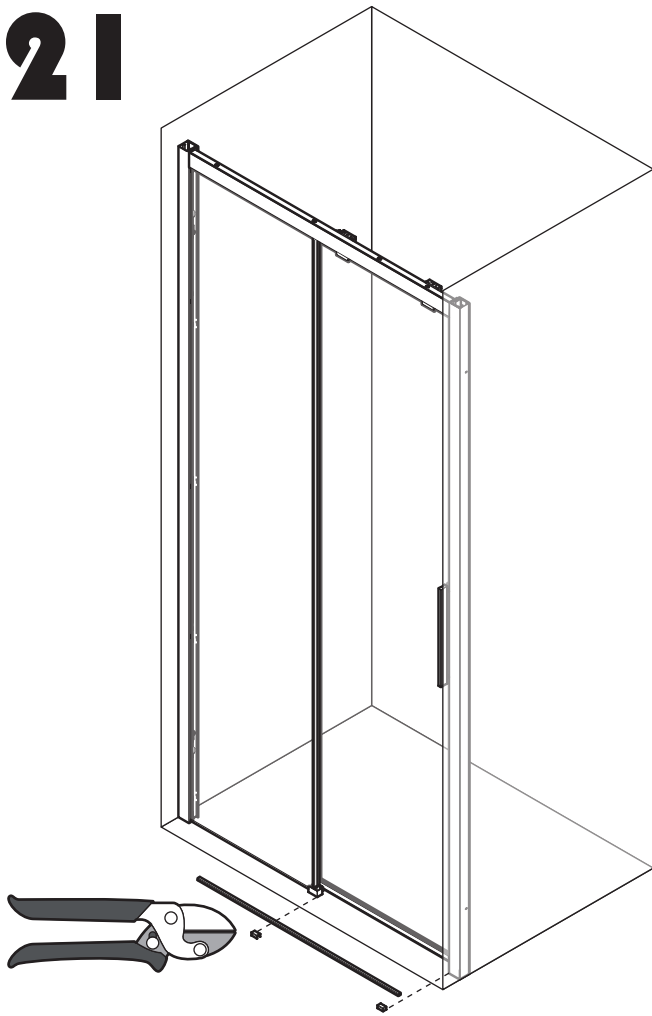


12

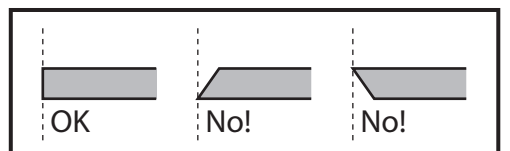
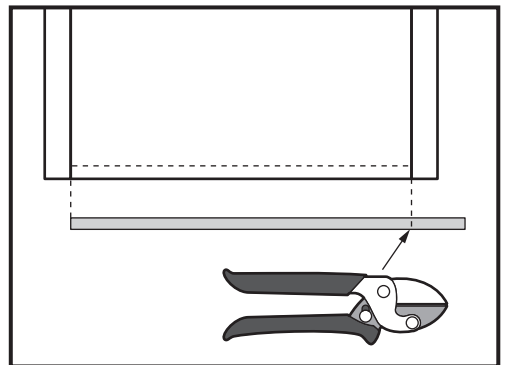
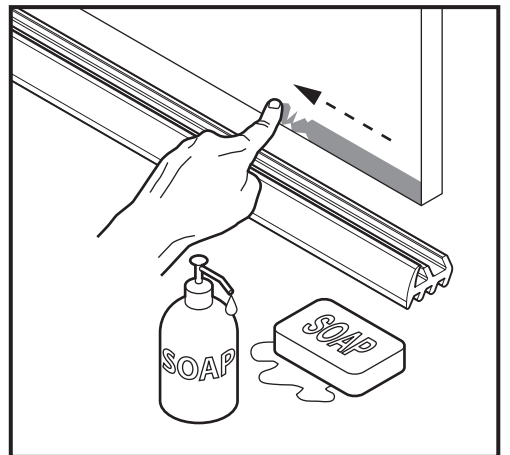
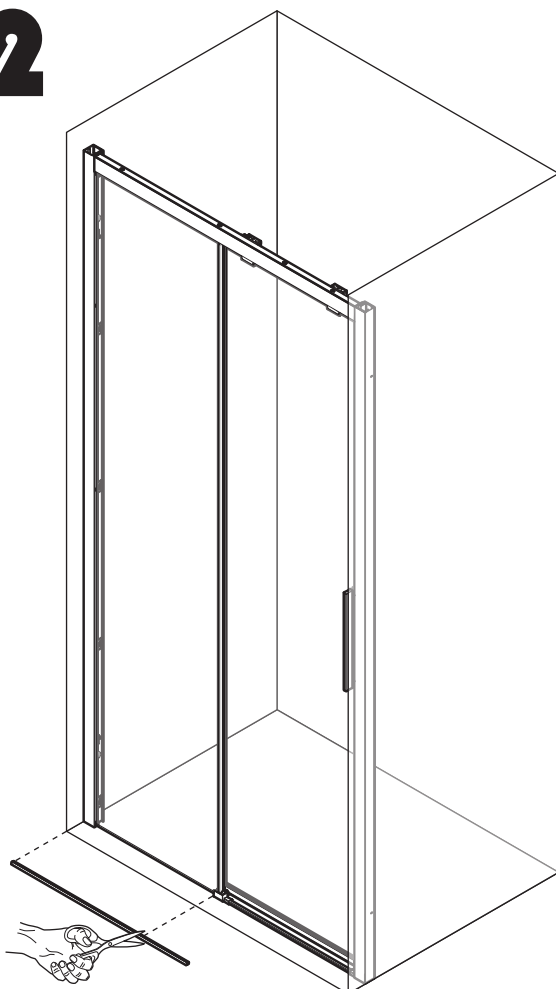
19



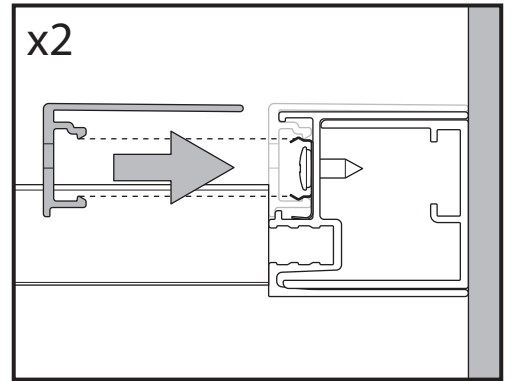
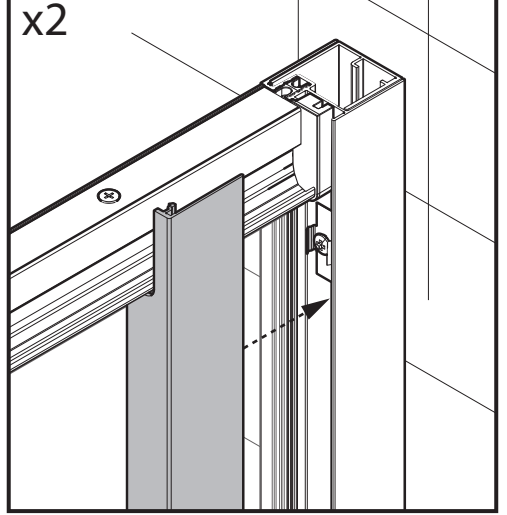
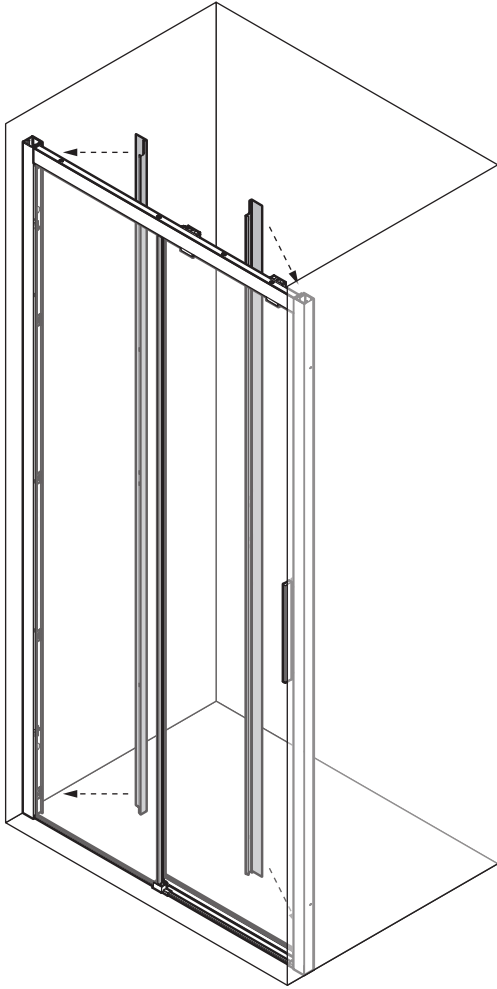
21



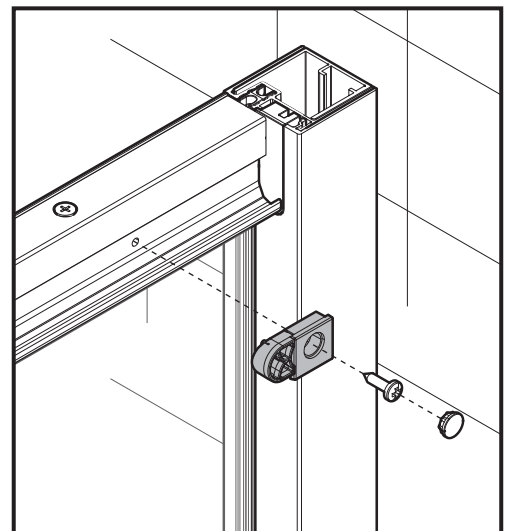
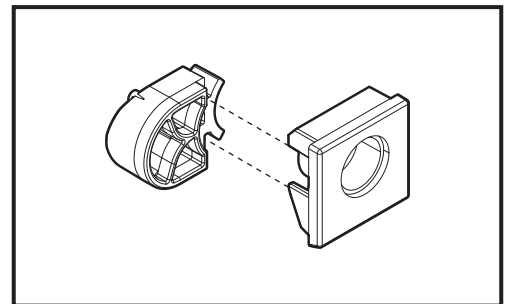
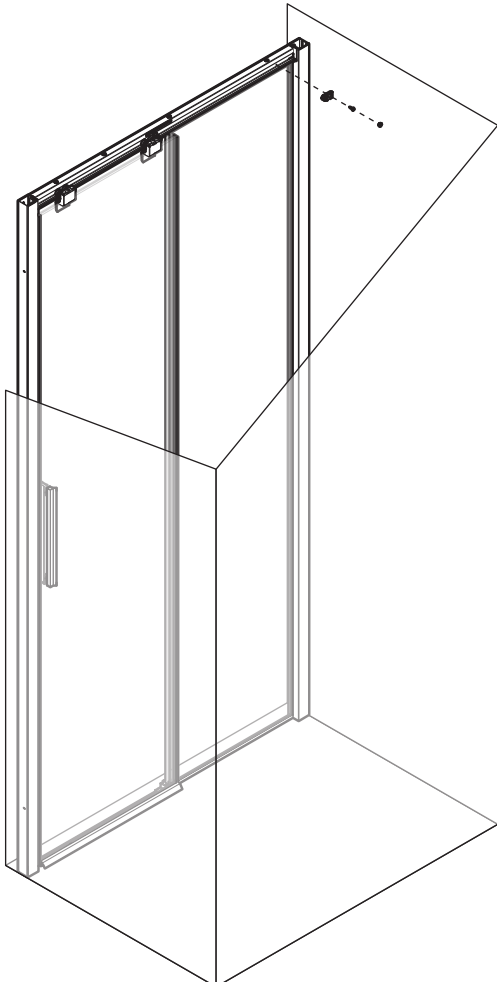
22



23

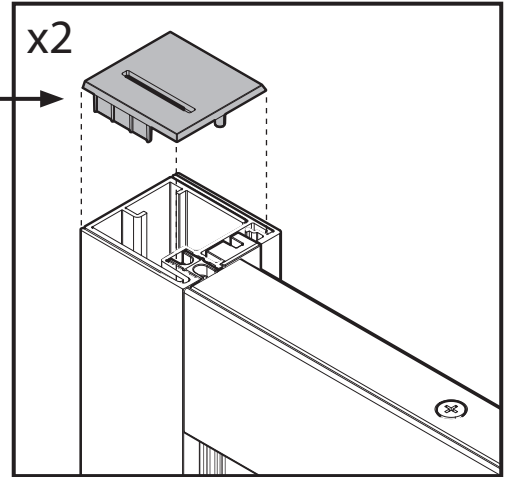
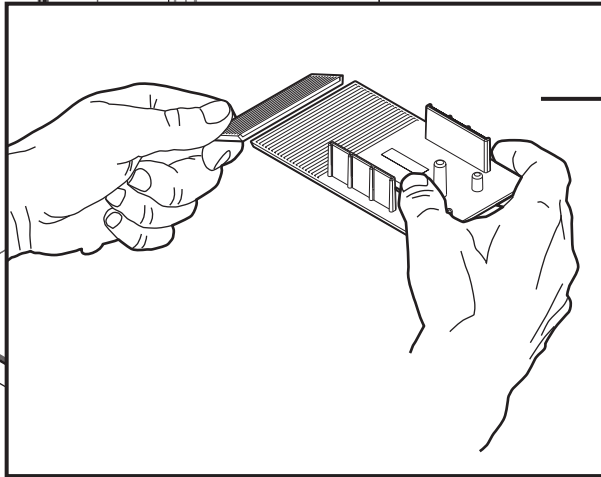
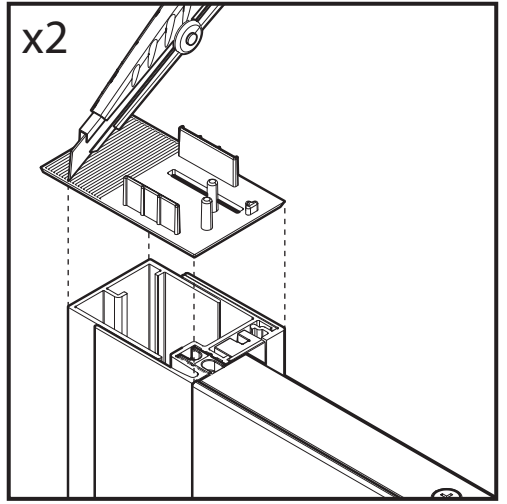
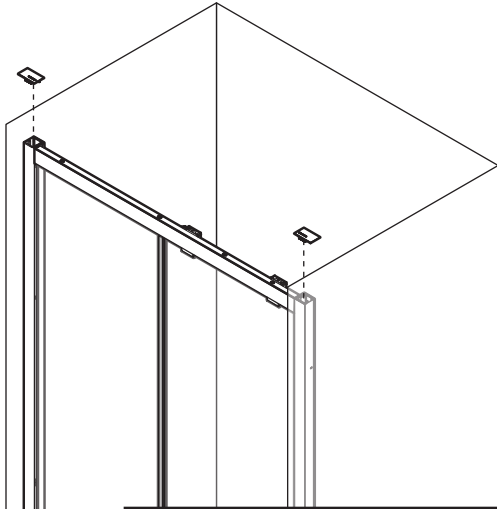


24

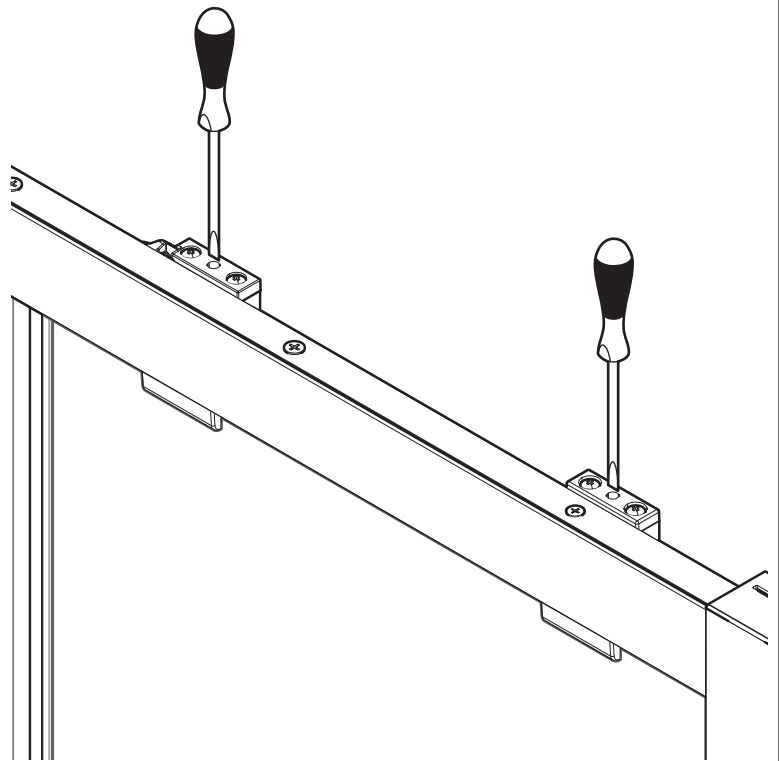
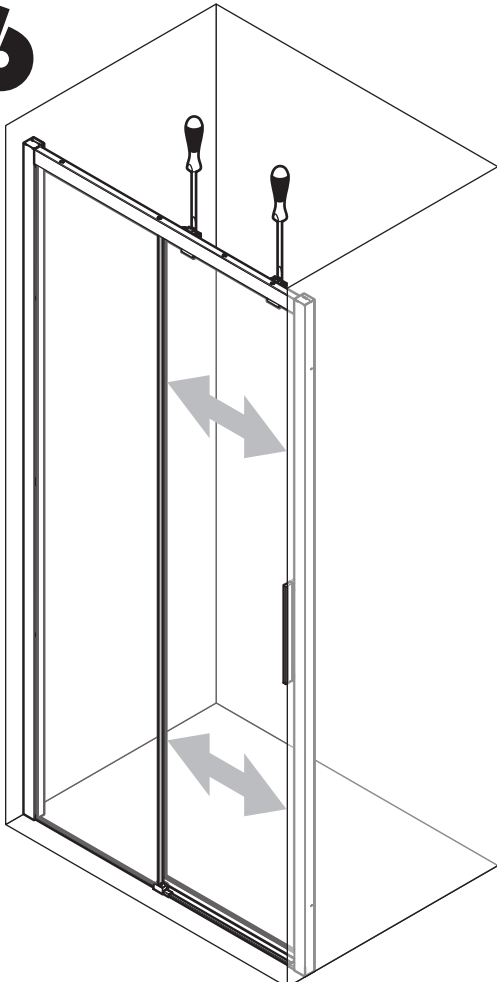


3,5x13 x1

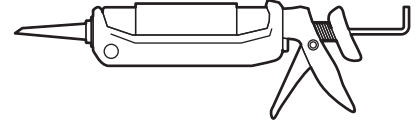
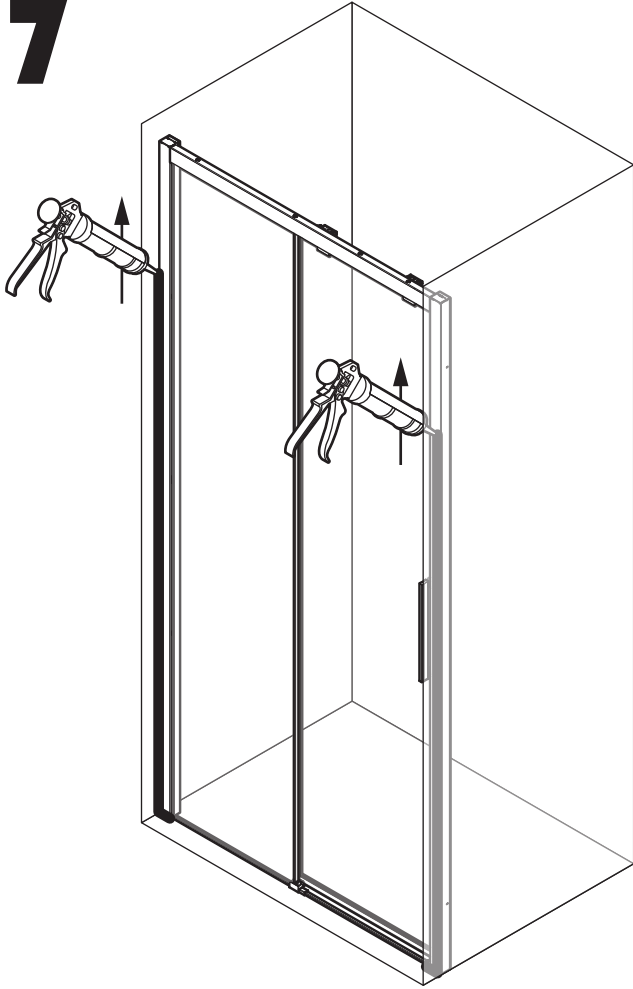
25



26



27



IT non acetico
FR non acétique
EN acetic-acid free
DE nicht essigsäurevernetzend
NL niet zuur
ES no acético
PT não acético
CS neoctový
SL ne oceten
HU nem ecetsavas
PL nie octowy
RU не уксусный
AR خالي من حمض الخل

