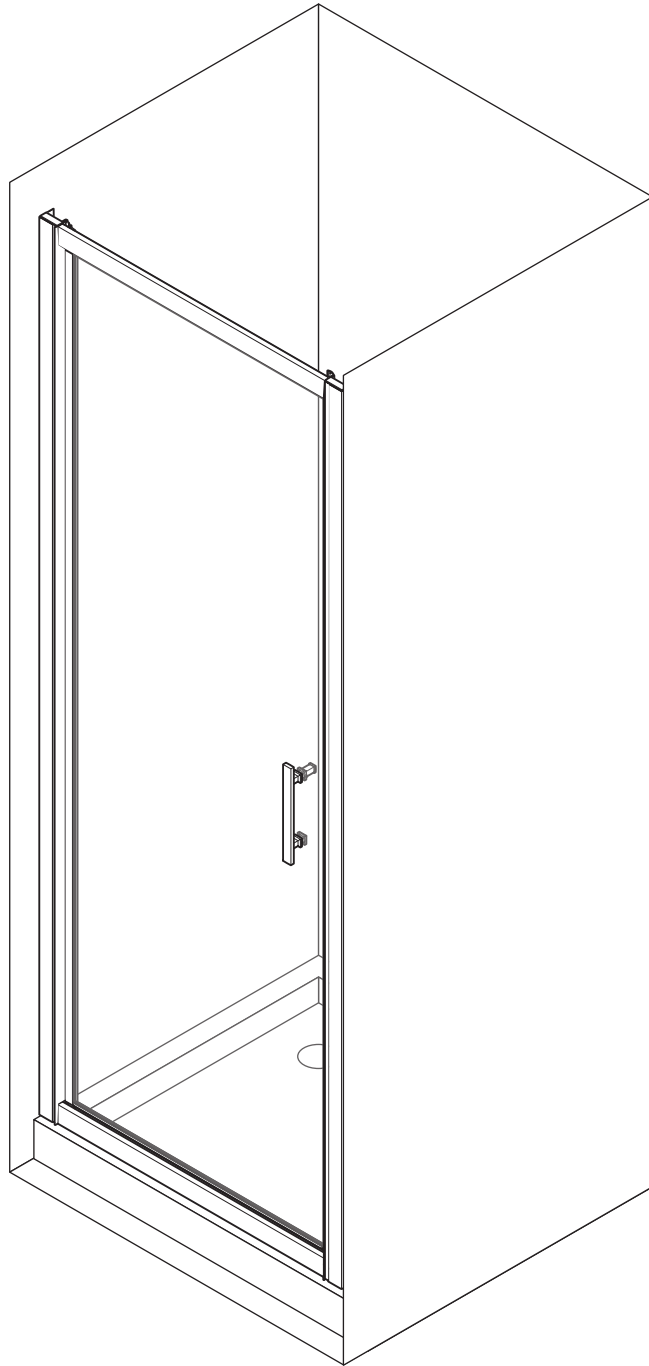
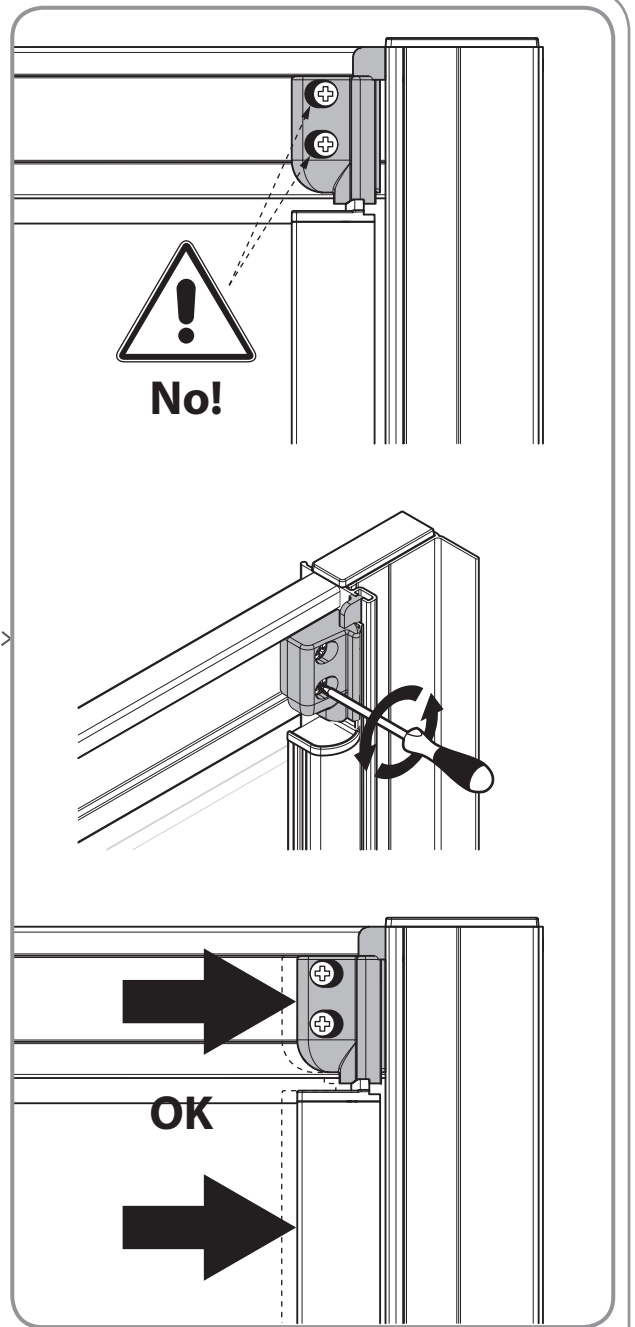
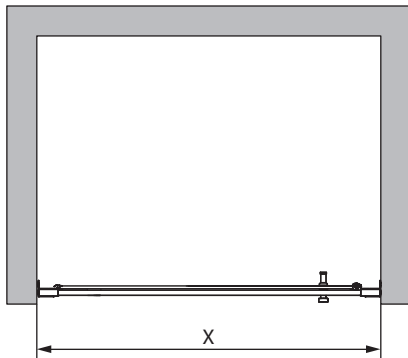
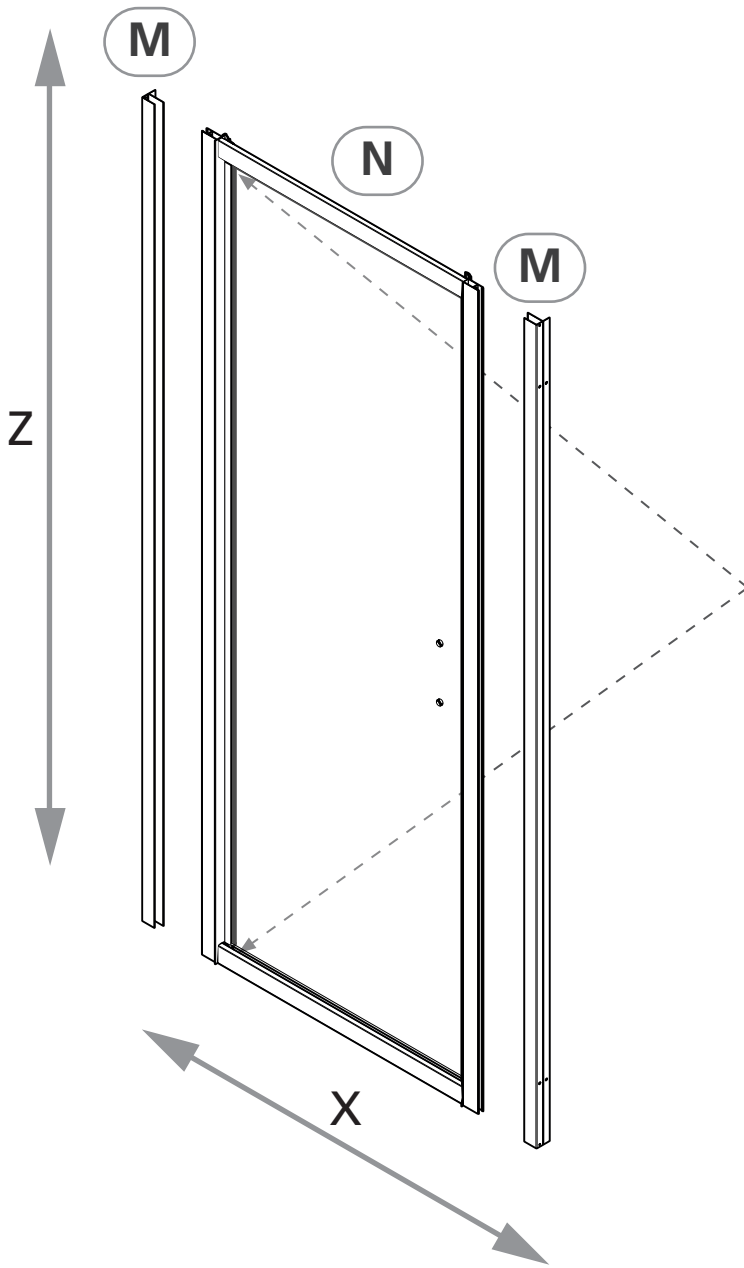


ZEPHYROS

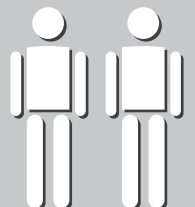
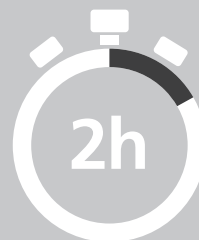
G

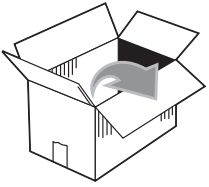


<hr/>	<hr/>
<hr/>	<hr/>
<hr/>	<hr/>
<hr/>	<hr/>

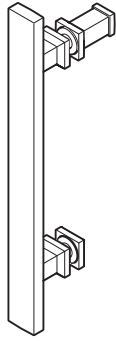


G66	X=66-72 cm	Z=195 cm
G72	X=72-78 cm	Z=195 cm
G76	X=76-82 cm	Z=195 cm
G86	X=86-92 cm	Z=195 cm
G96	X=96-102 cm	Z=195 cm

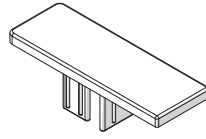




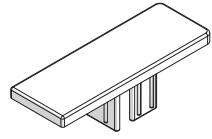
B1



B2

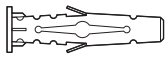


B3



C1

x4



C2

x4



4X35 mm

C5

x4



3,5x9,5 mm

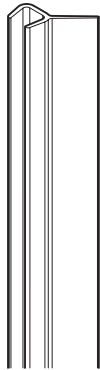
C6

x6

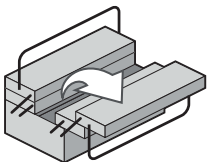
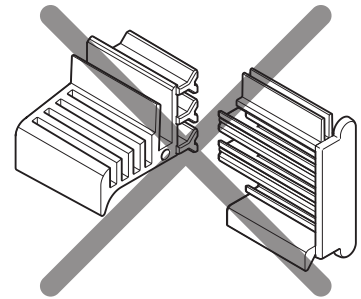


D1

x1



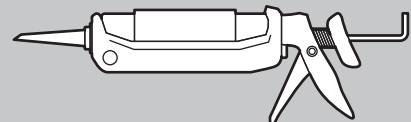
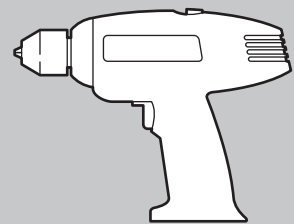
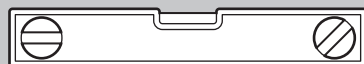
x2



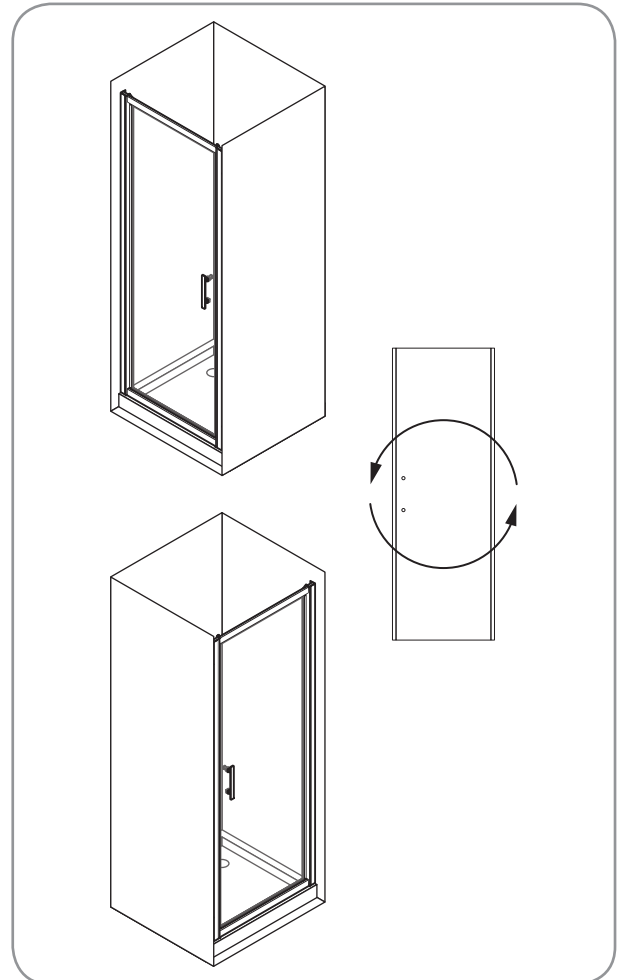
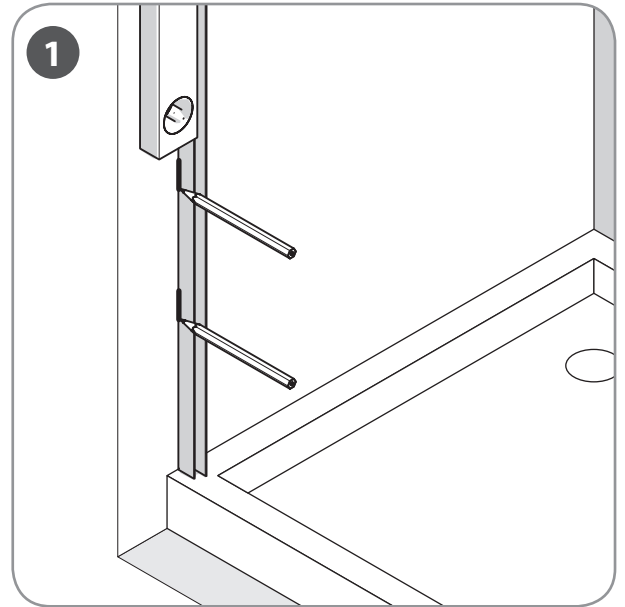
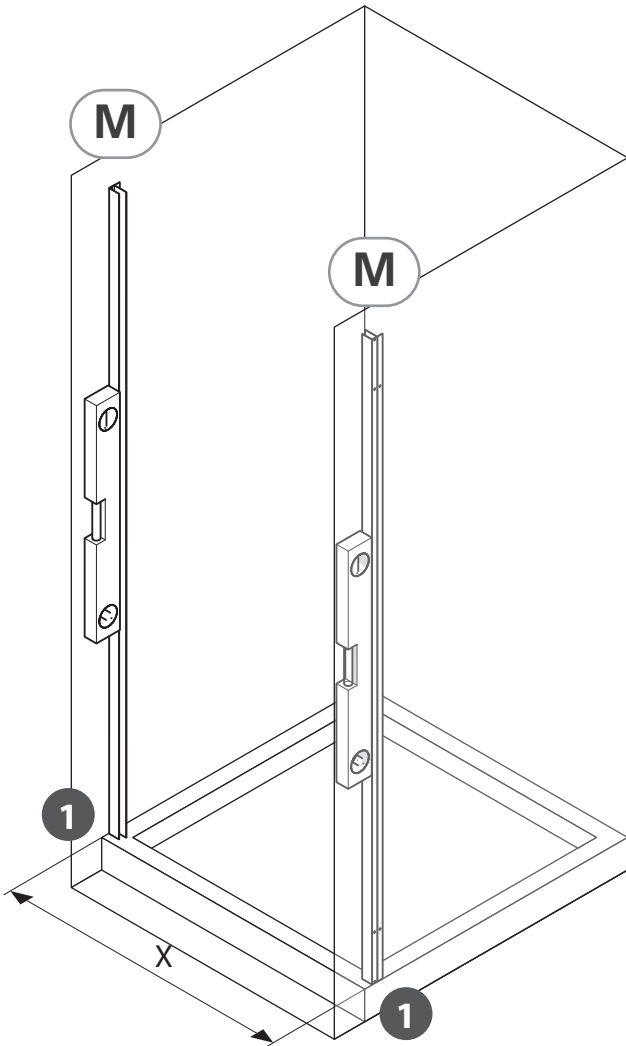
ø6 mm



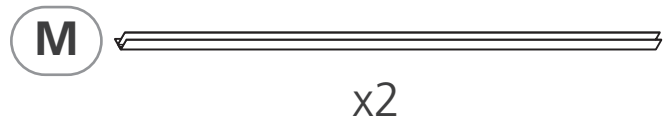
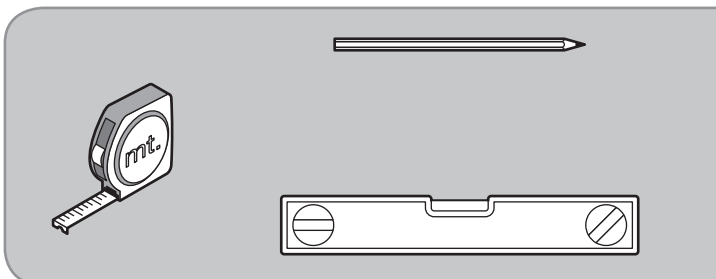
ø3 mm

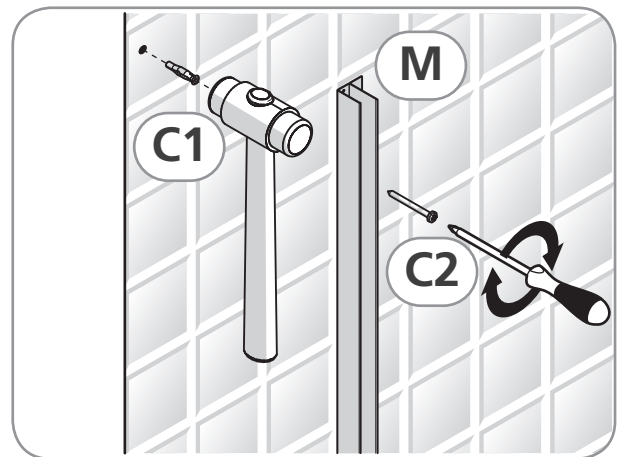
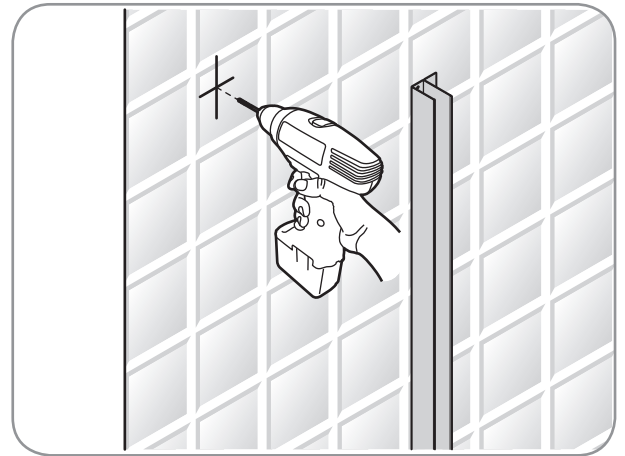
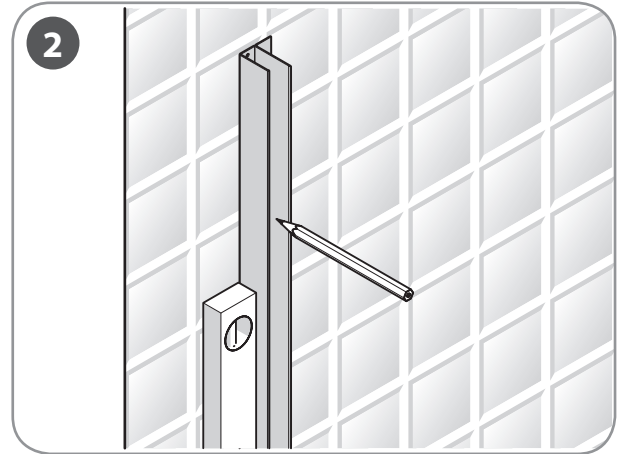
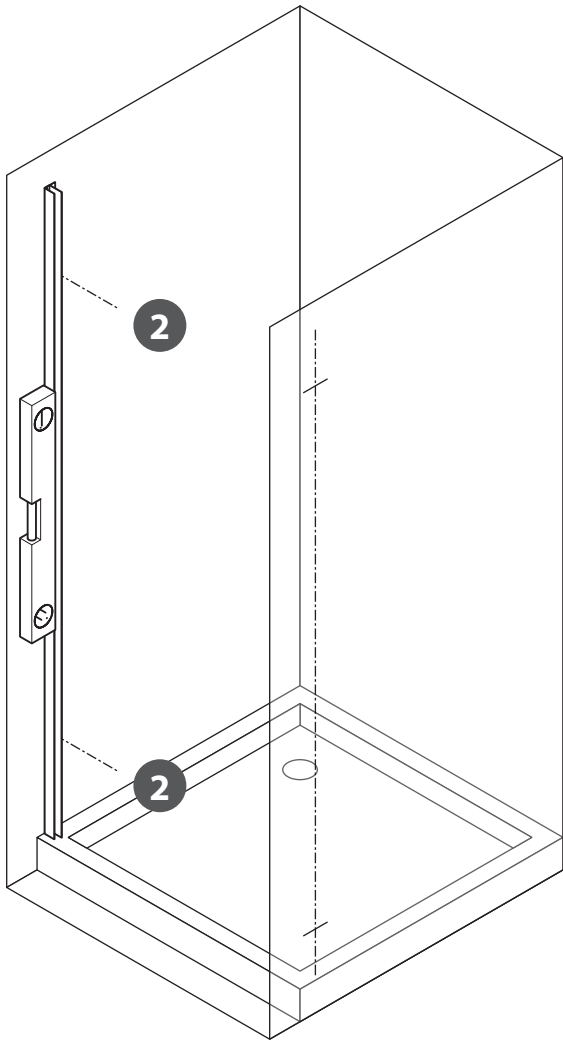


1

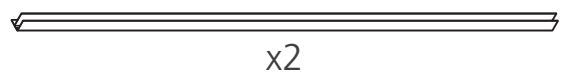


G66	X=66-72 cm
G72	X=72-78 cm
G76	X=76-82 cm
G86	X=86-92 cm
G96	X=96-102 cm



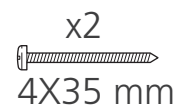


M



x2

C2

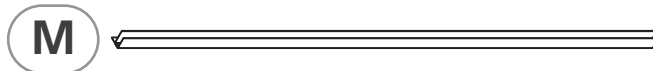
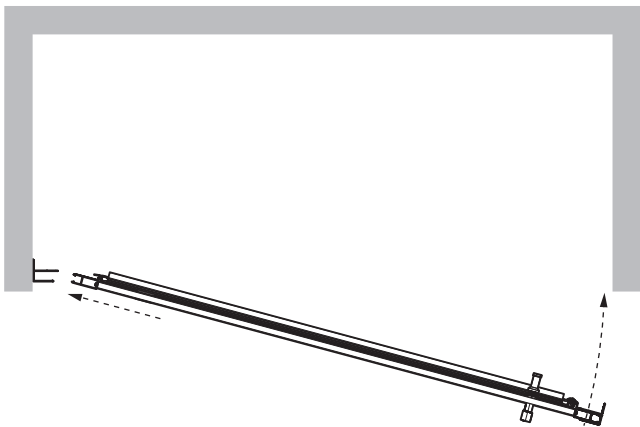
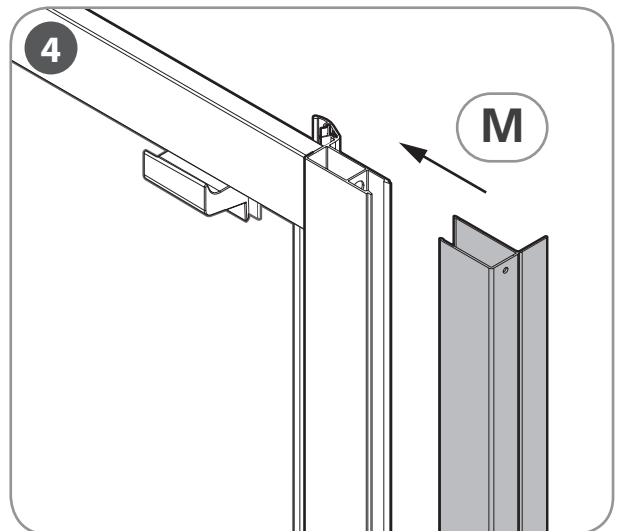
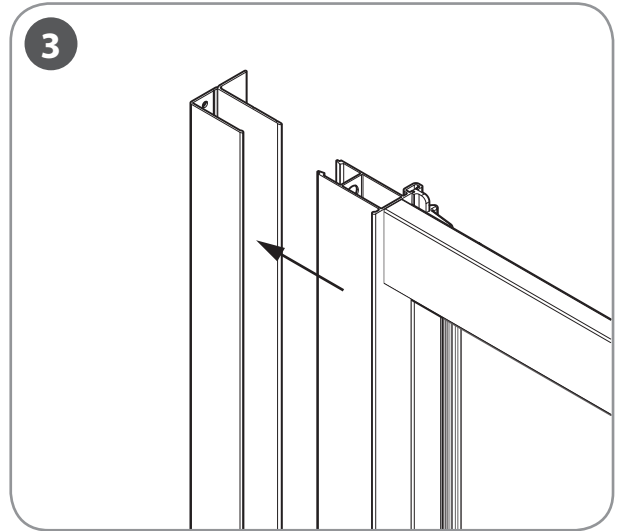
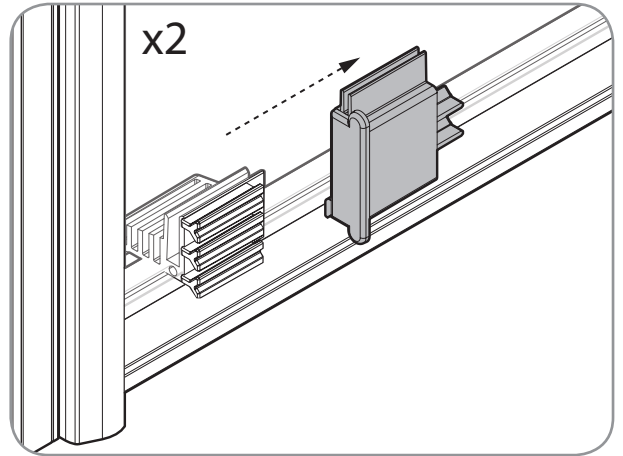
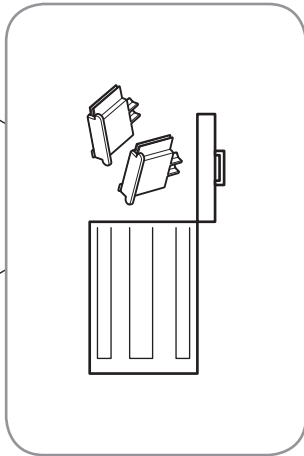
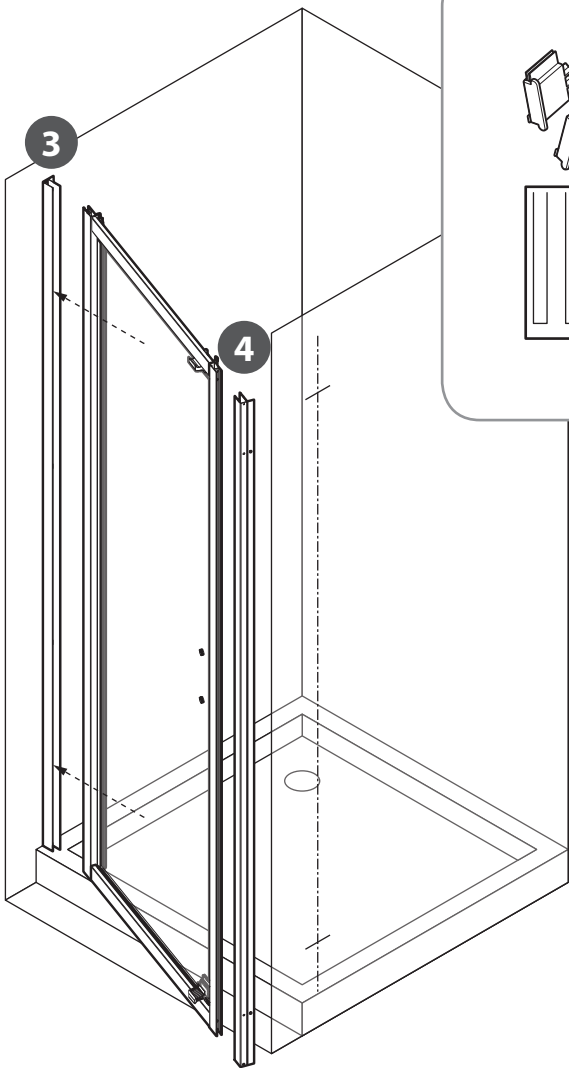


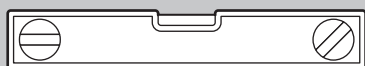
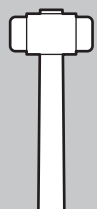
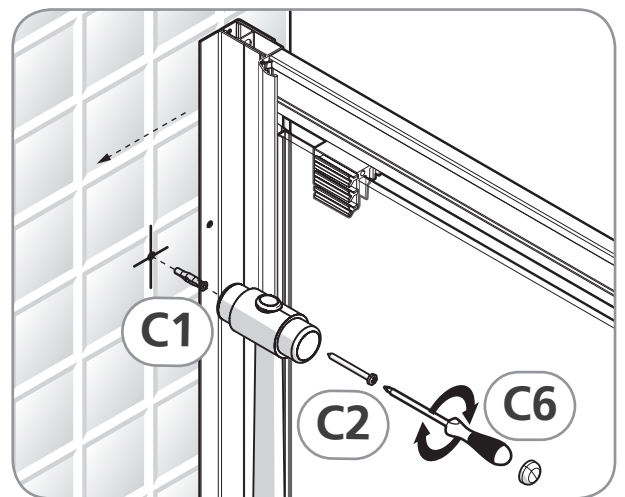
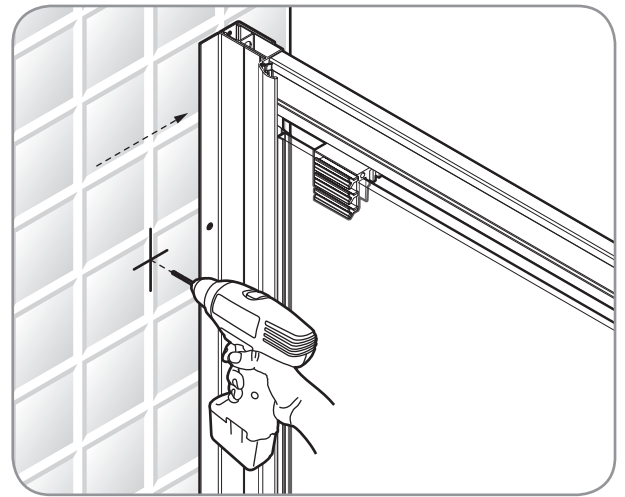
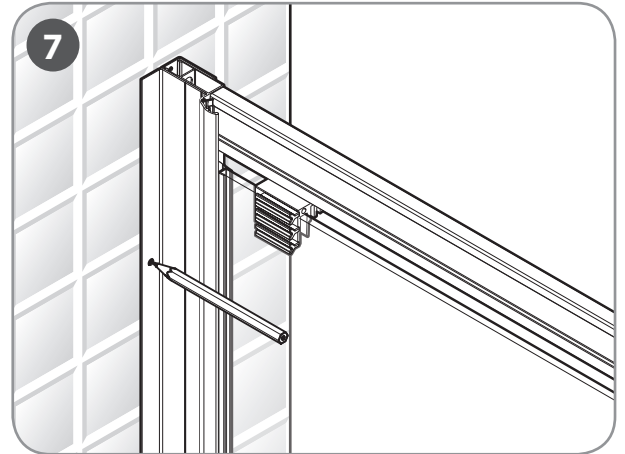
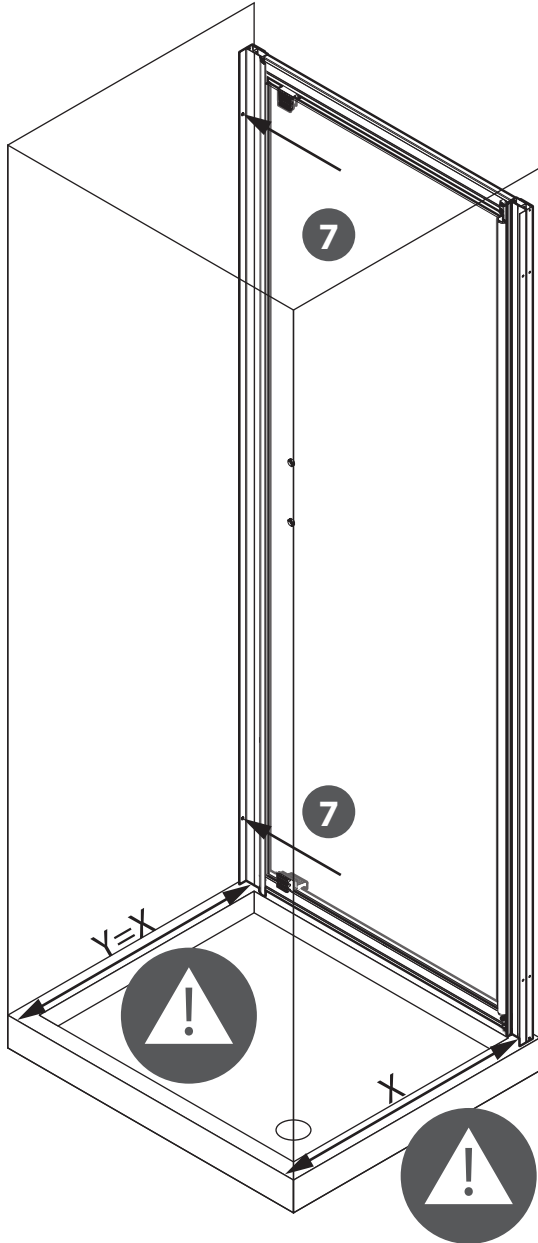
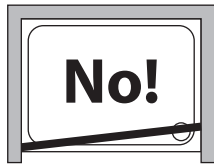
x2

C1



3



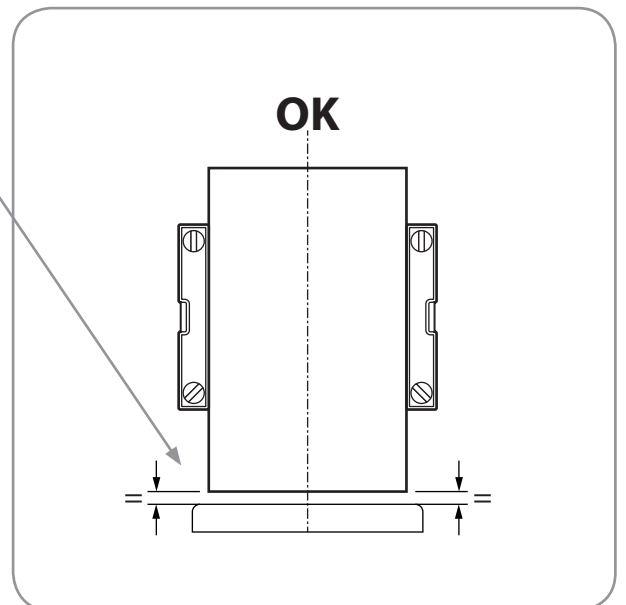
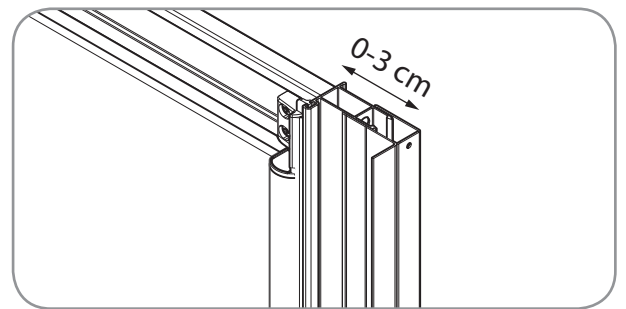
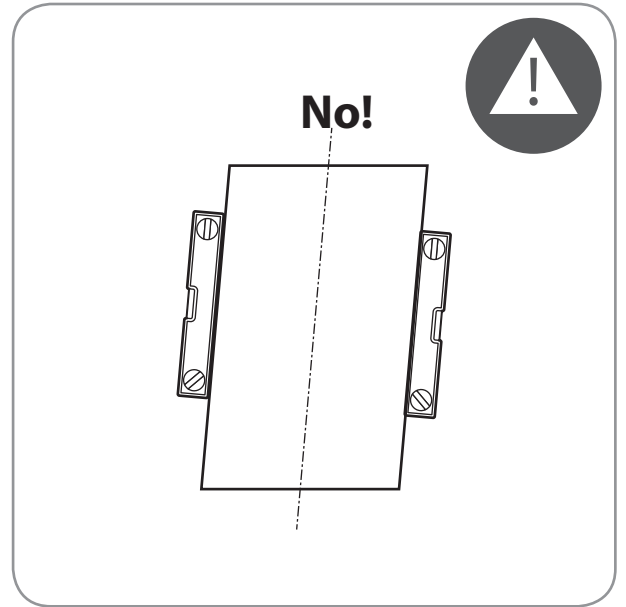
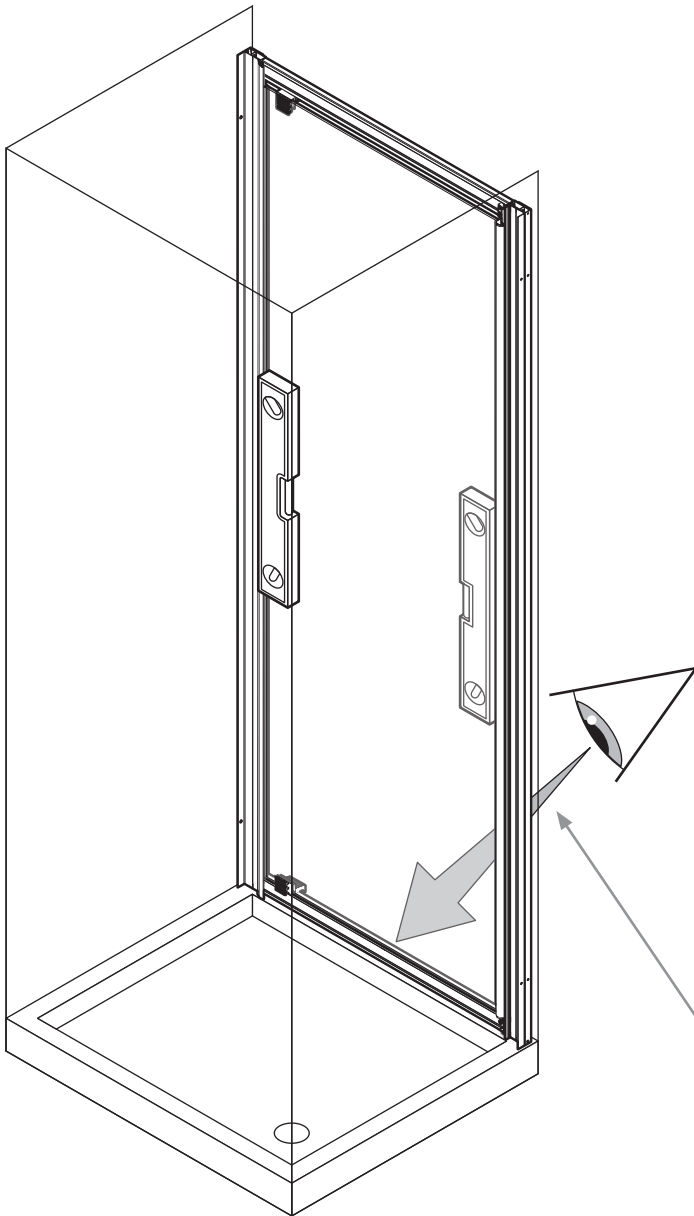





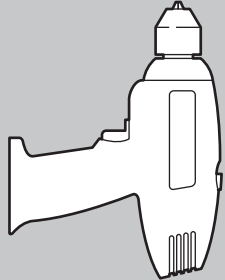
C2 x2
4X35 mm





C1 x2

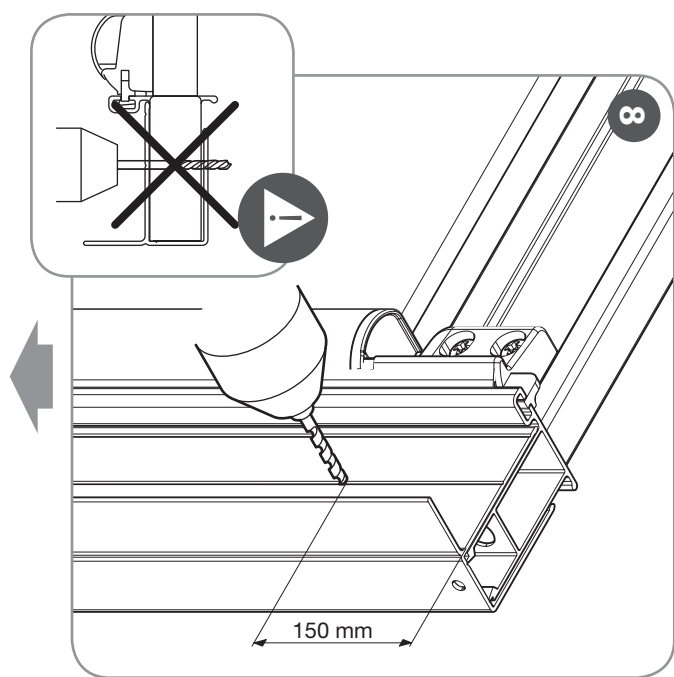
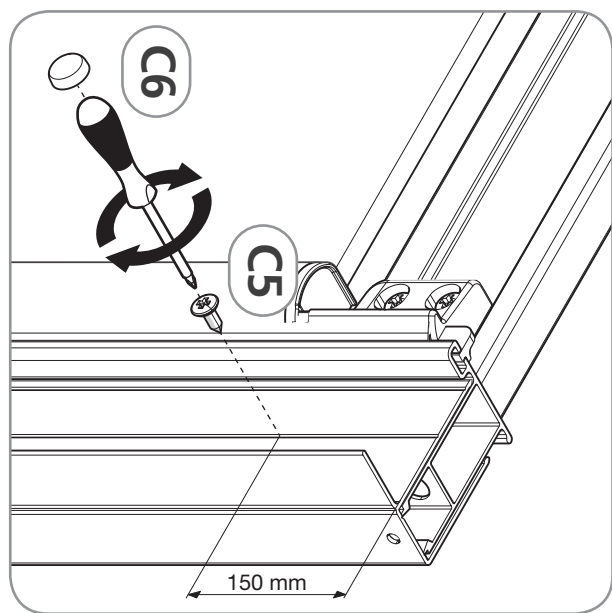
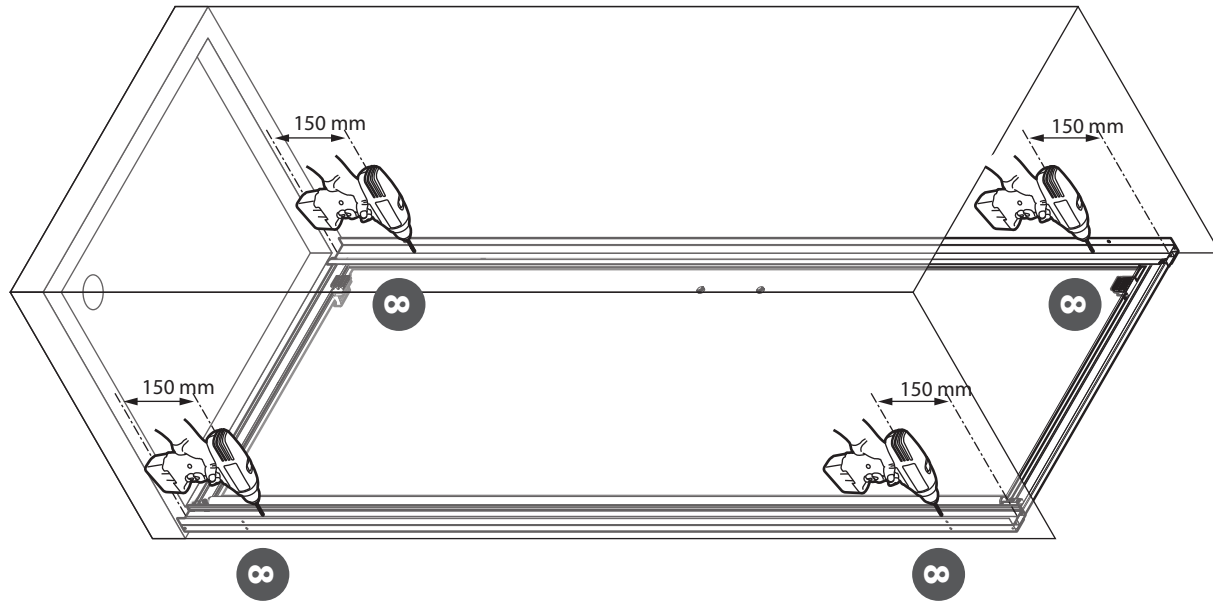
C6 x2

5

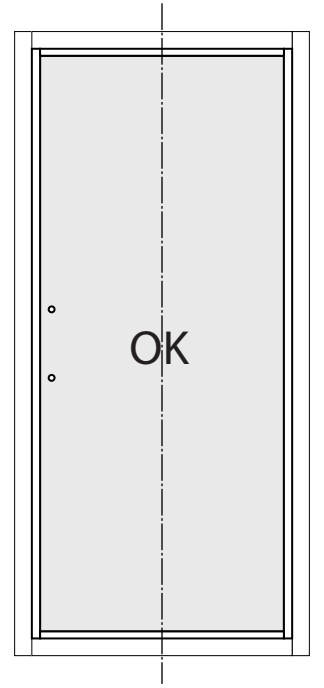
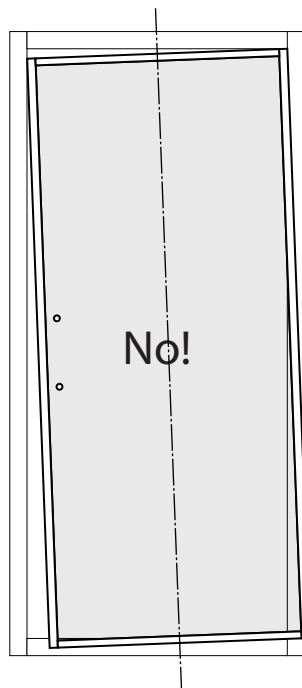
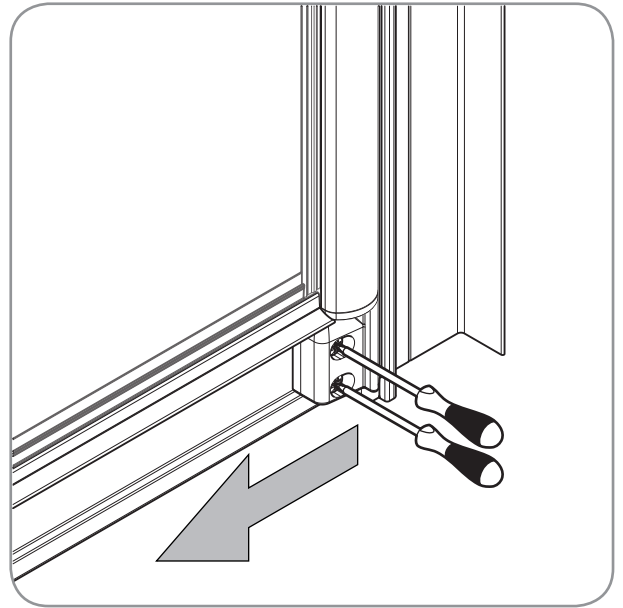
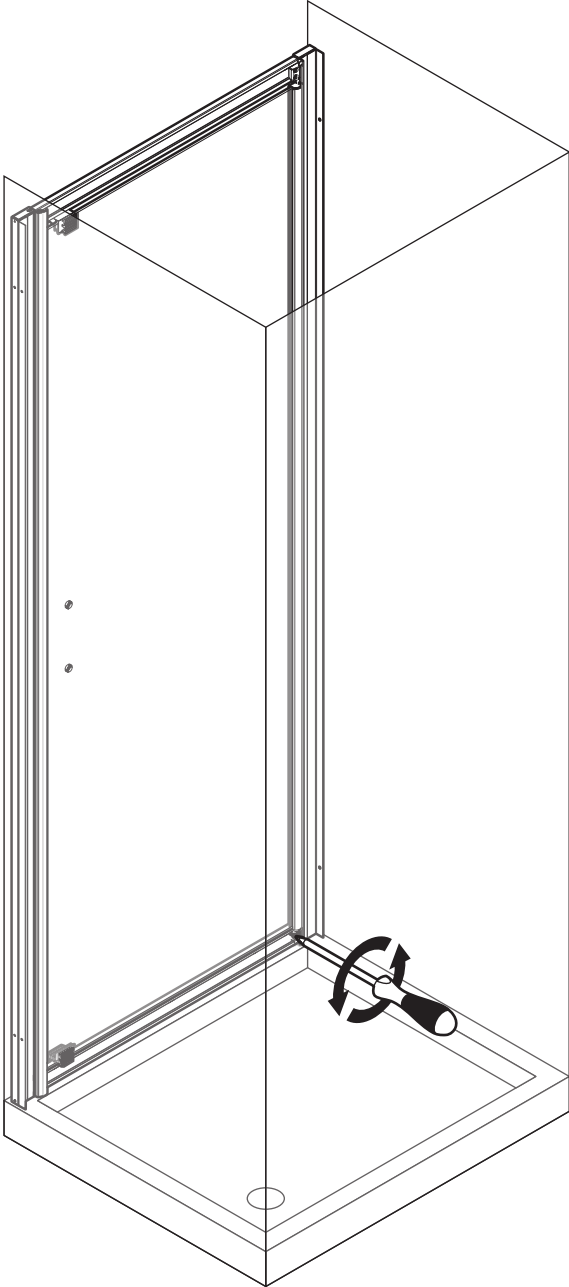


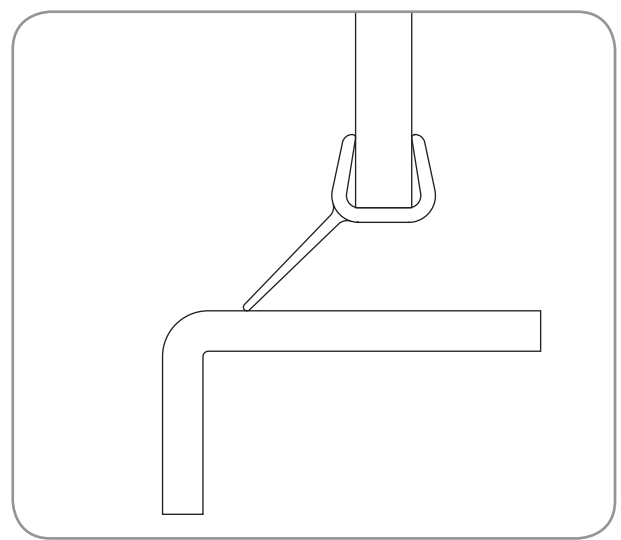
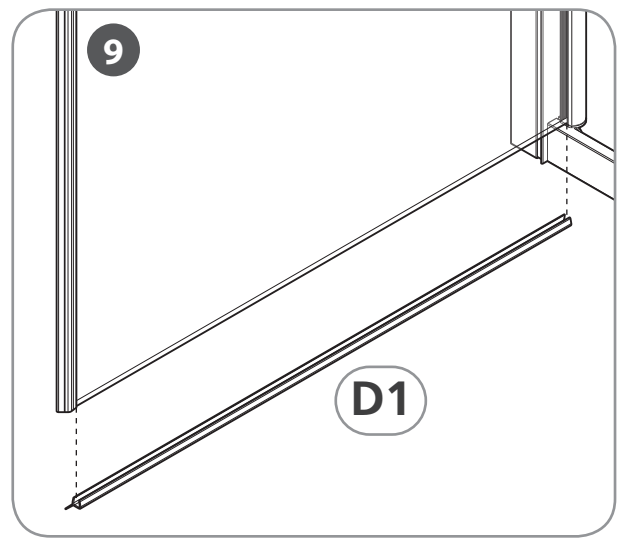
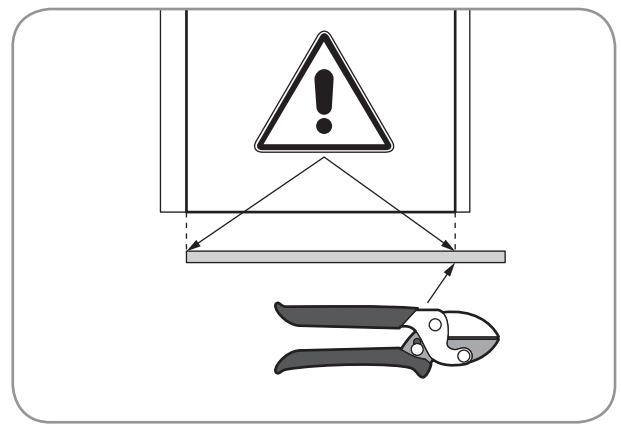
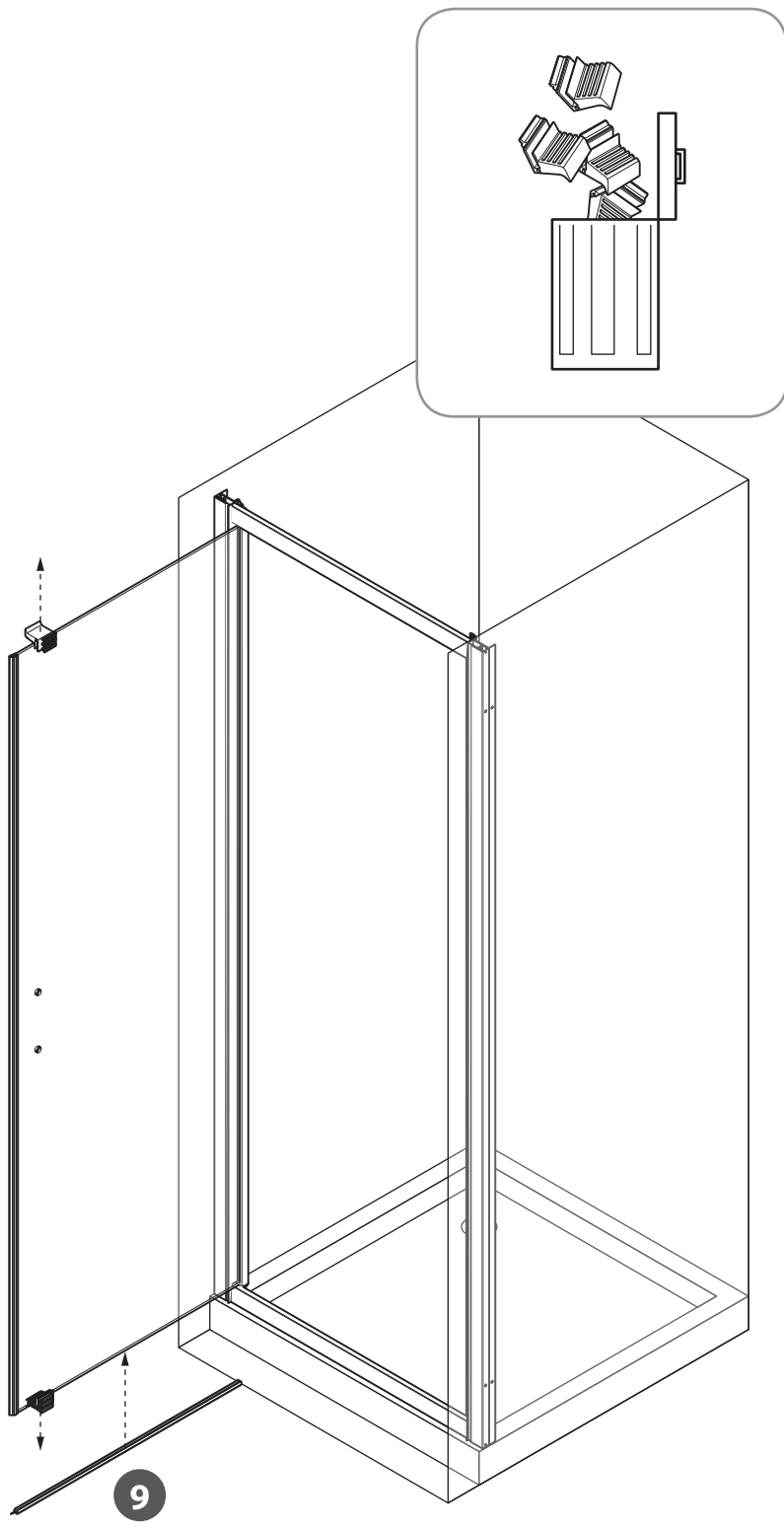
 $\varnothing 3 \text{ mm}$




 C5
 3,5x9,5 mm
 X4
 C6
 X4

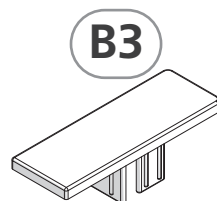
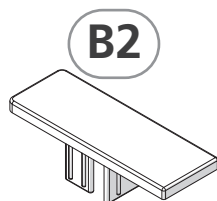
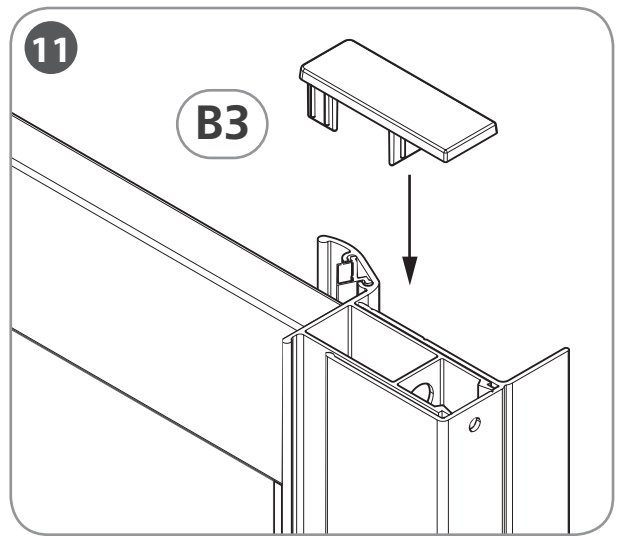
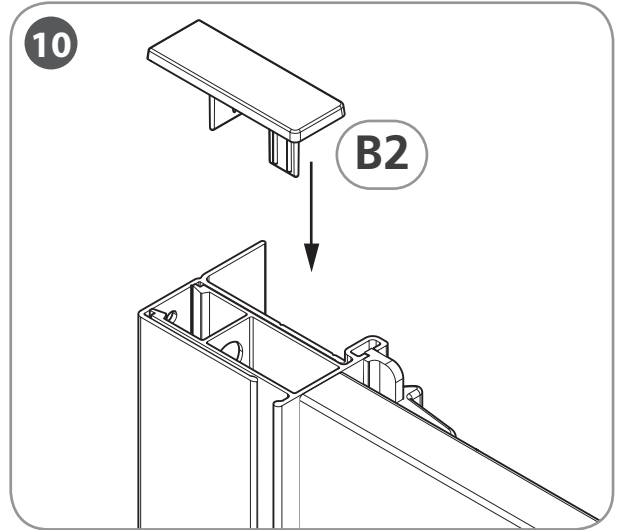
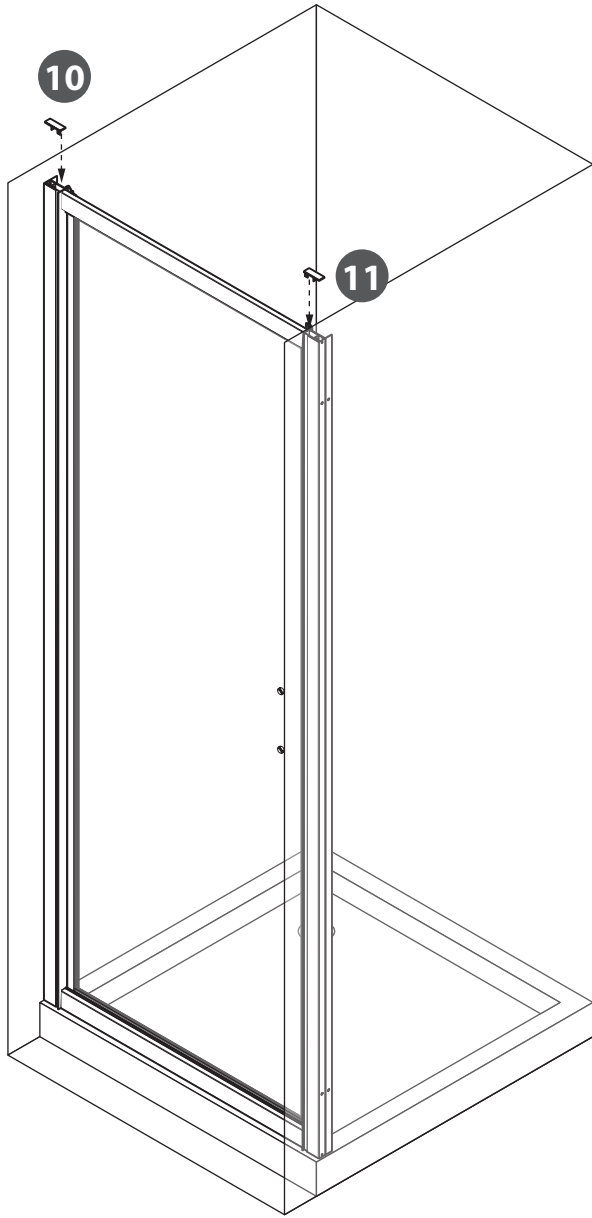


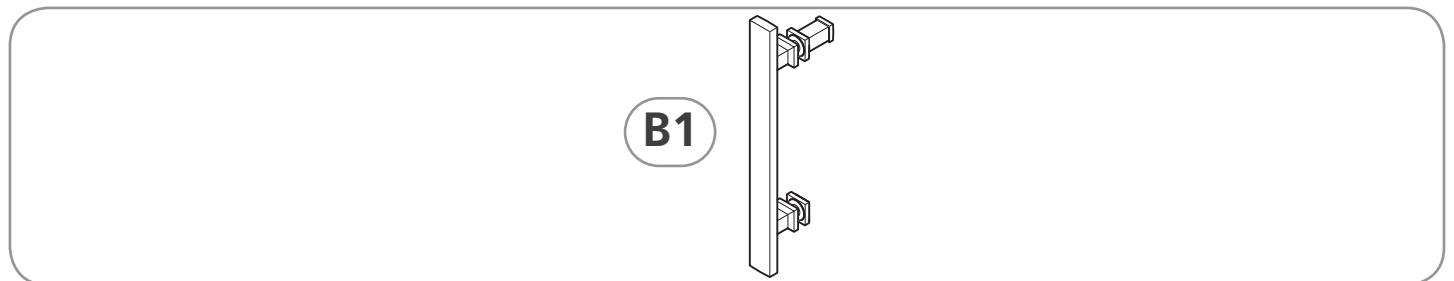
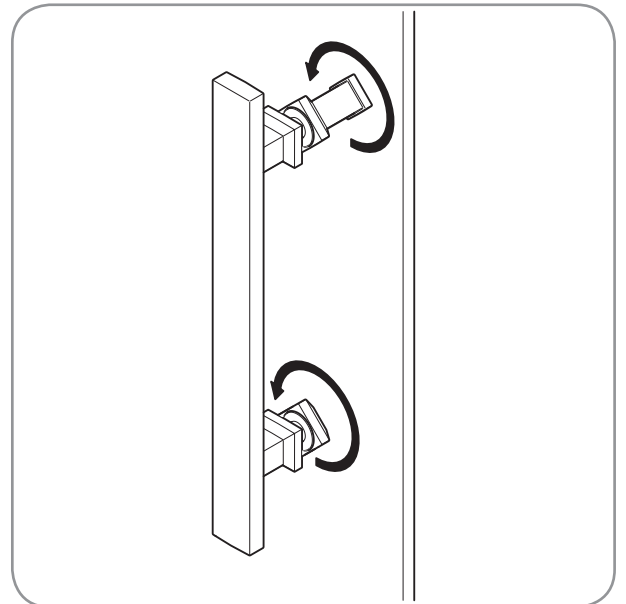
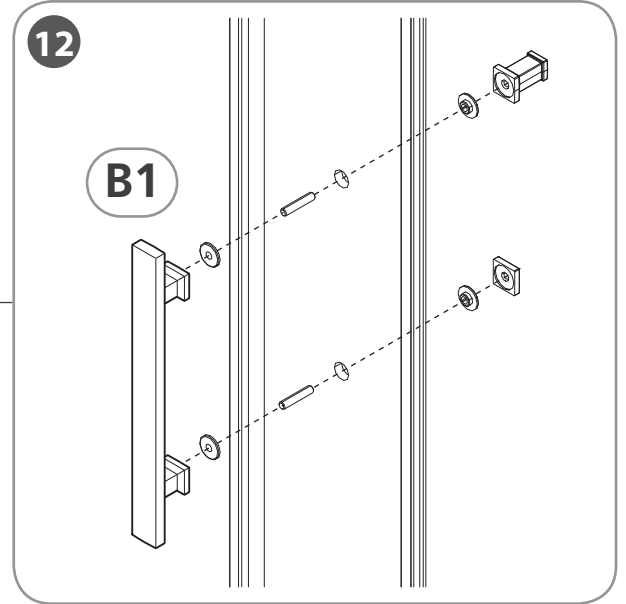
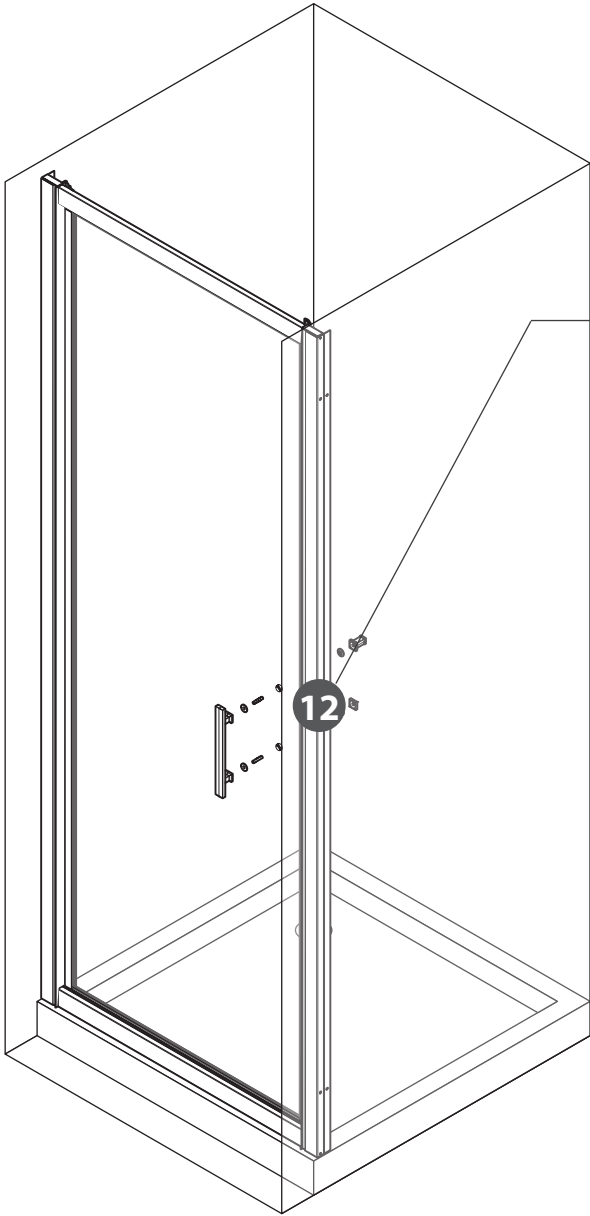
7



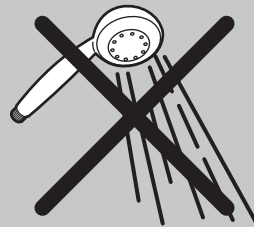
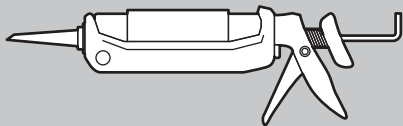
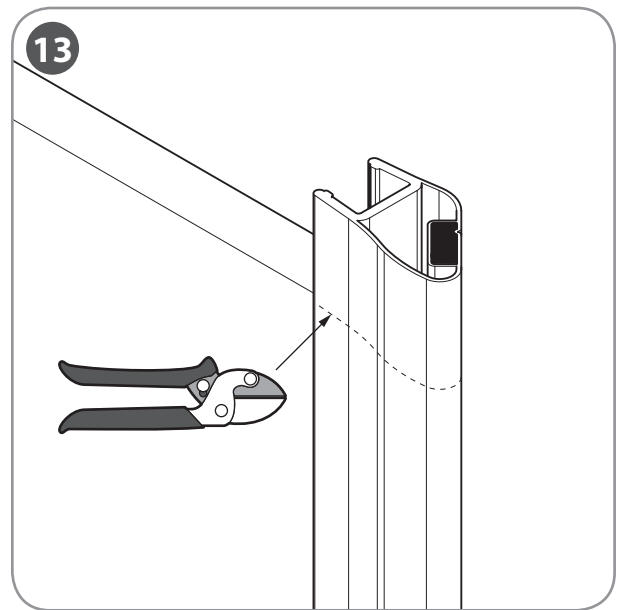
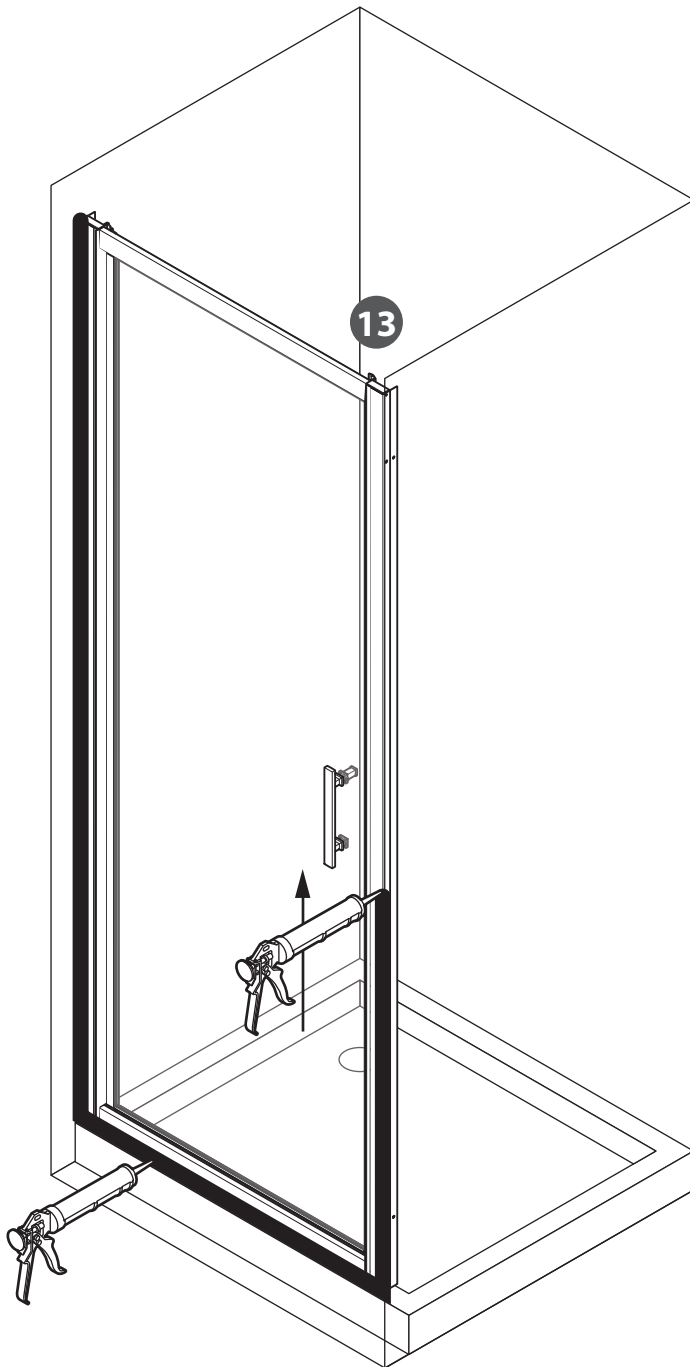


9





11



Note:

