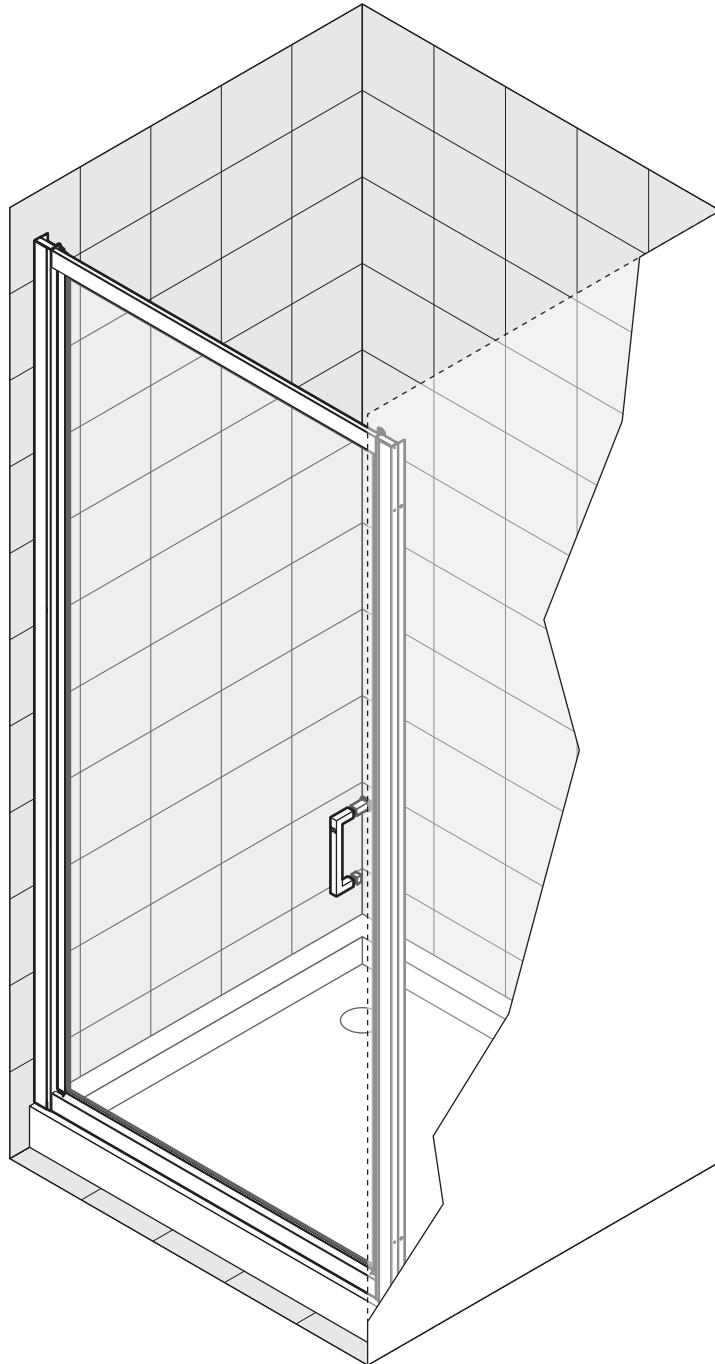
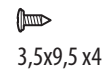
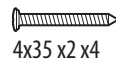
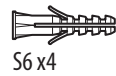
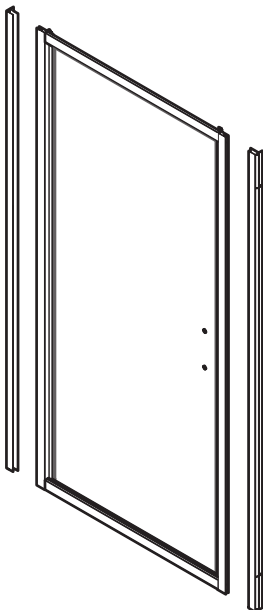
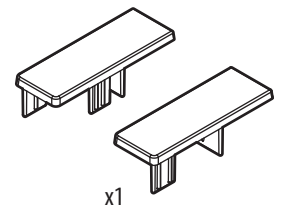
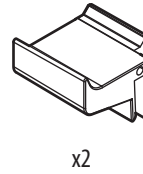
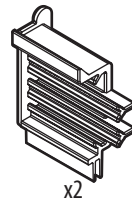
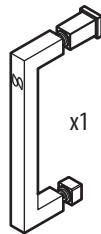
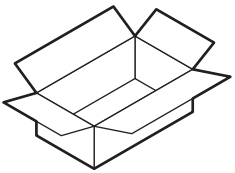
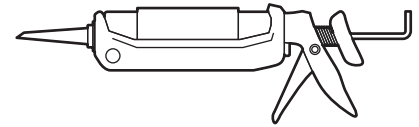
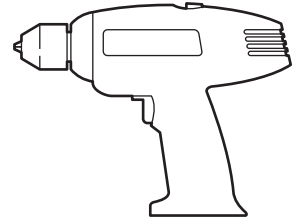
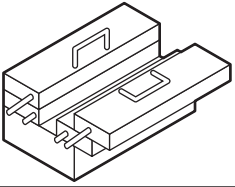


G

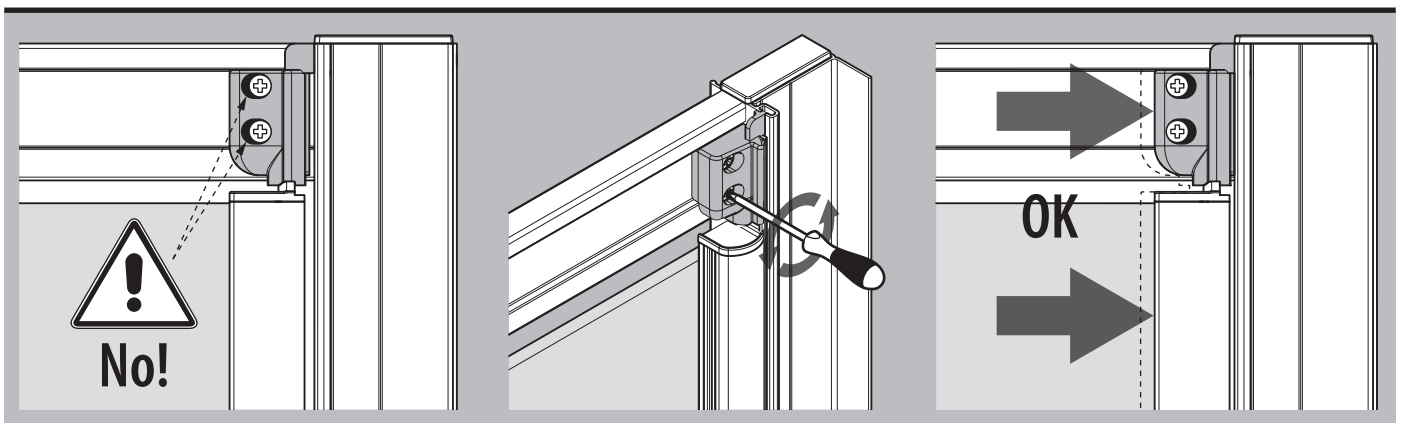
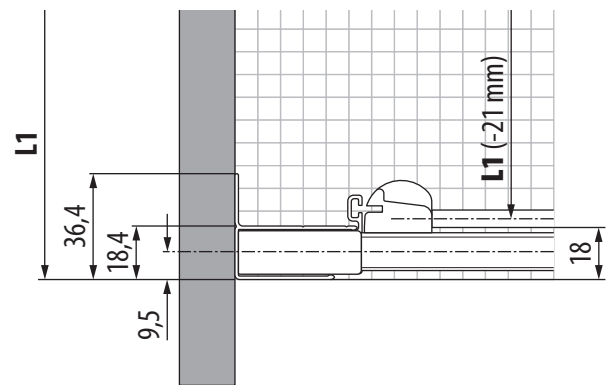
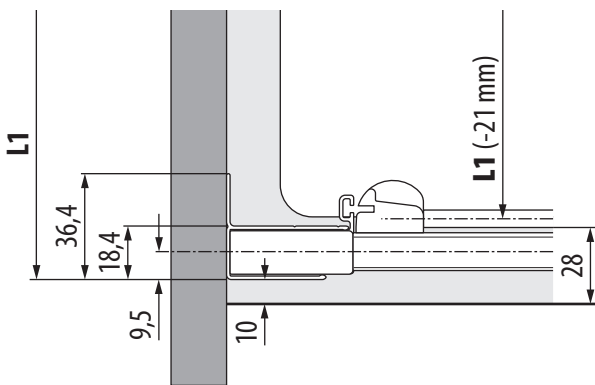
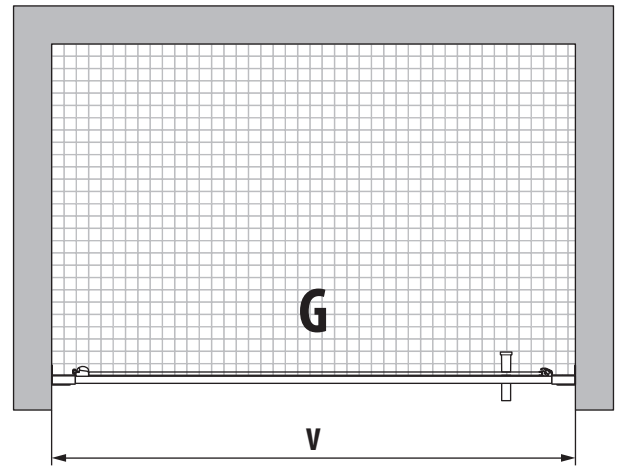
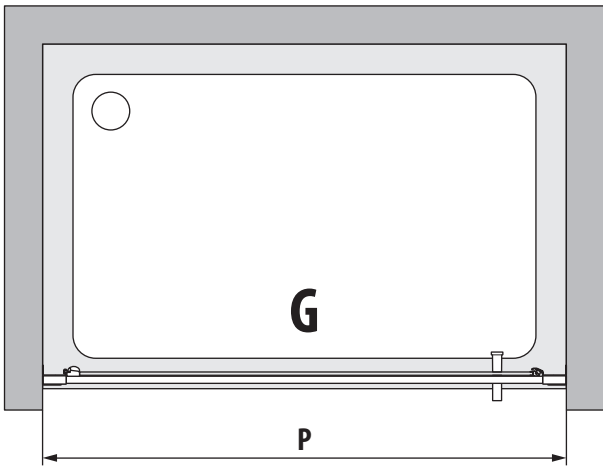


<hr/> <hr/> <hr/> <hr/>	<hr/> <hr/> <hr/> <hr/>
-------------------------	-------------------------

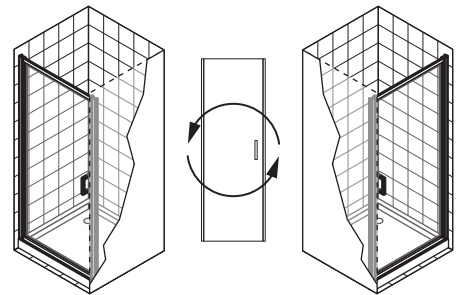
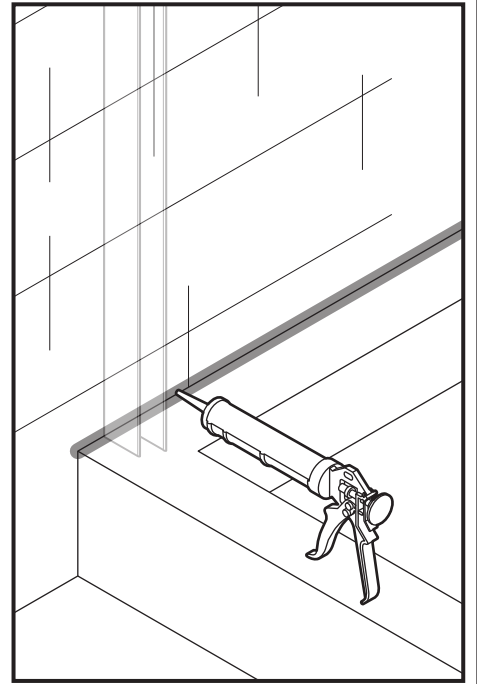
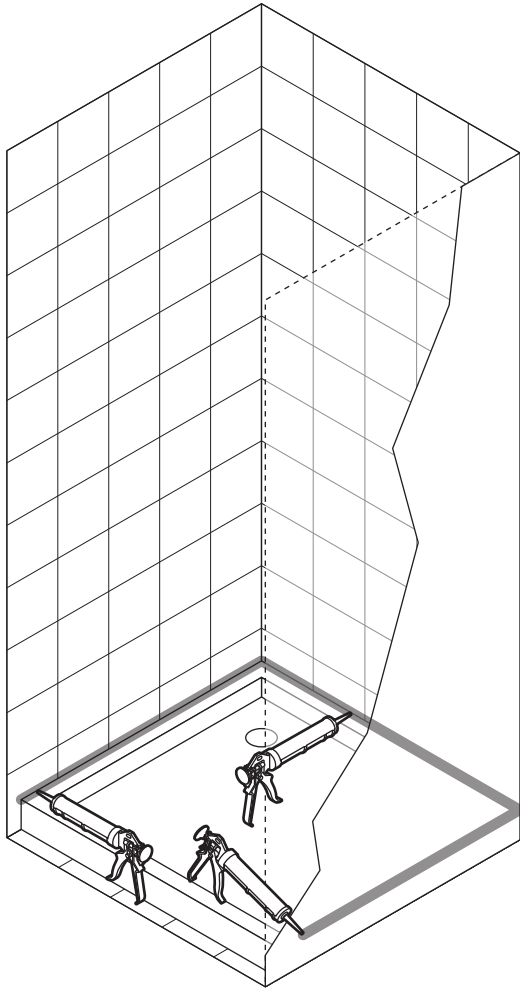


G	P mm
66	660-720
72	720-780
76	760-820
86	860-920
96	960-1020

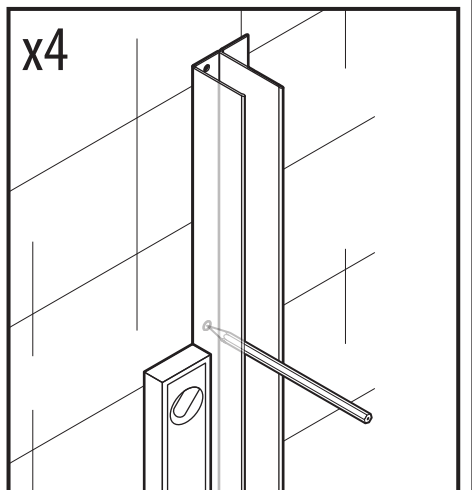
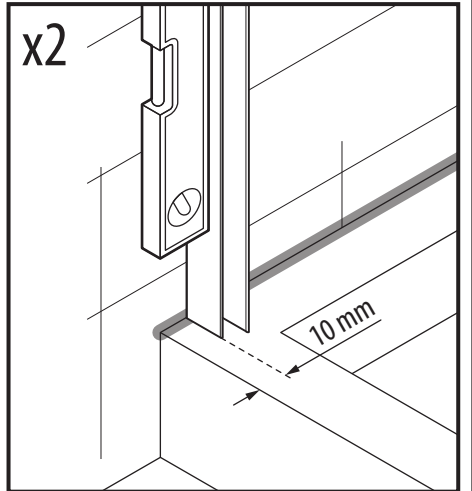
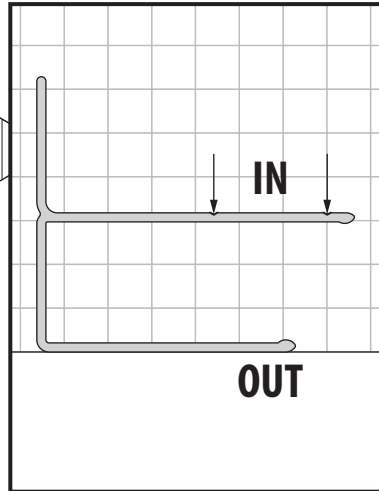
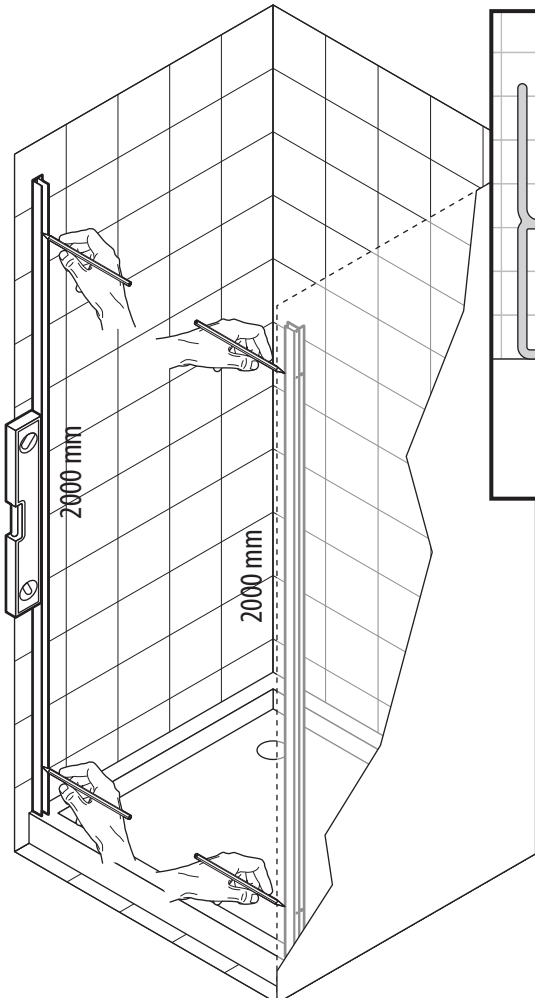
G	V mm
66	660-720
72	720-780
76	760-820
86	860-920
96	960-1020



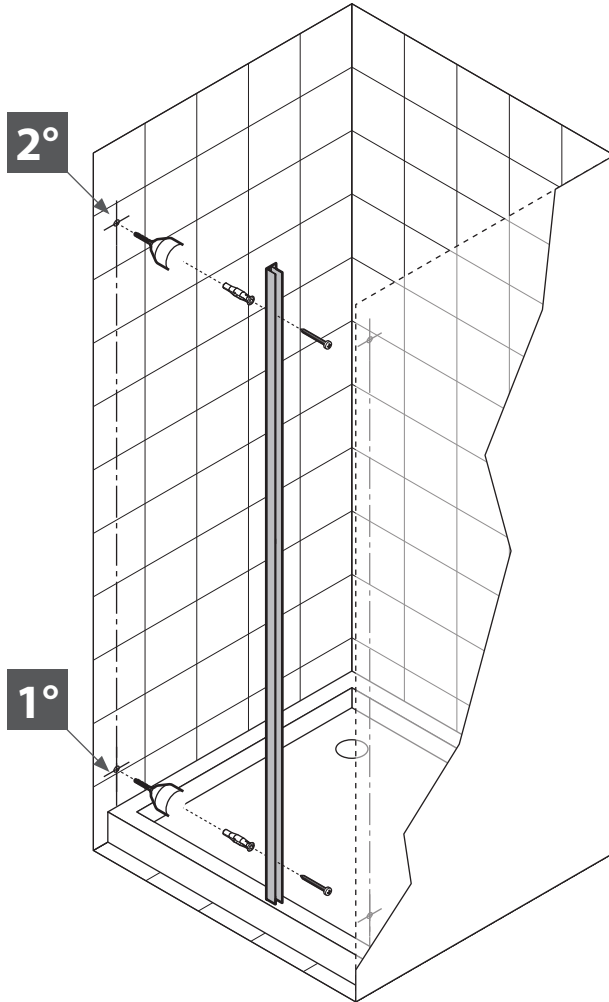
1



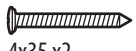
2



3



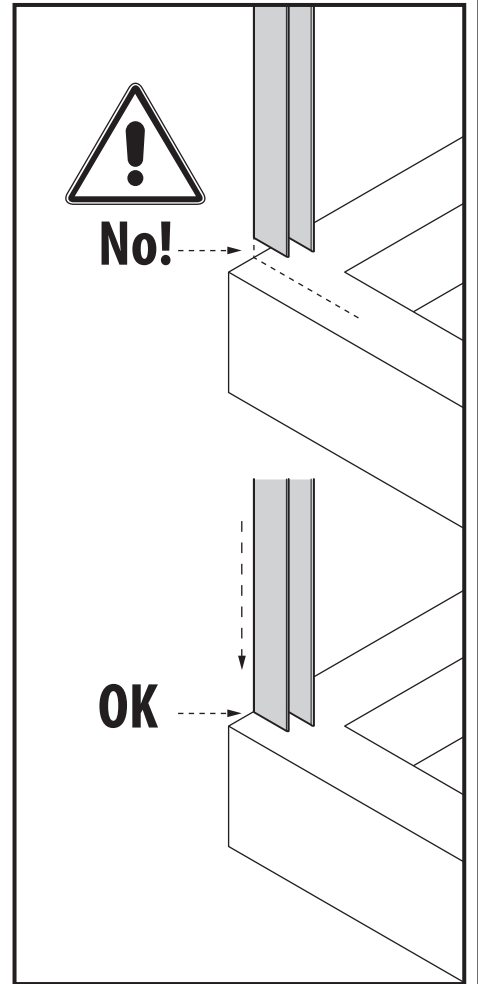
56 x 2



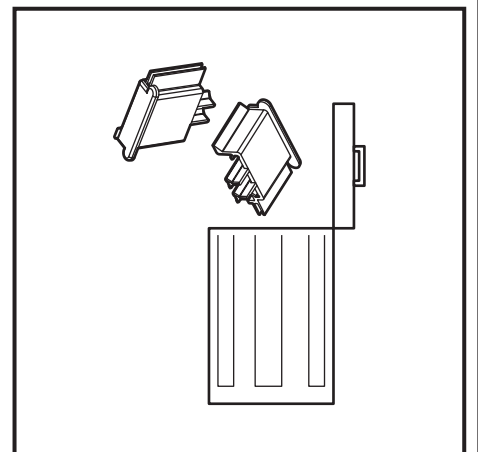
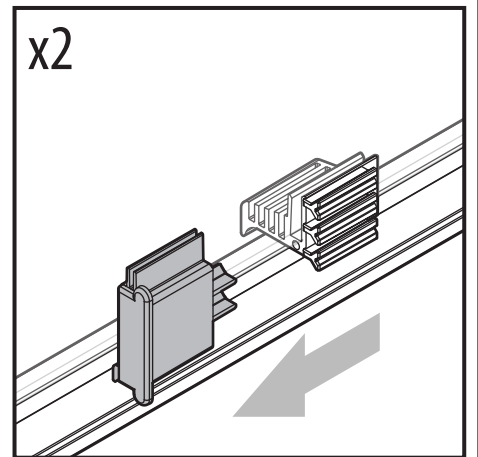
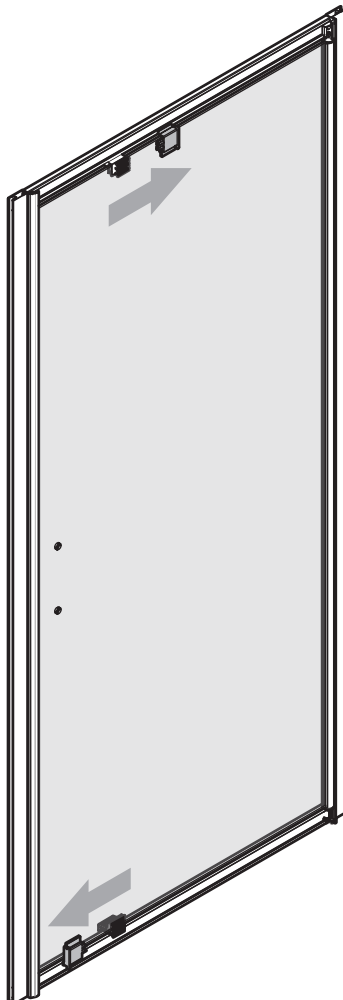
4 x 35 x 2



ø6 mm

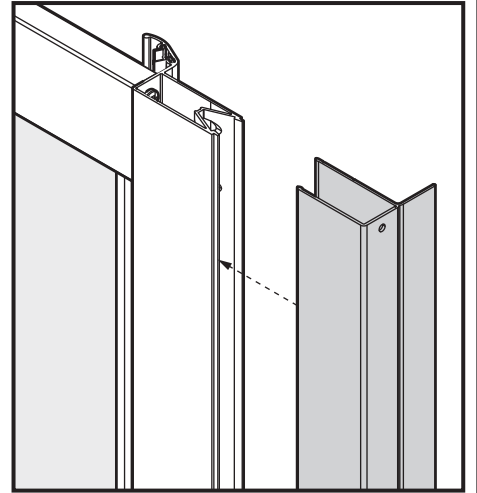
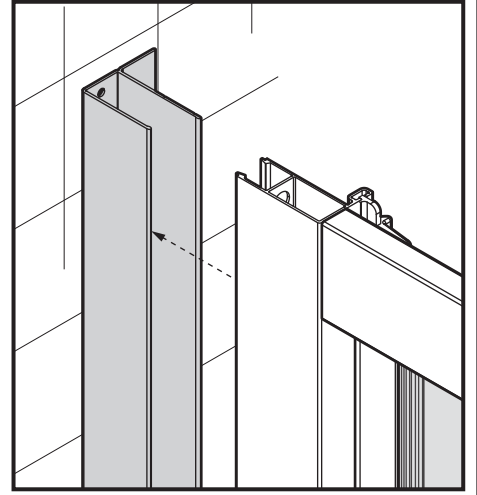
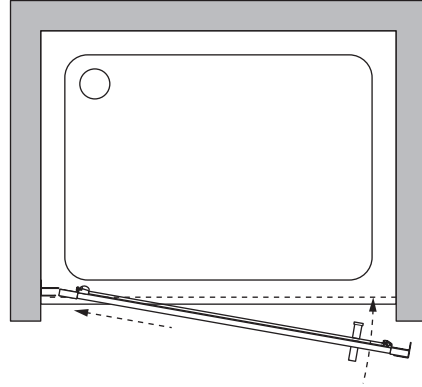
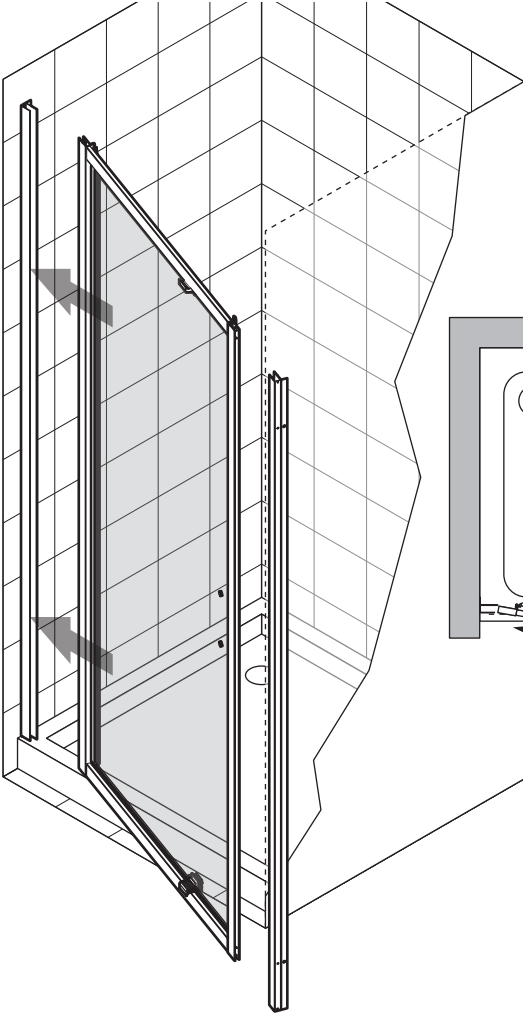


4

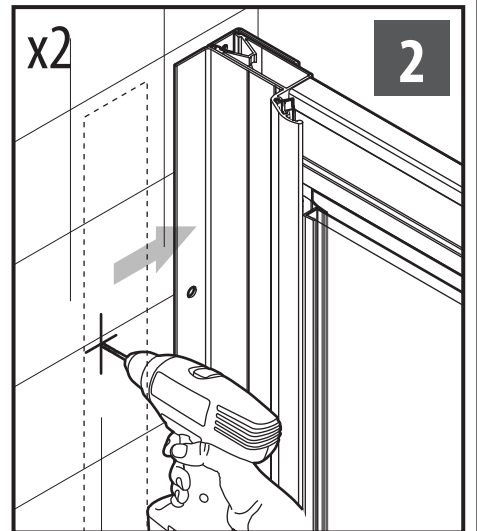
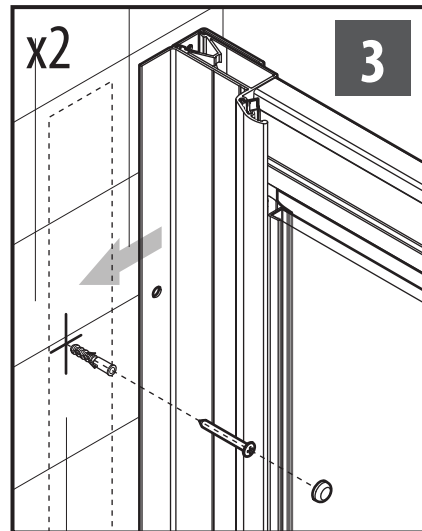
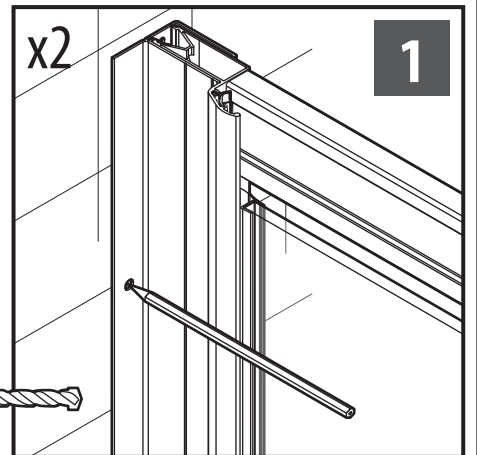
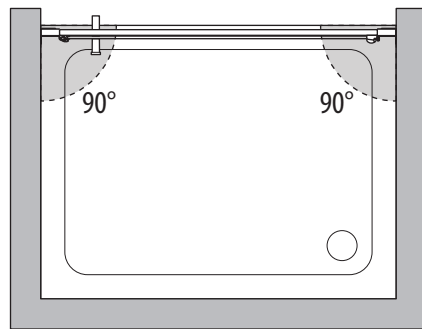
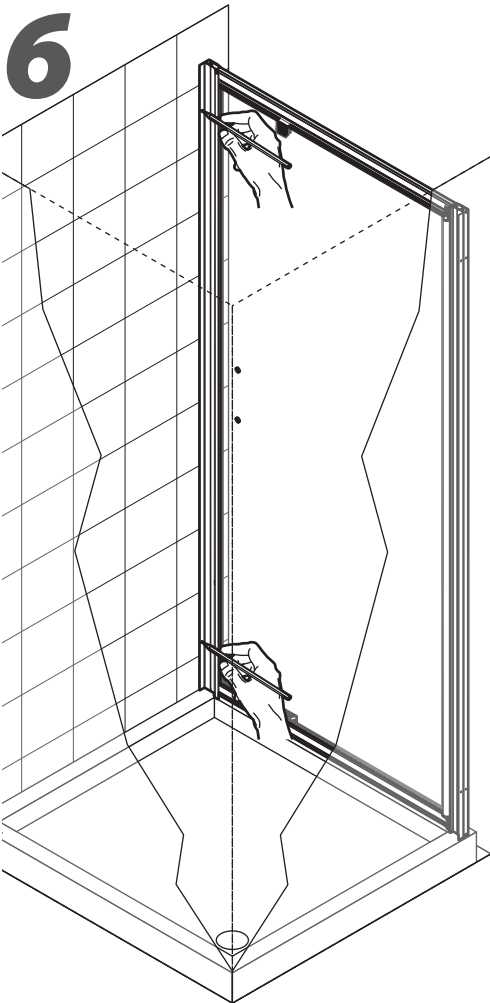


5

5

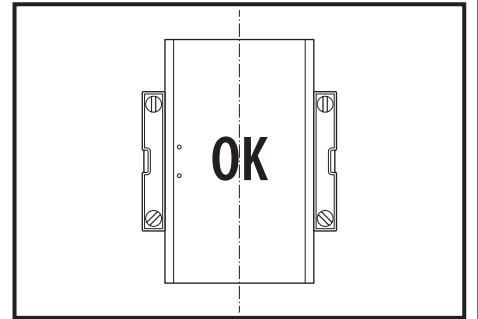
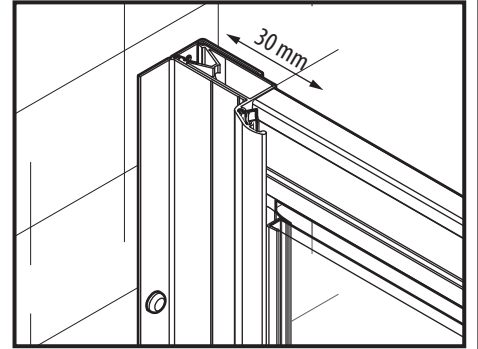
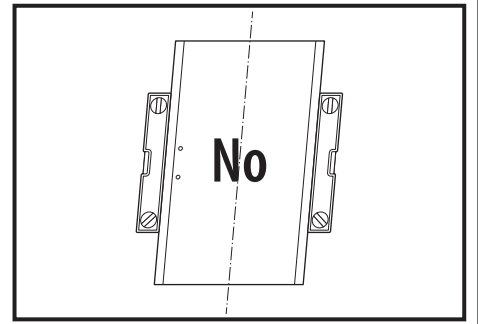
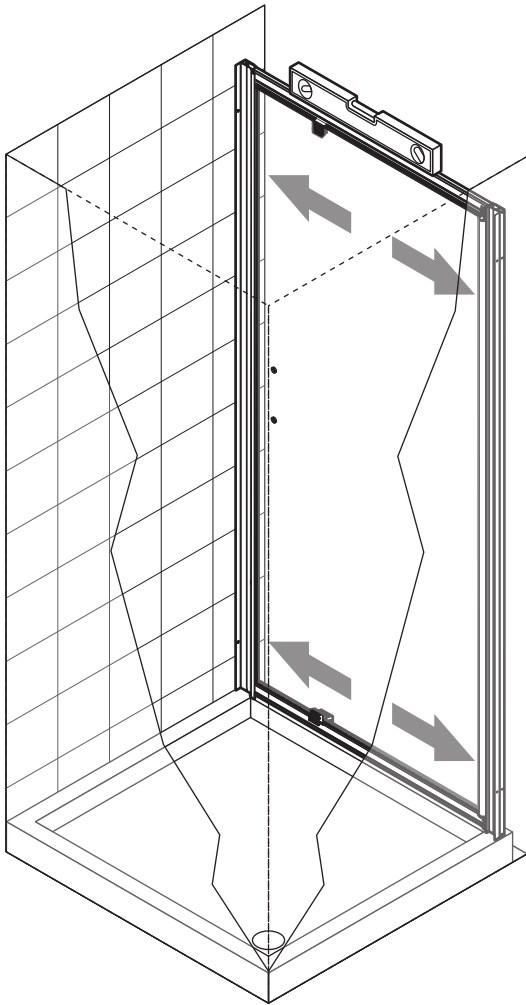


6

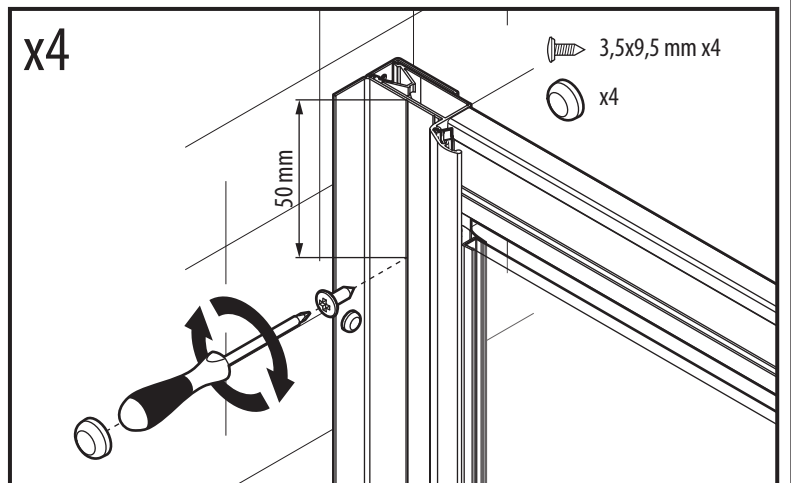
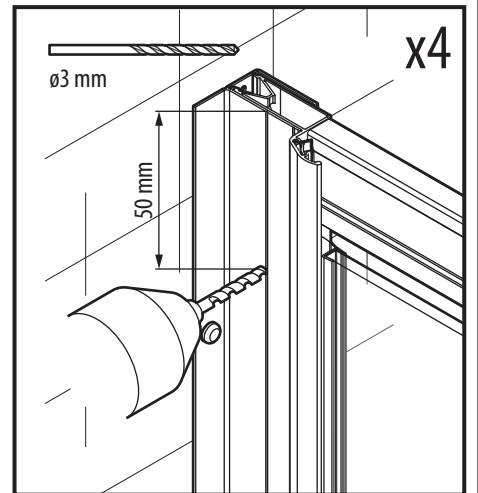
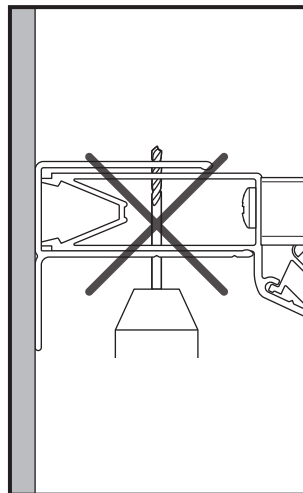
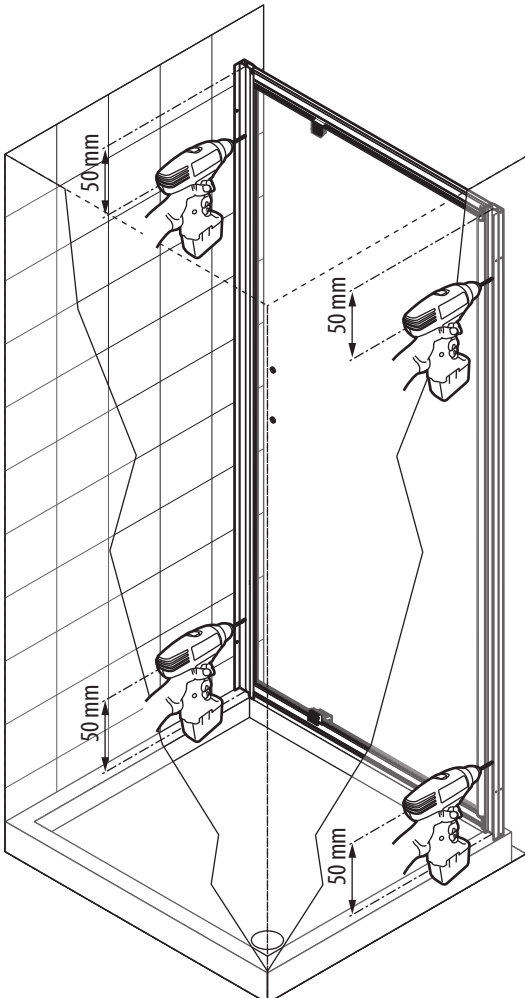


6

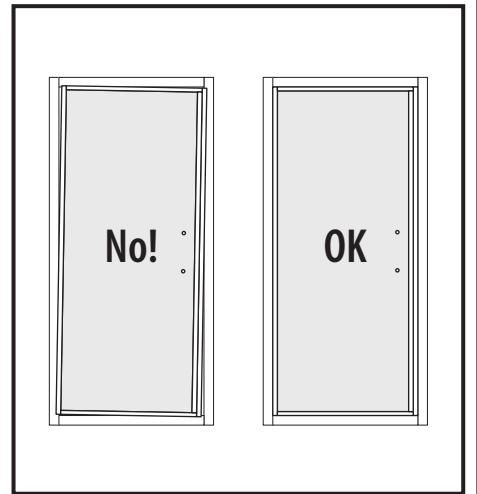
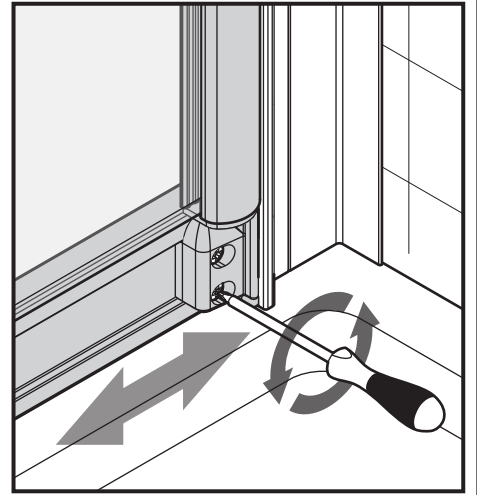
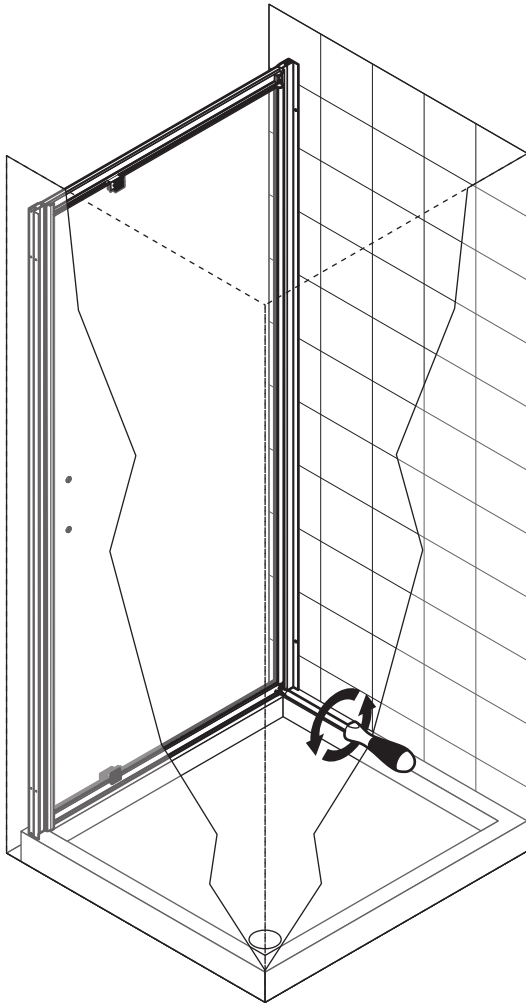
7



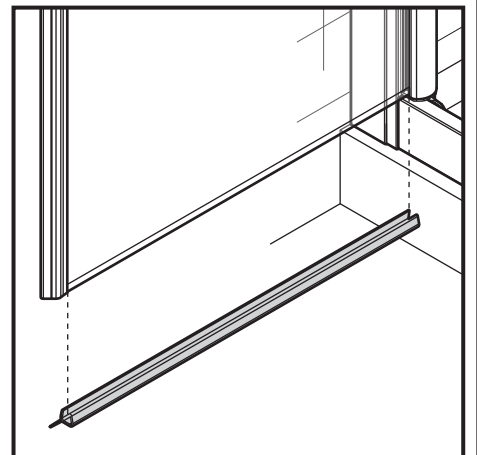
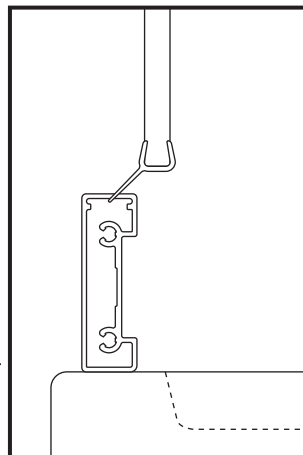
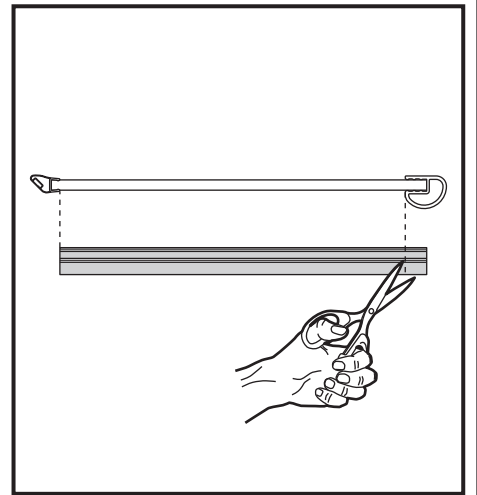
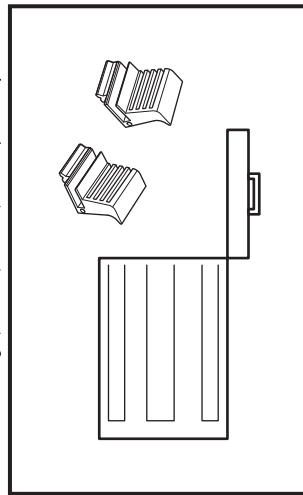
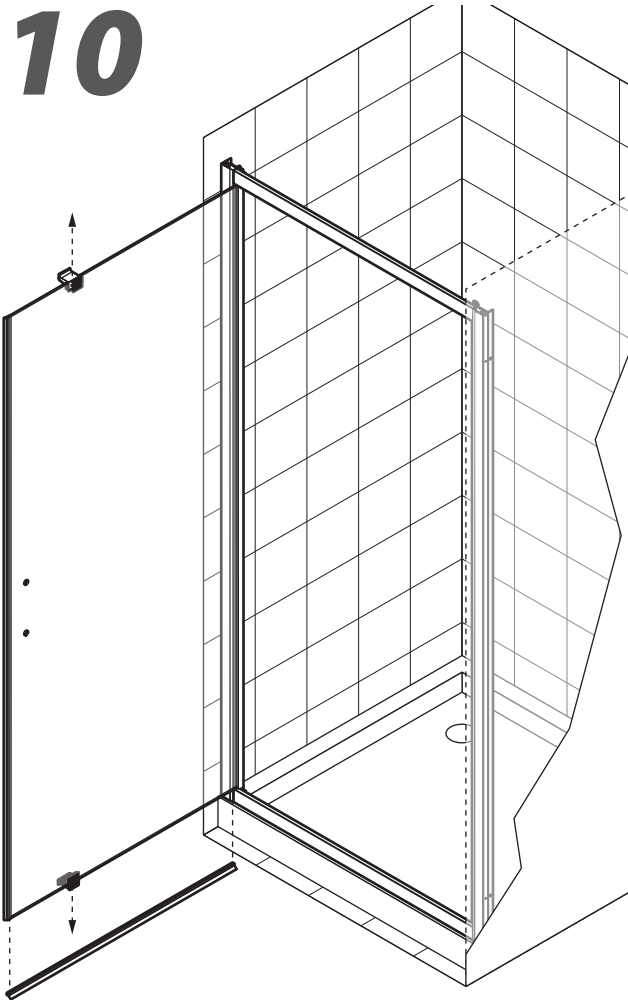
8



9

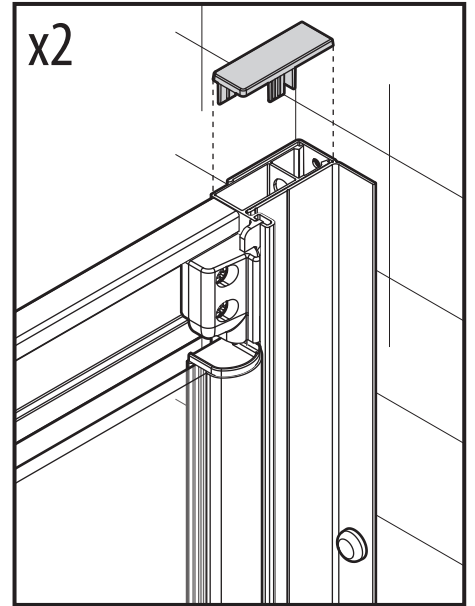
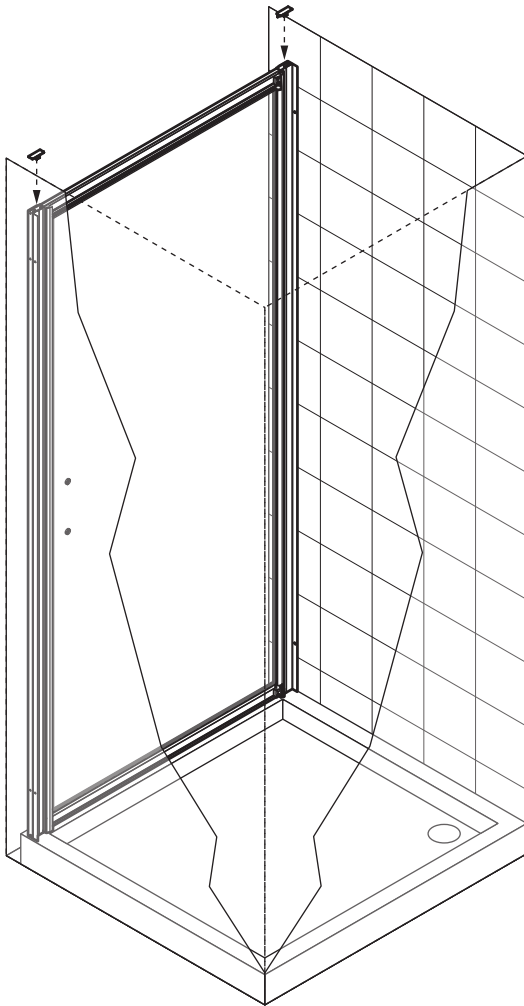


10

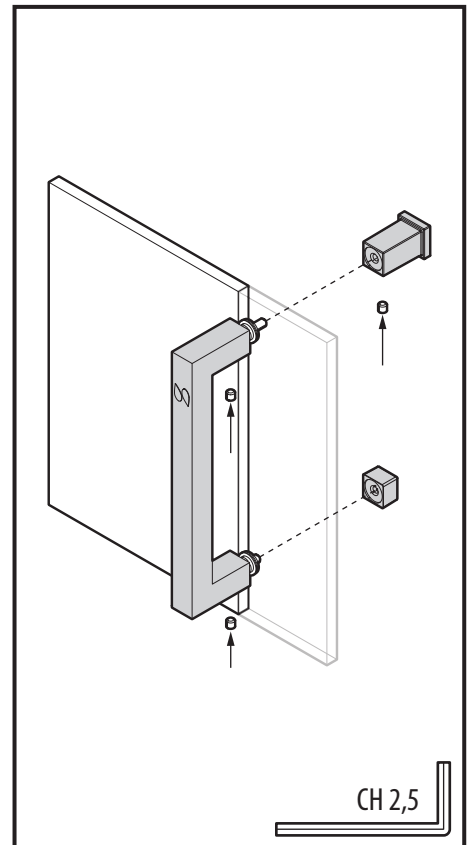
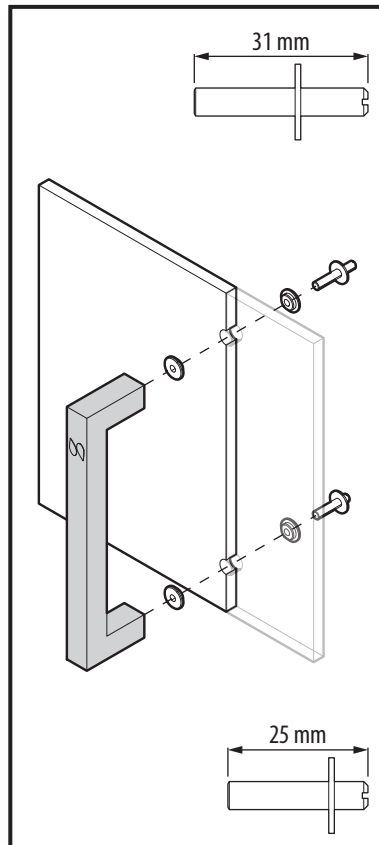
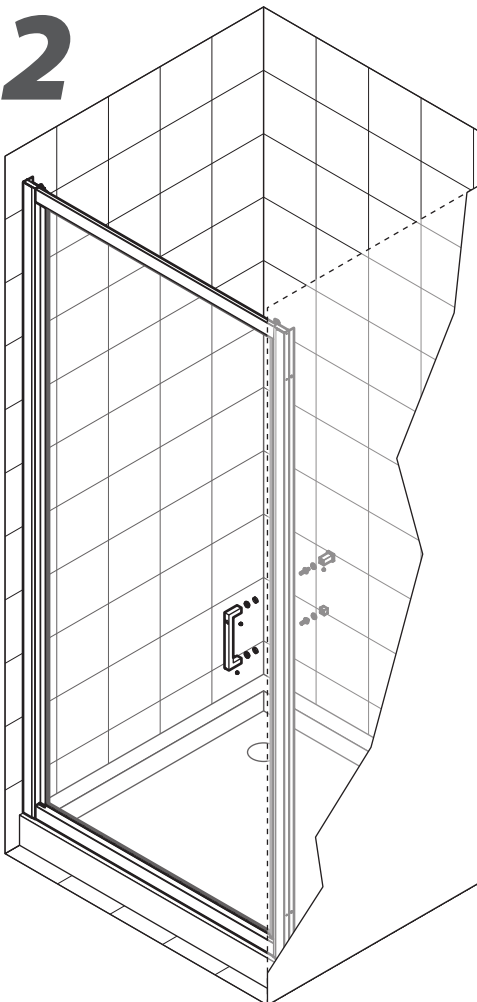


8

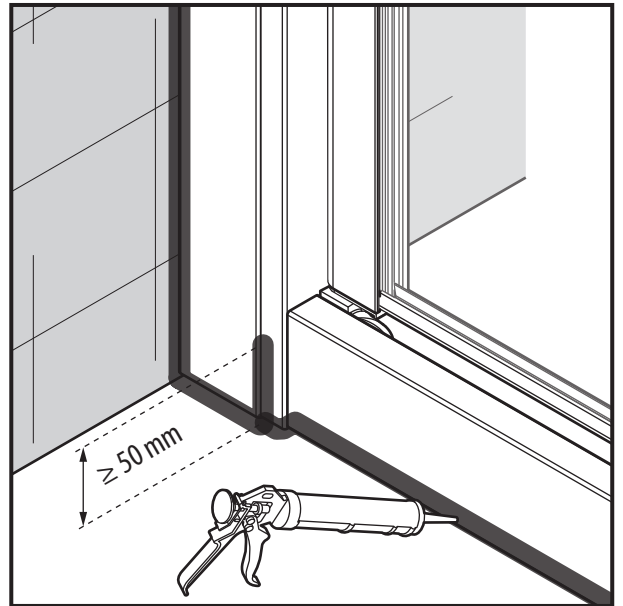
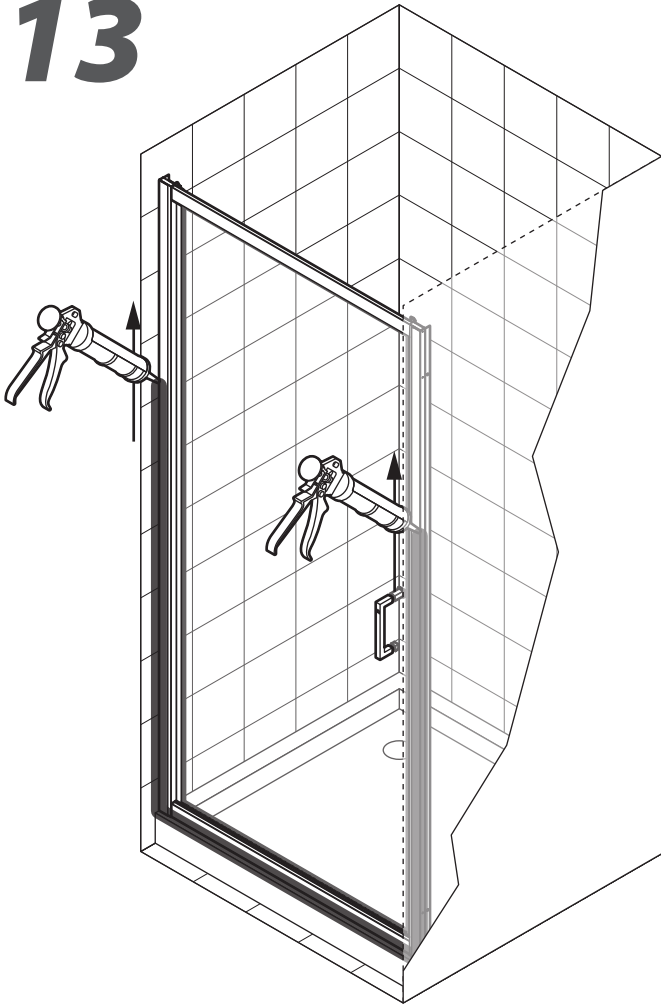
11



12



13



14

