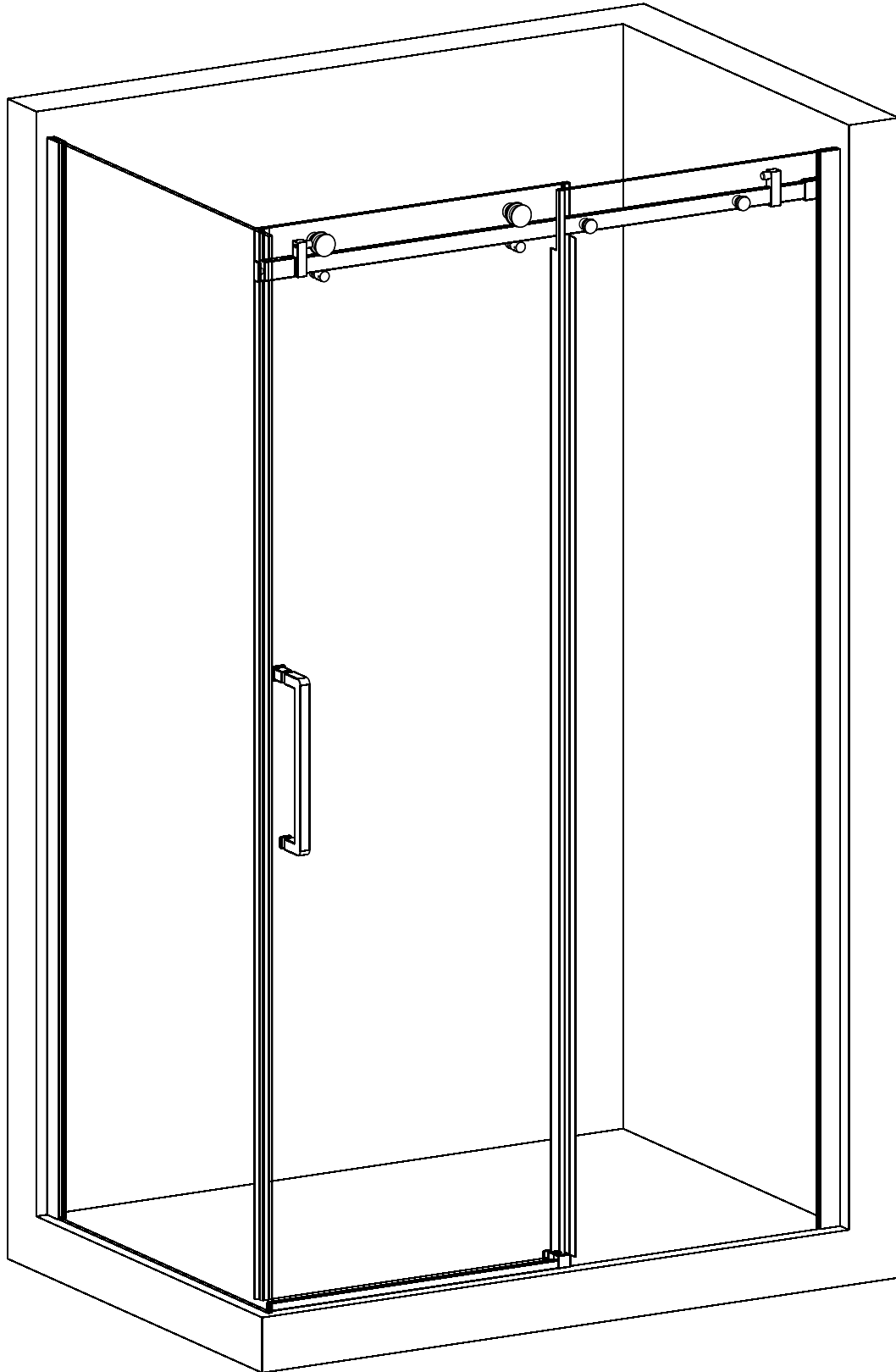
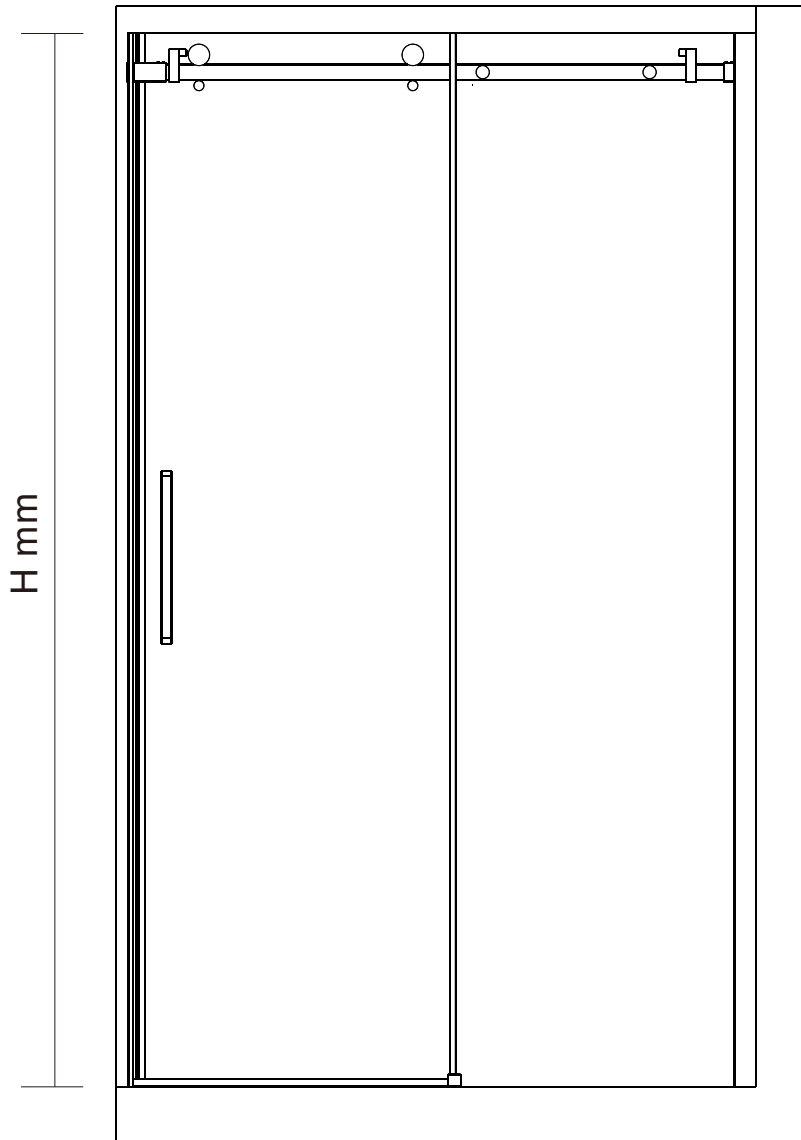
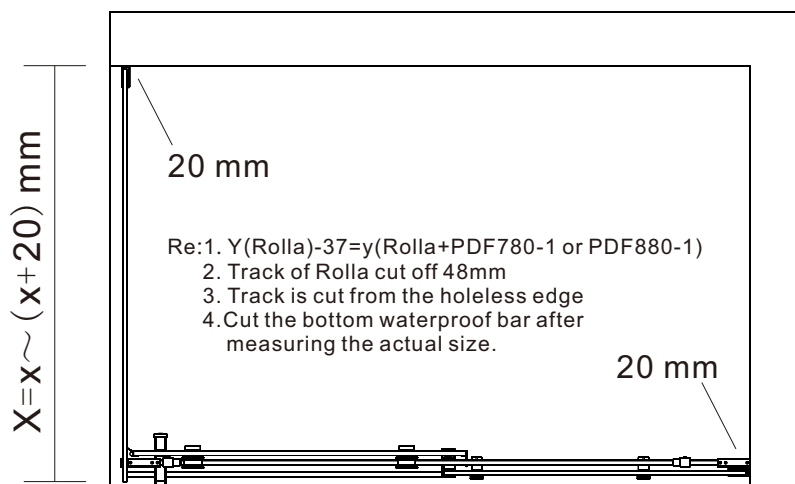


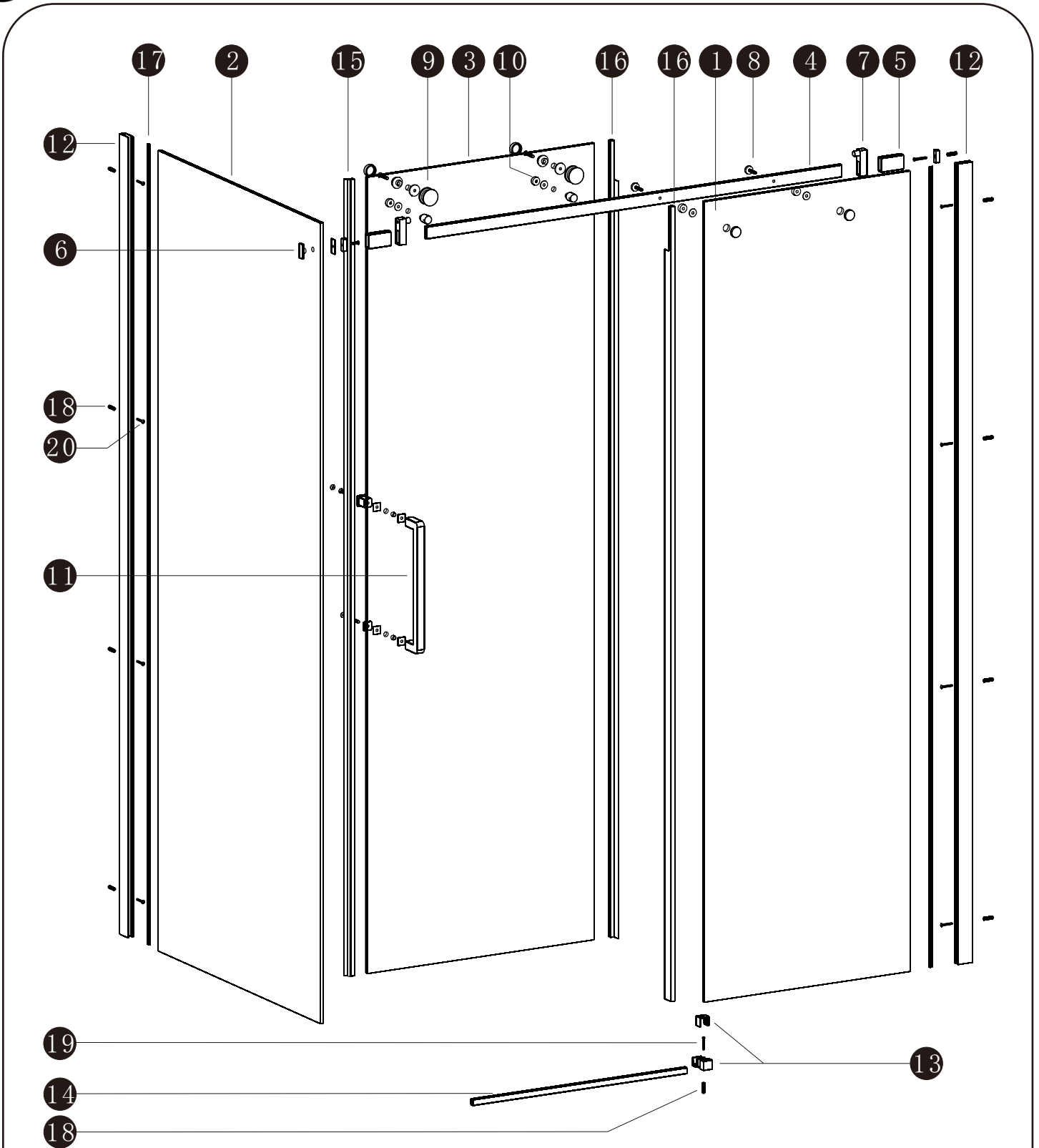
Rolla rectangulaire notice d'installation



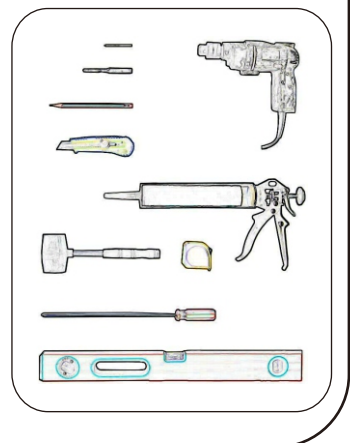


$$Y = y \sim (y+20) \text{ mm}$$

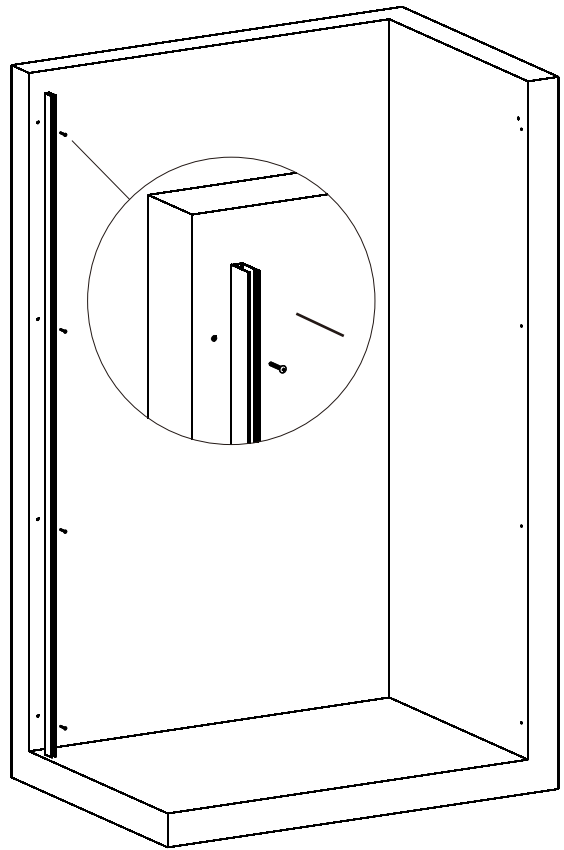
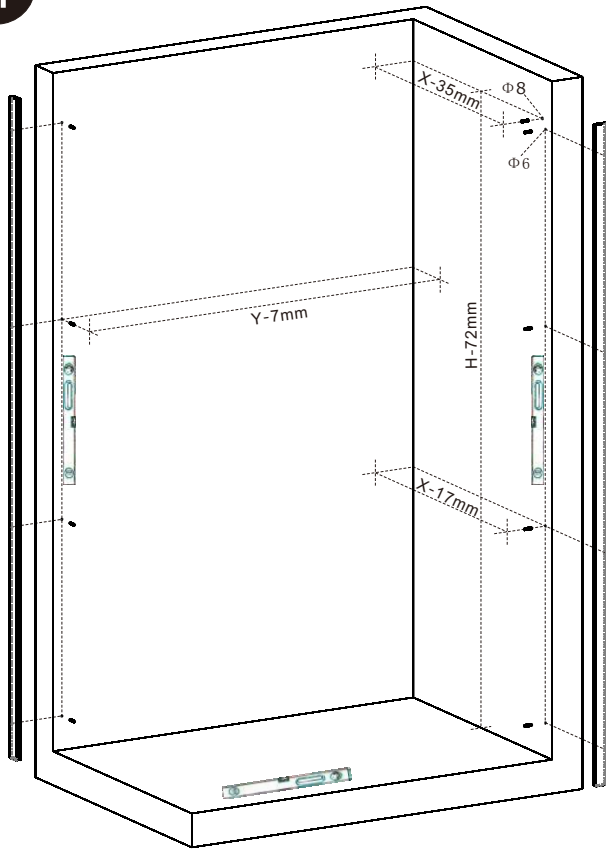




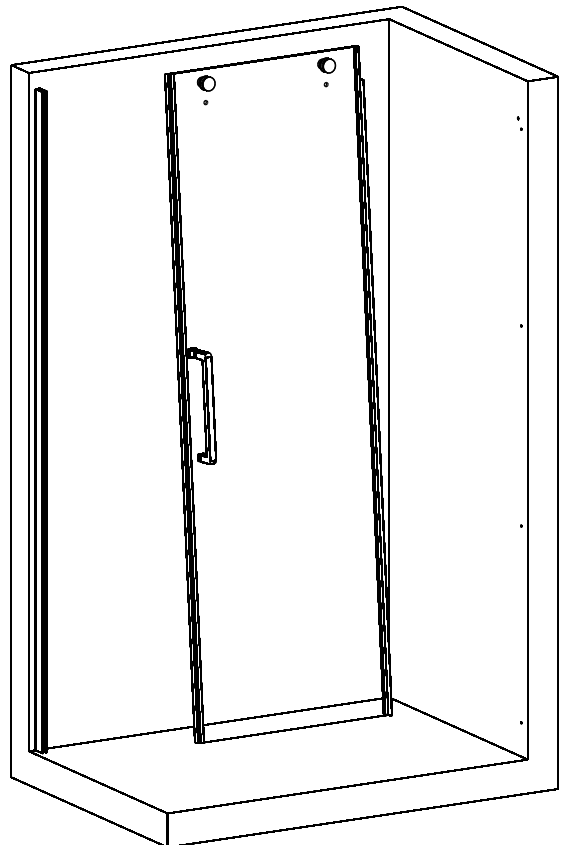
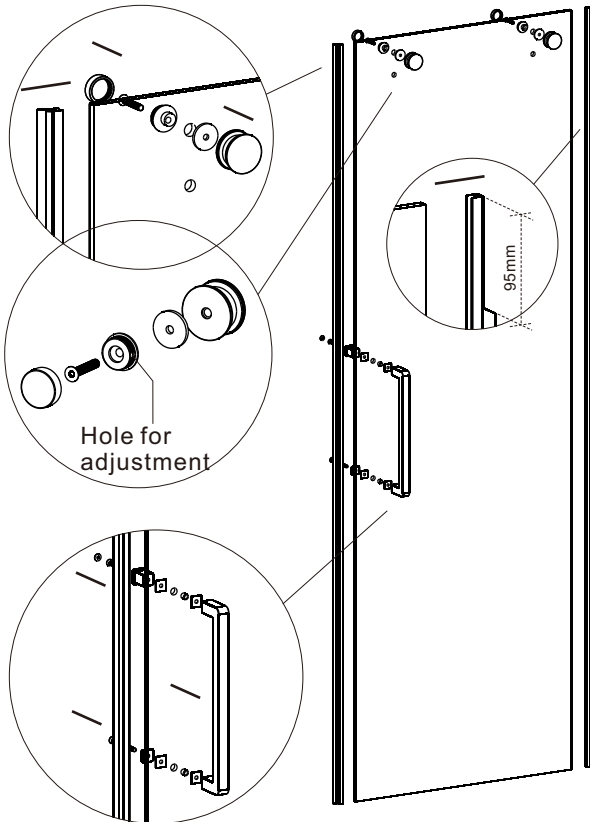
No.	Description	QTY	No.	Description	QTY	No.	Description	QTY
1	Fixed glass	1 pcs	8	Glass clip	2 pcs	15	Anti-collision strip	1 pcs
2	Corner fixed glass	1 pcs	9	Roller	2 pcs	16	F waterproof strip	2 pcs
3	Moved glass	1 pcs	10	Anti-bouner	2 pcs	17	Sealling Strip	2 pcs
4	Track	1 pcs	11	Handle	1 pcs	18	Wall plug	10 pcs
5	Wall & track connector	2 pcs	12	U channel	2 pcs	19	Round head screw St4x30	2 pcs
6	Connector cap	1 pcs	13	Bottom guide	1 pcs	20	Truss head screw St4x30	8 pcs
7	Stopper	2 pcs	14	Bottom waterproof bar	1 pcs			



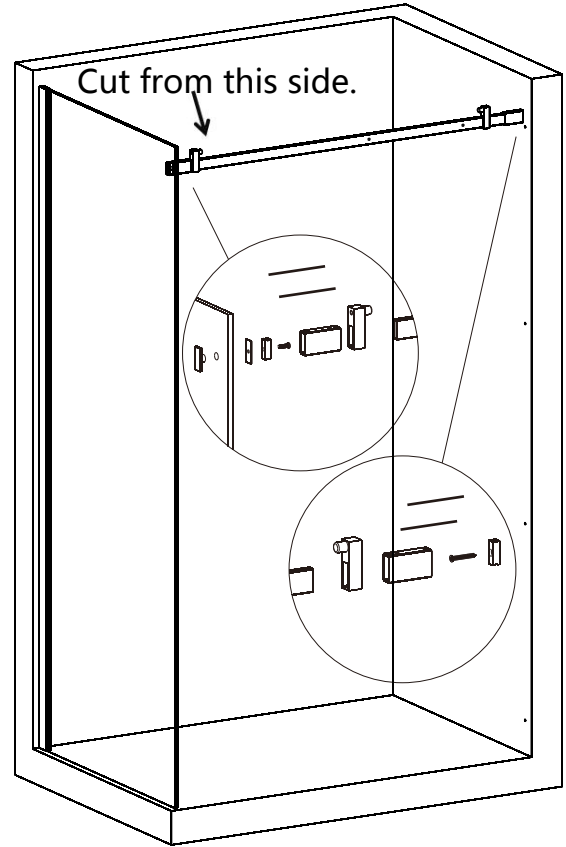
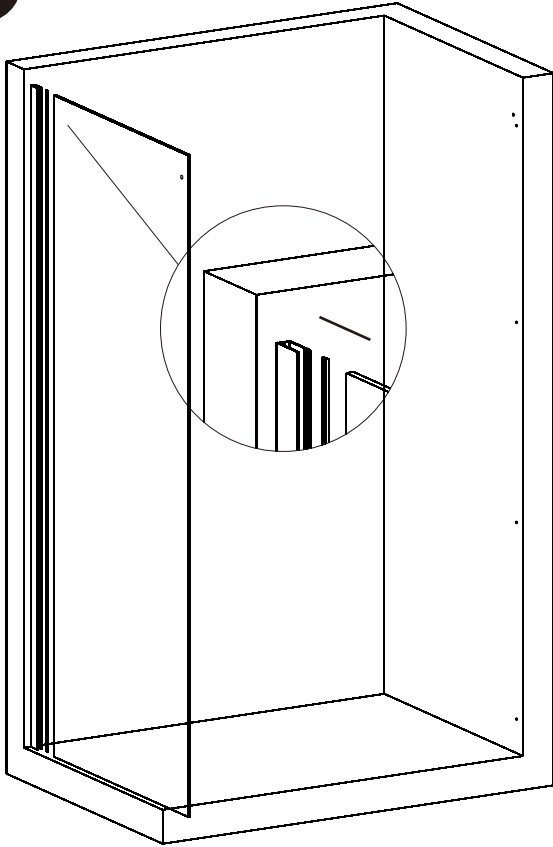
1



2

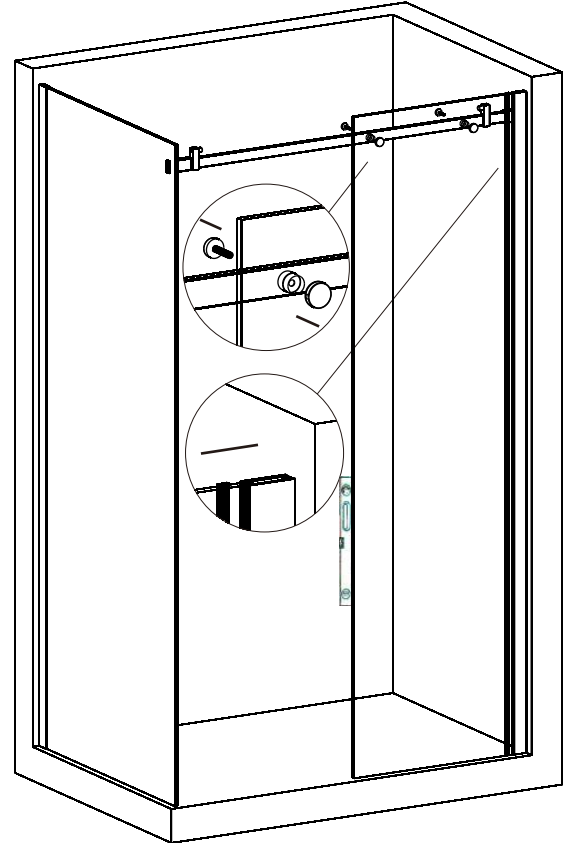
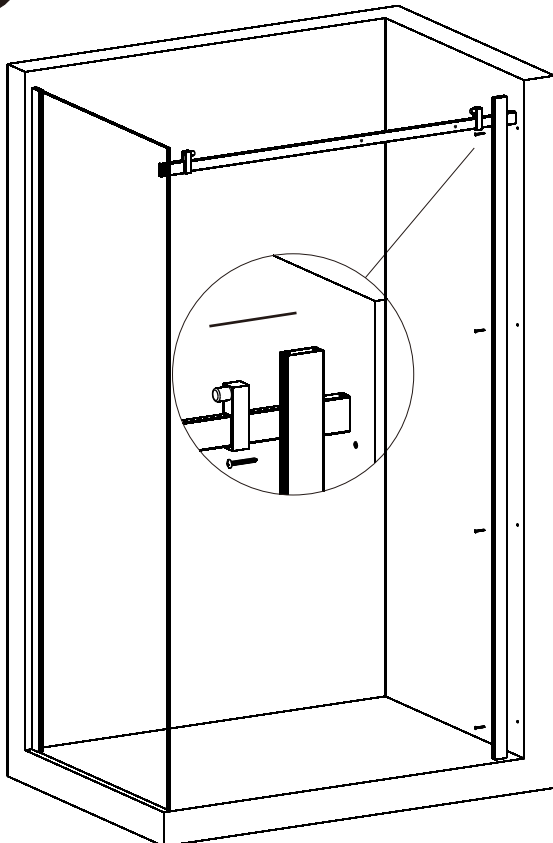


3

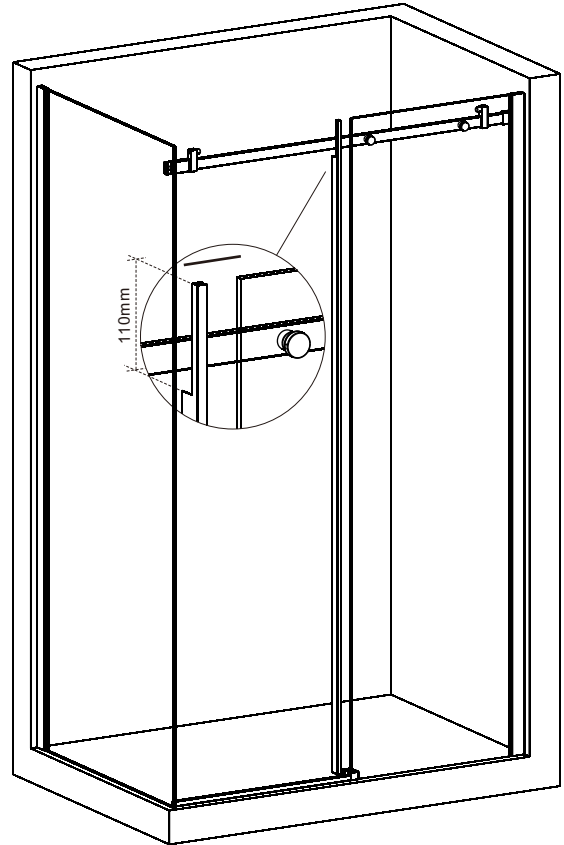
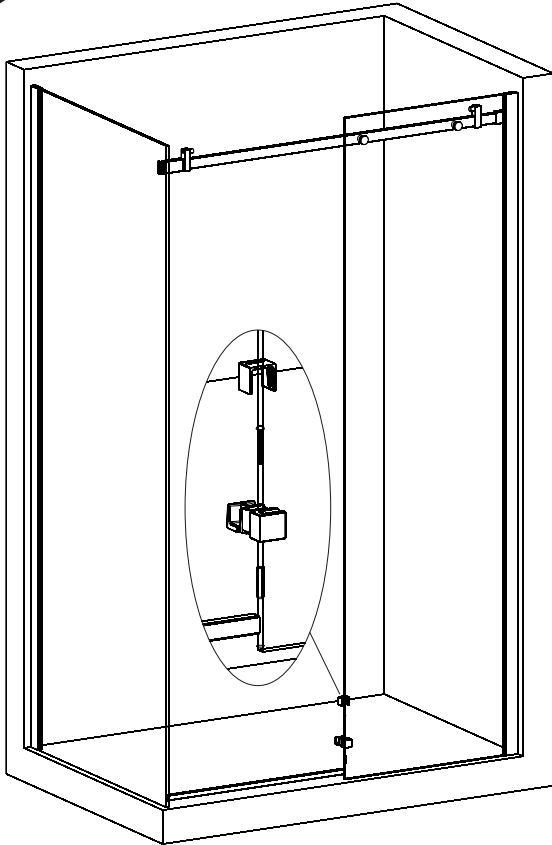


No. 4 track cut off 48mm, track is cut from the holeless edge .

4

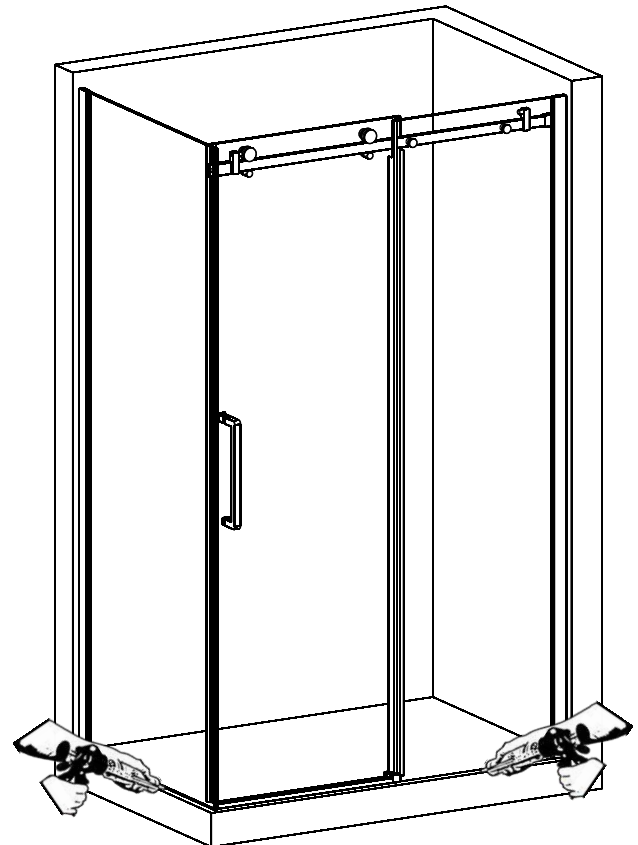
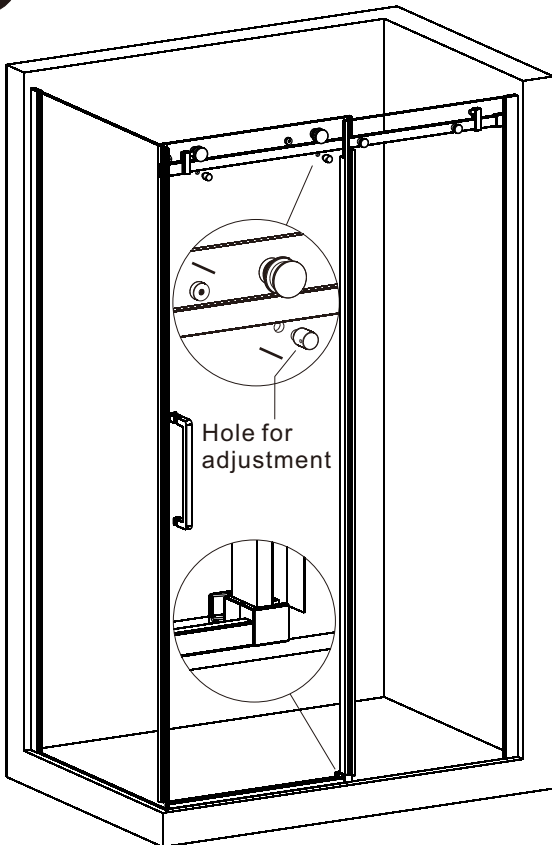


5



Measuring the position of bottom waterproof bar, then cut the bottom waterproof bar accordingly.

6



Allow 24 hours for silicone to dry before use.