



GR5007

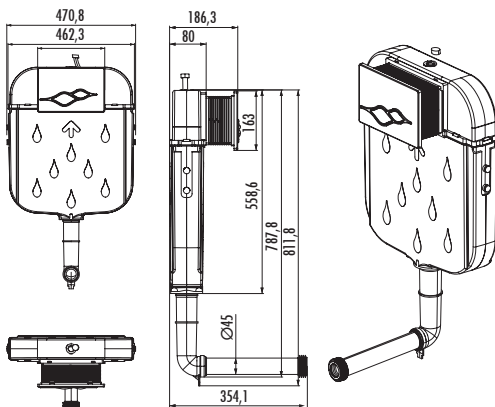
GR5007

Concealed Cistern
for Back to Wall Pans 3 - 6 L.

Weight:

4,41 kg

TECHNICAL DRAWING



h [height] indicates the drift axis from the completed floor and it is approximately 320 mm. However the absolute measurement should be adjusted in accordance with the drift of the closet to be used.

Creavit keeps its rights of making any change to the products.



Quality Management Systems



Customer Satisfaction Certificate



Environmental Management System



Occupational Safety & Health Management System

LGA

Germany Accreditation Certificate

kiwa

Netherlands Accreditation Certificate

GOST - R

Russia Accreditation Certificate

UkrSEPRO

Ukraine Accreditation Certificate



Israel Accreditation Certificate



Nigeria Accreditation Certificate



European Accreditation Certificate



Turkish Accreditation Certificate