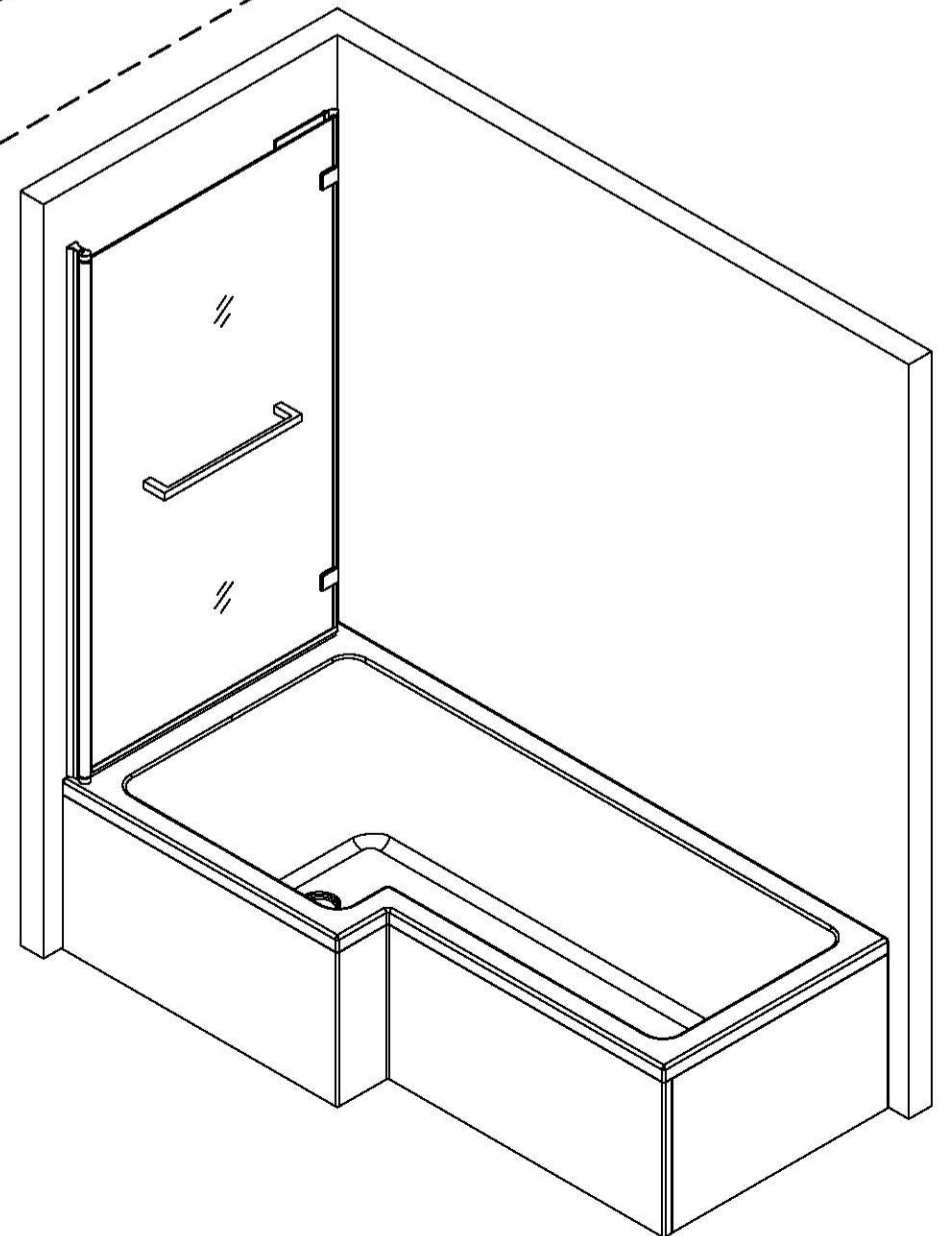
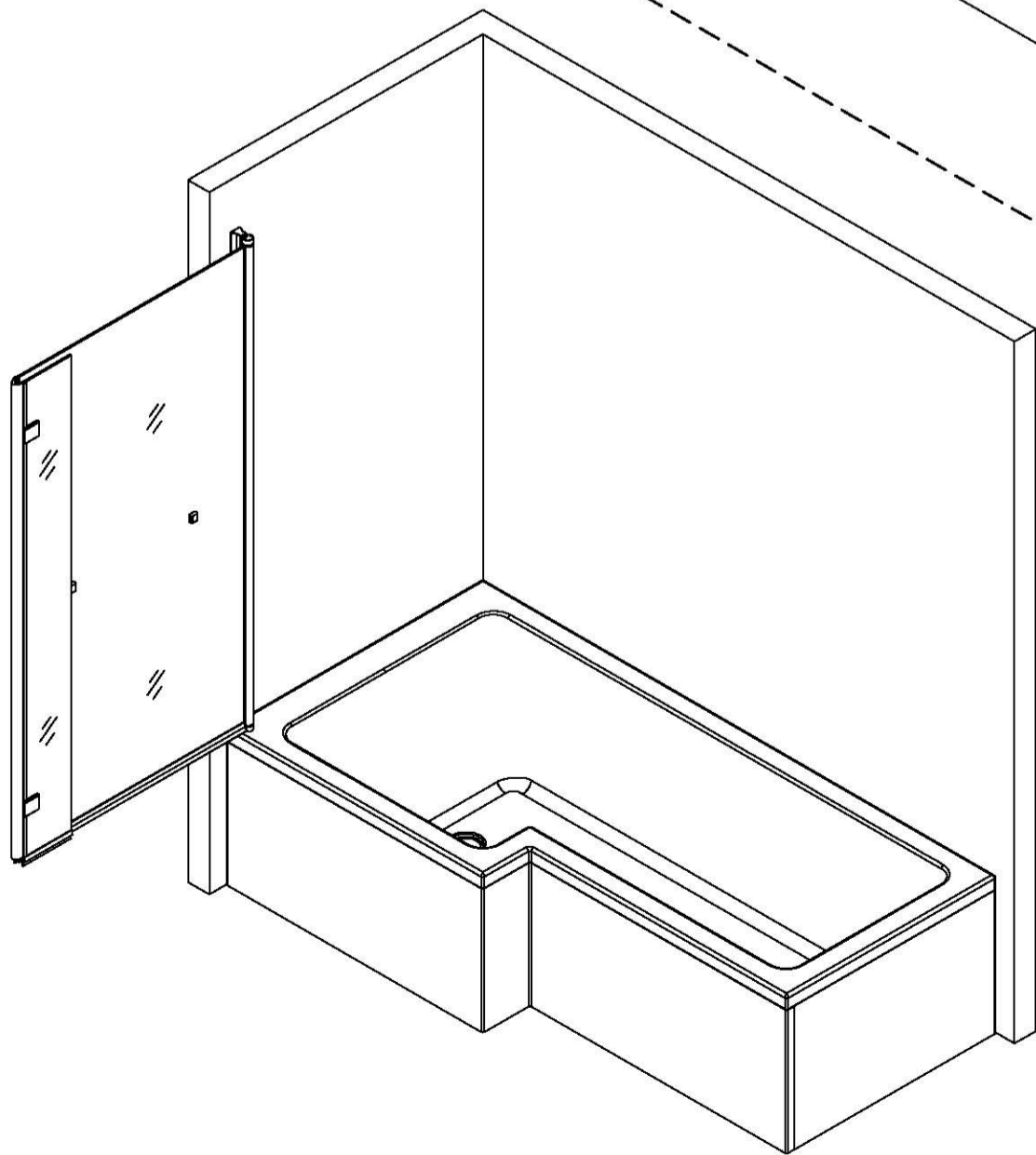
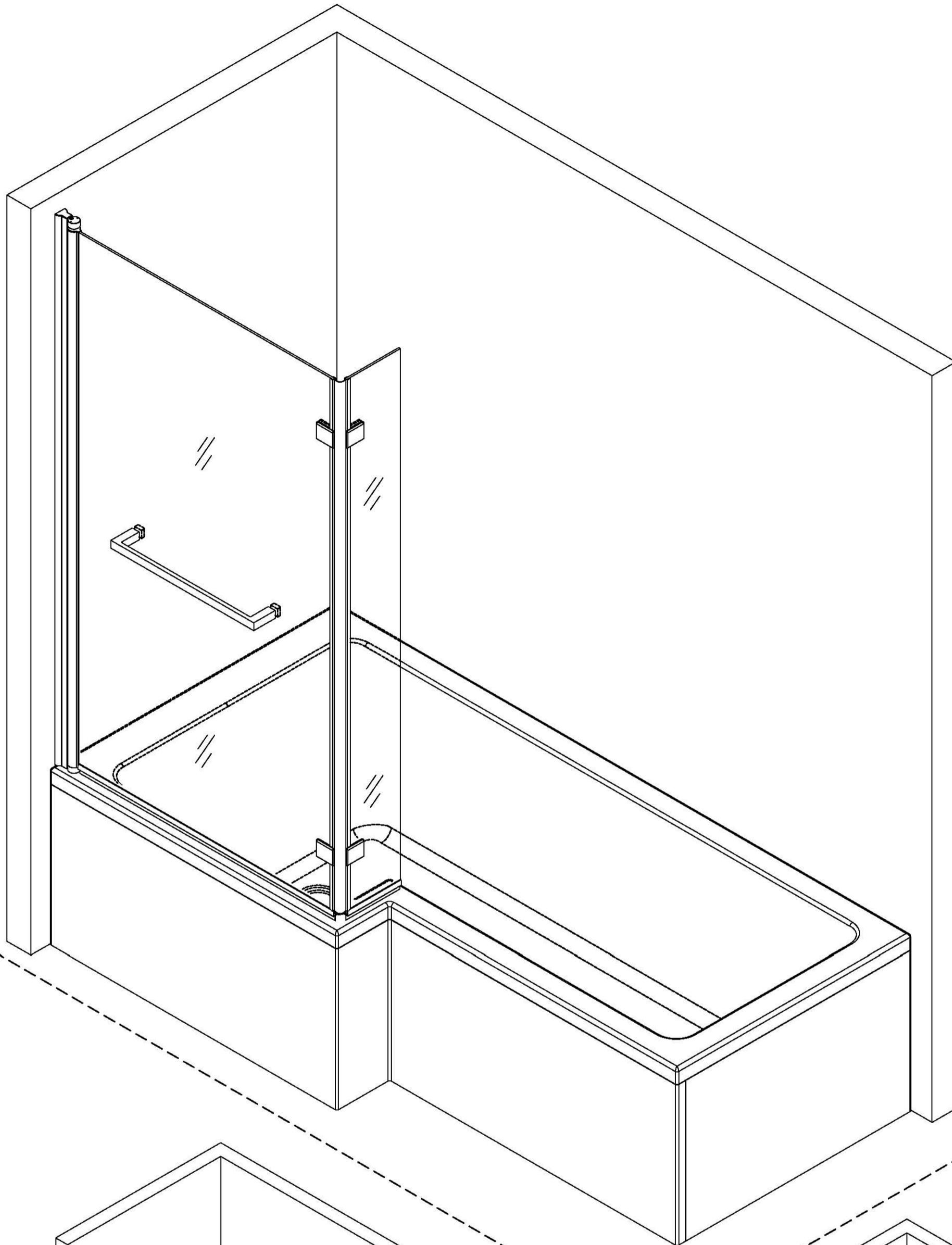
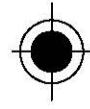
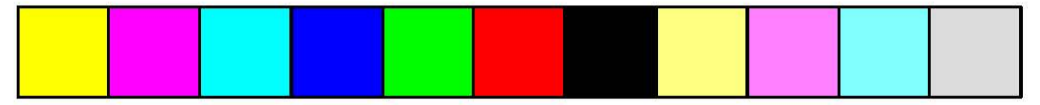
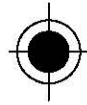


CUMDUO-GLASS

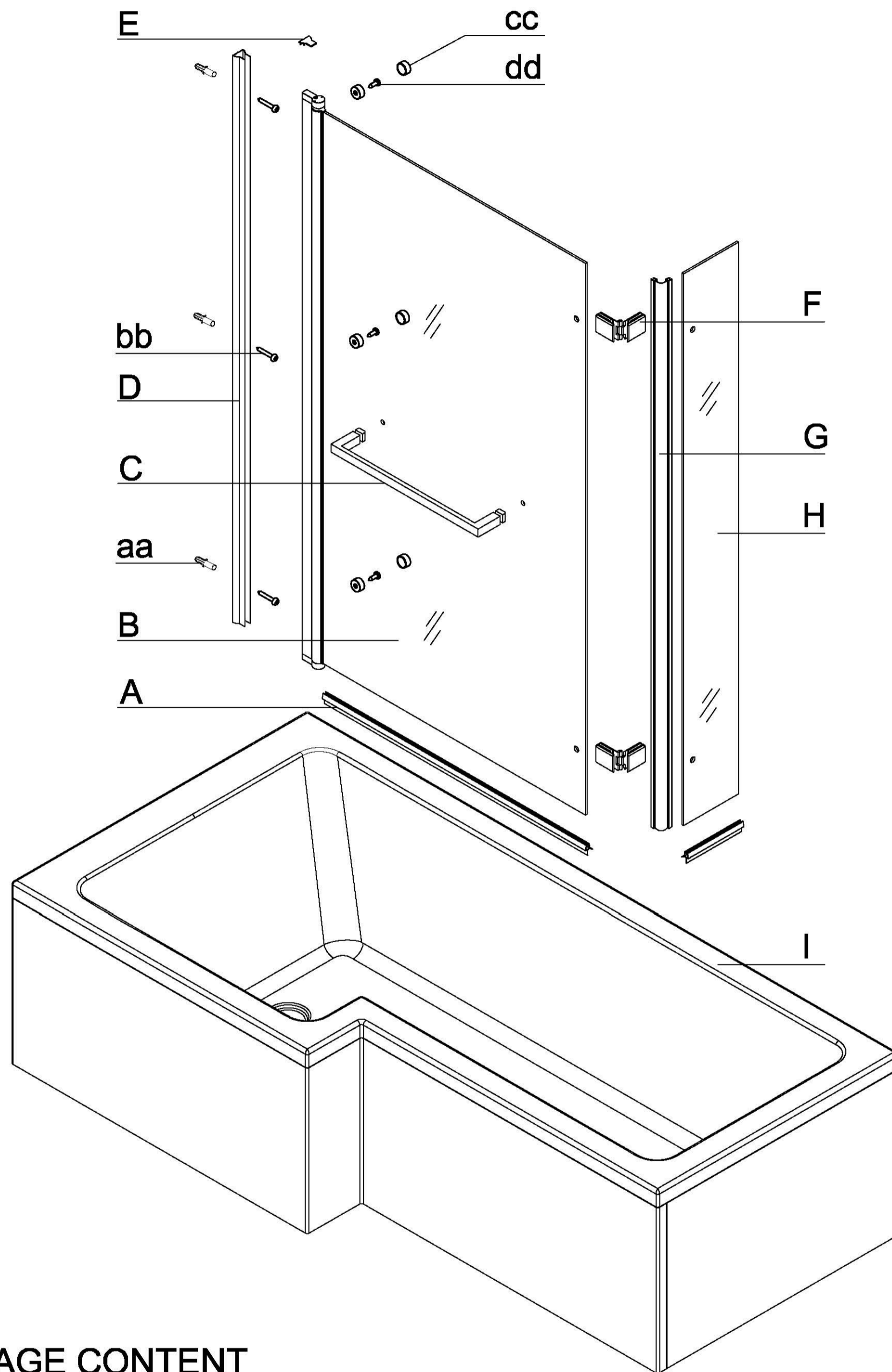


1



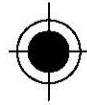


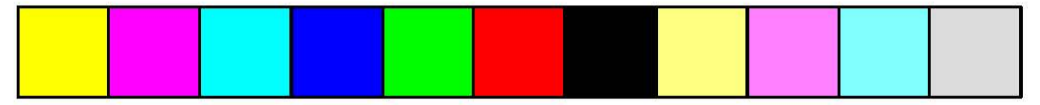
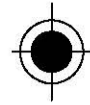
PACKAGE CONTENT



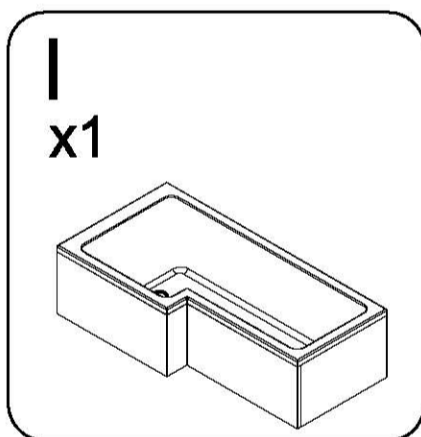
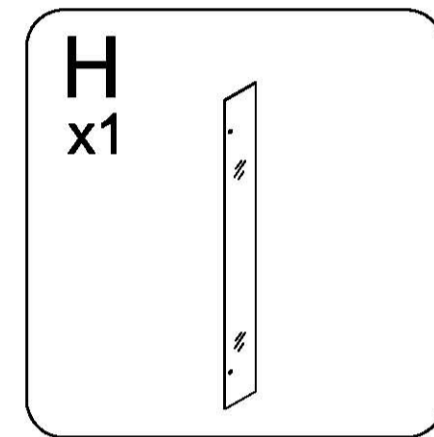
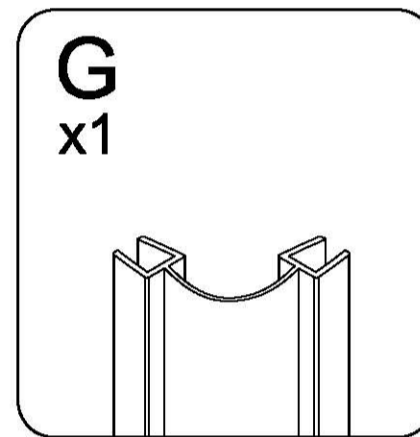
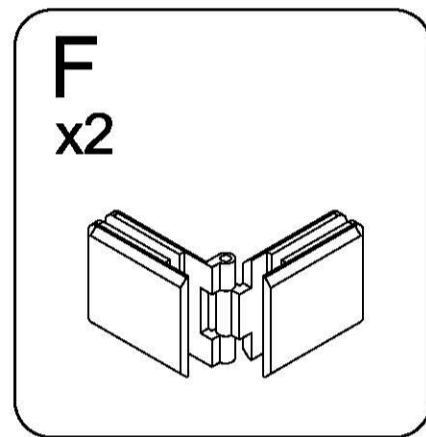
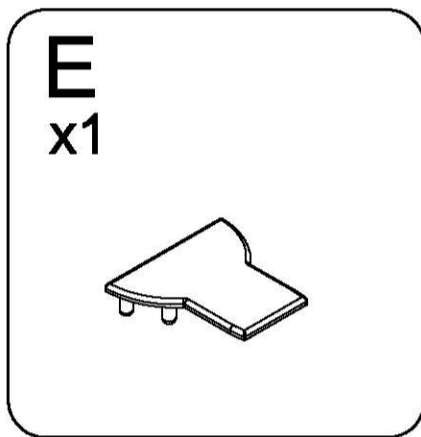
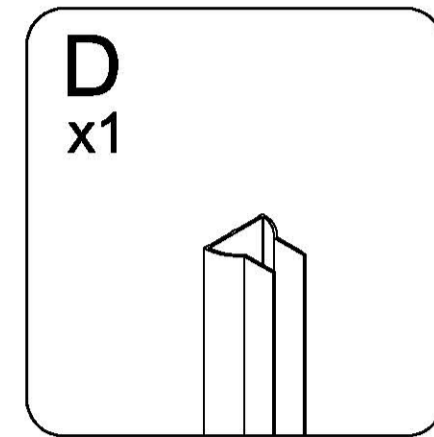
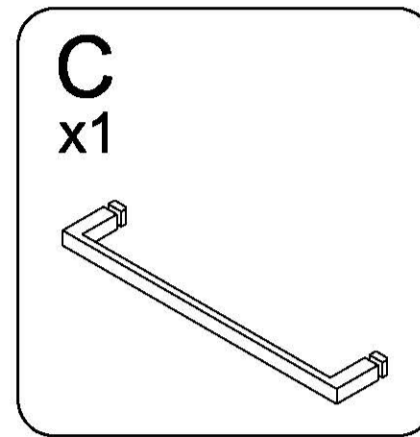
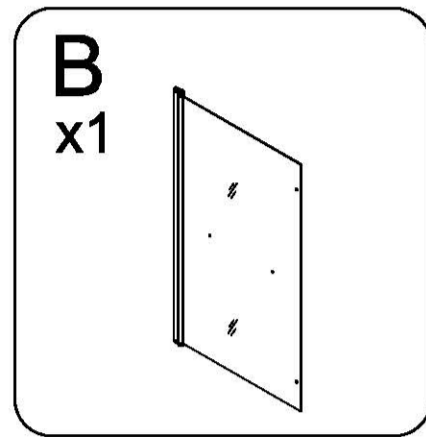
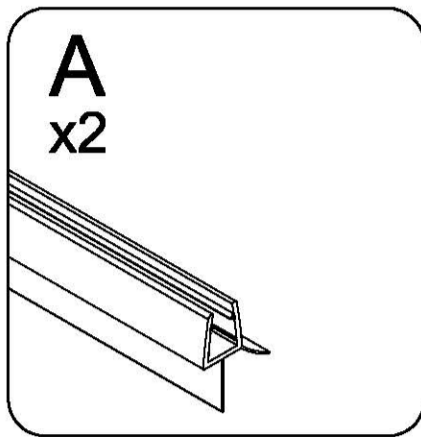
PACKAGE CONTENT

PART#	DESCRIPTION	QTY	PART#	DESCRIPTION	QTY
A	Bottom Gasket	2	F	Hinge	2
B	Door glass-1	1	G	Vertical Gasket	1
C	Towel Bar	1	H	Door glass-2	1
D	Wall profile	1	I	Bath Tub	1
E	Top Cover Cap	1			

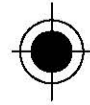
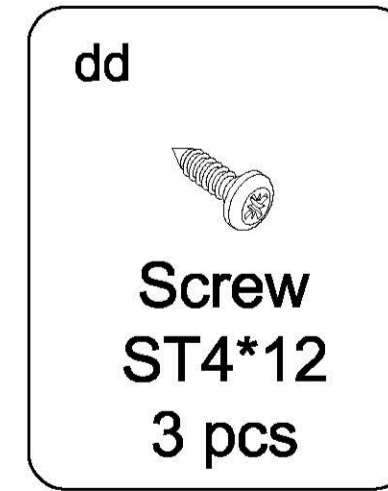
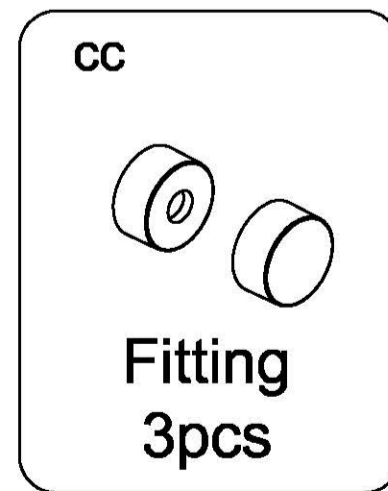
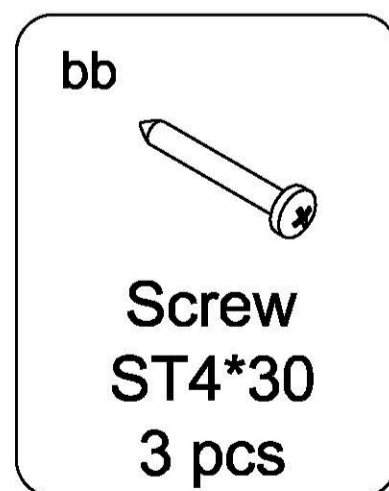
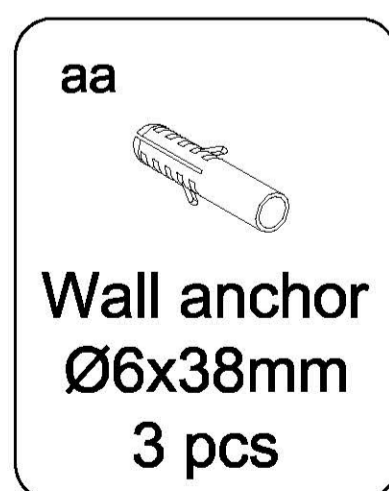




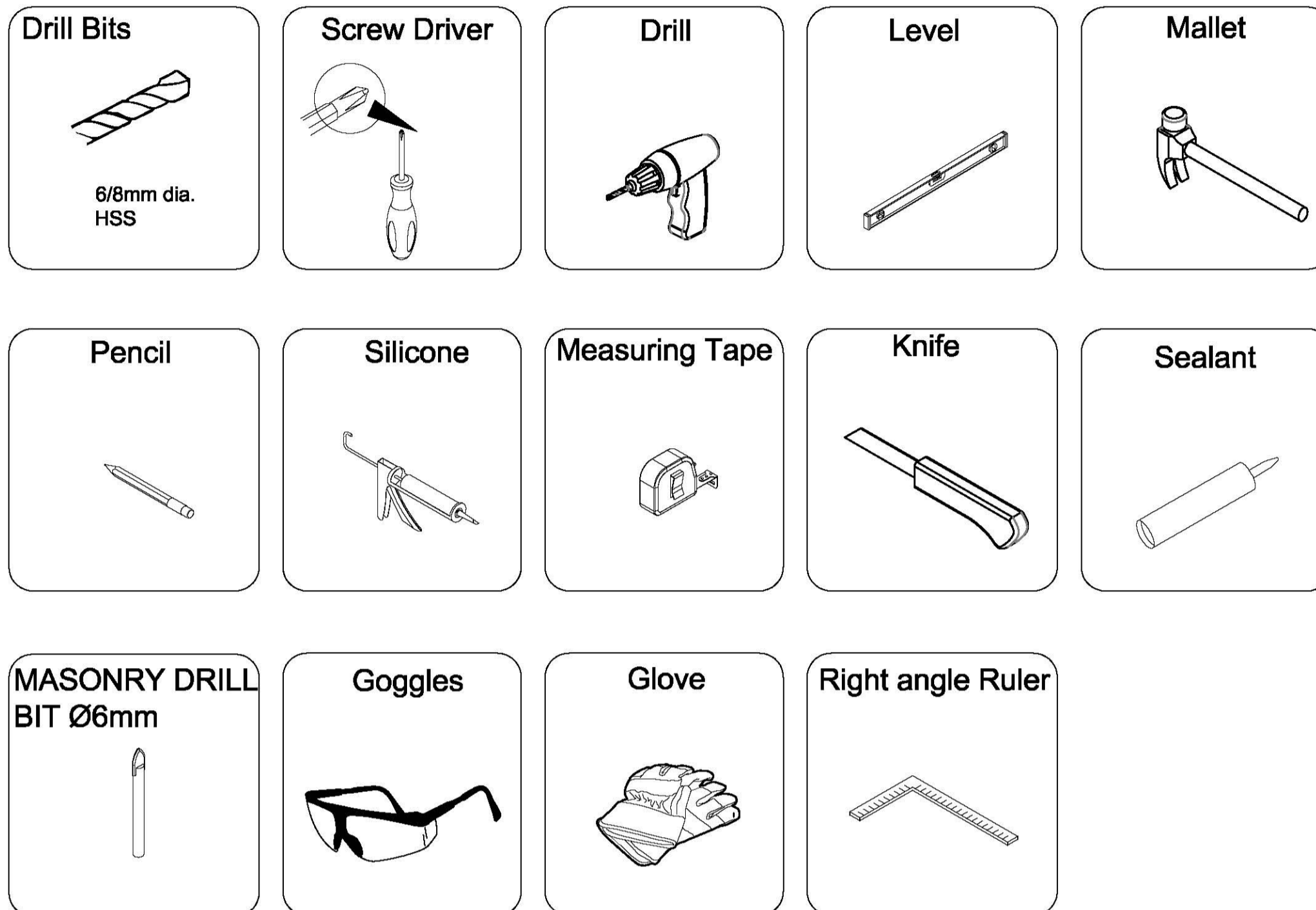
PACKAGE CONTENT



HARDWARE CONTENT



TOOLS REQUIRED



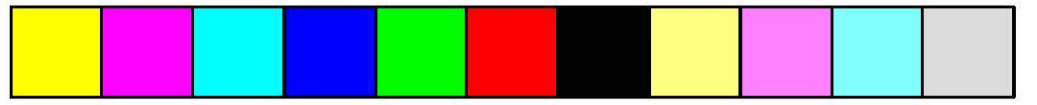
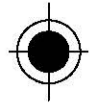
SAFETY INFORMATION

CAUTION

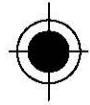
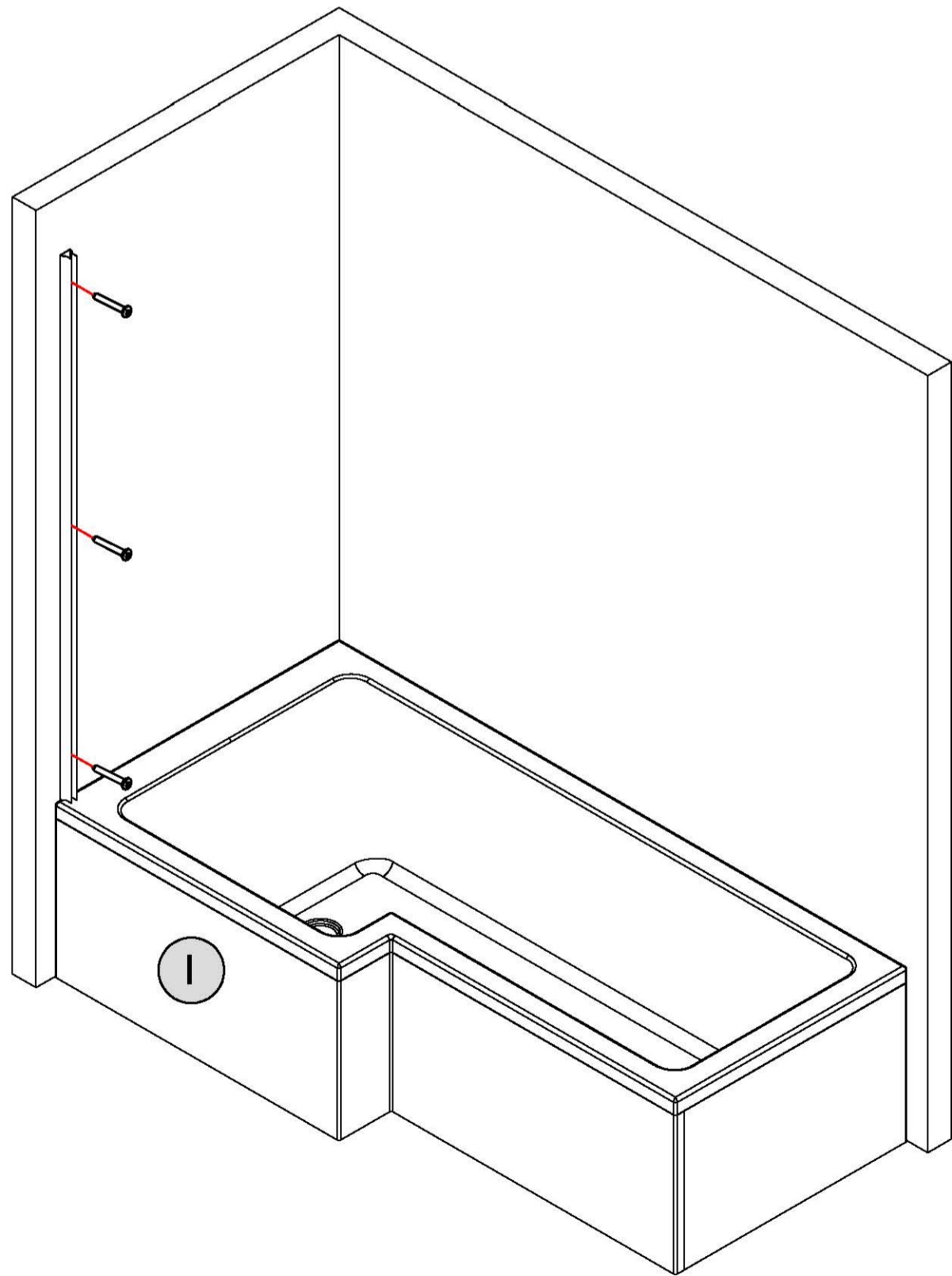
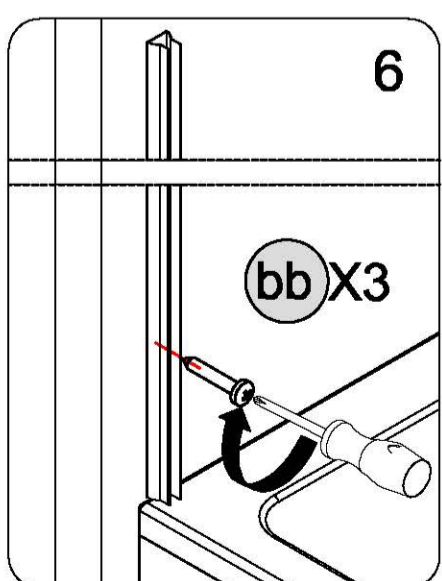
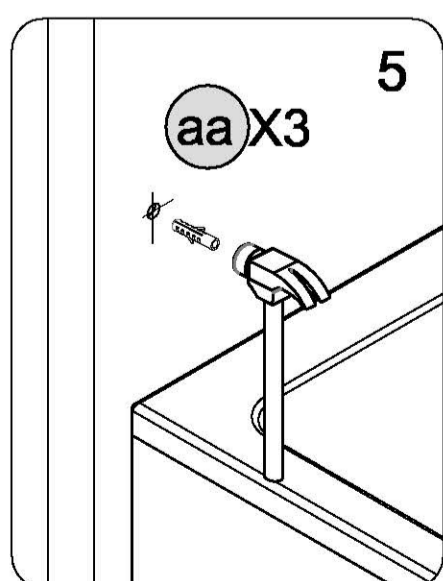
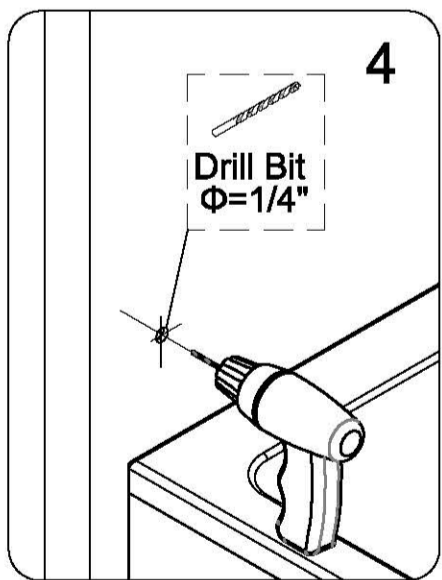
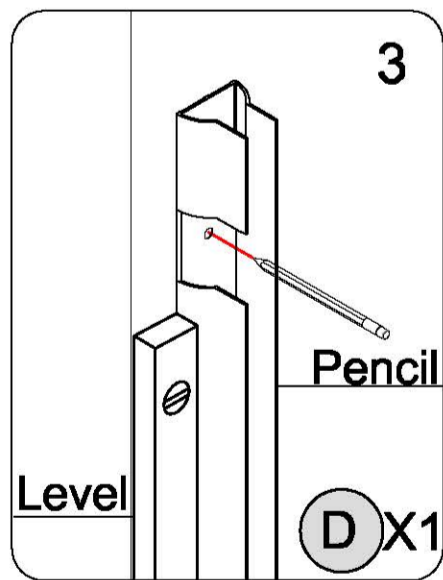
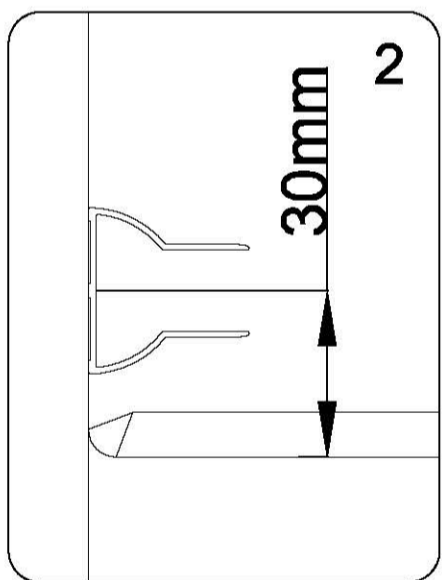
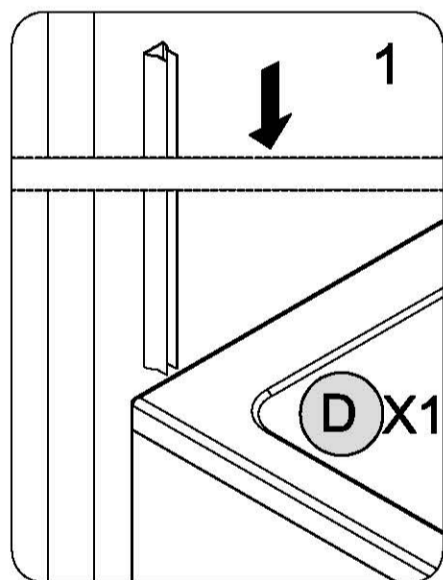
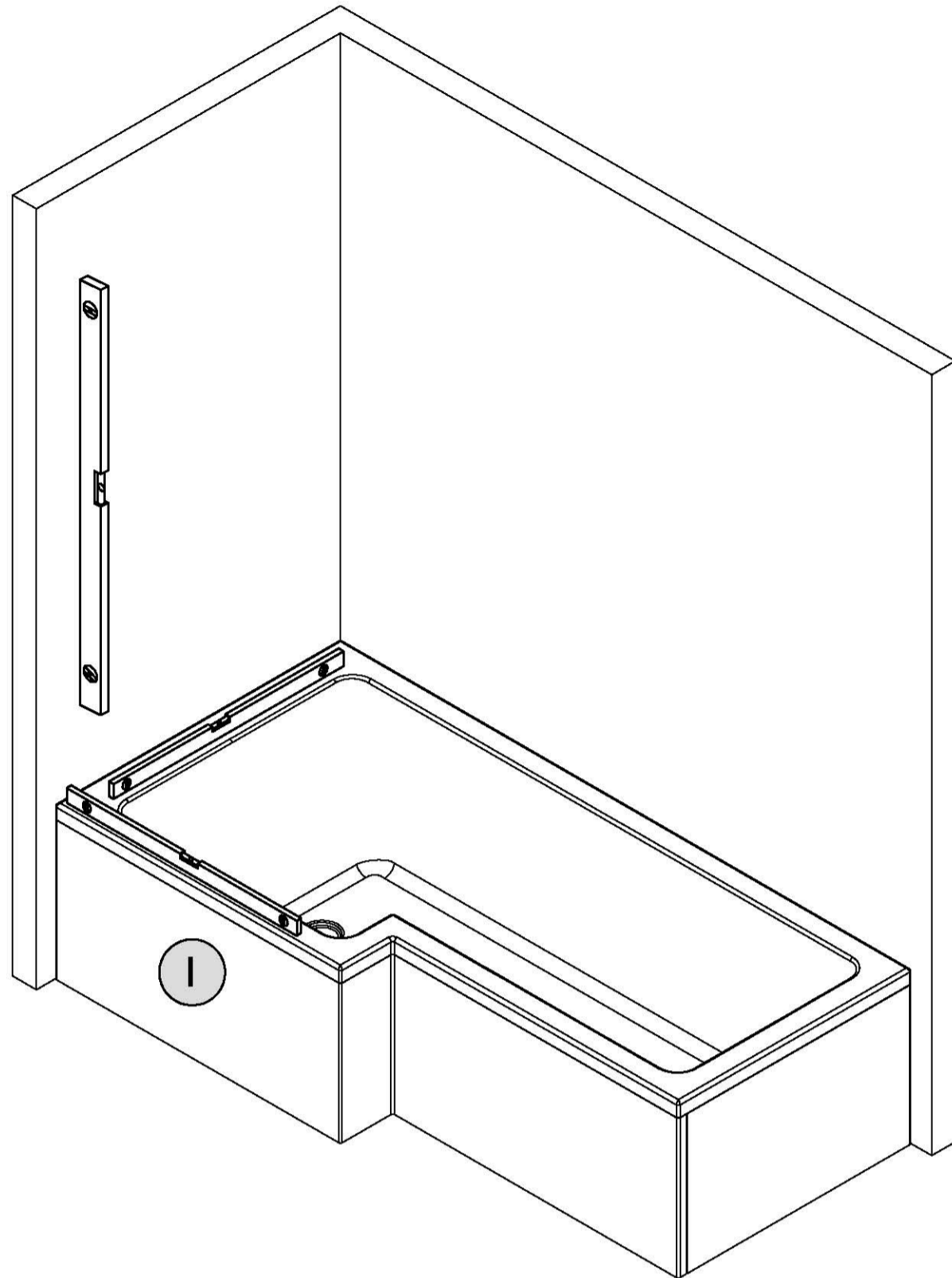
Please carefully read the following important safety information before handling or installing this shower. There is a risk of serious injury while handling this product. To minimize these risks, please note:

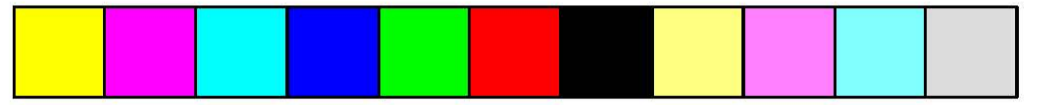
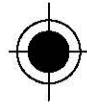
- Always wear safety glasses and gloves while handling.
- Always read and follow all the steps in the installation instructions.
- Inspect all contents and glass for damage before installation.
- Extreme caution should be taken while handling the glass during installation as the tempered glass may shatter if in contact with a hard surface.
 - Handle the tempered glass with caution! Improperly handling the glass can cause it to break suddenly in small pieces (never in pointed fragments).
 - Always take all precautions not to touch the tempered glass with any tools during the installation, or after installed.
 - Do not cut or modify the tempered glass as it will shatter if cut.
- Carefully remove product from packaging and keep packaging until installation is complete.
- Inspect all parts for damage; if there is damage to the unit prior to installation, please contact customer service at the number provided in this guide.
 - Install the shower on a floor that is level and able to accommodate the weight of the unit and an occupant.
 - Consult local building codes and compliance standards prior to installation and ensure conformity.
 - After installation, and from time to time, check the glass for fit and finish to ensure that nothing has come loose since installation.
 - Keep this installation manual for future reference.

NOTE: Heavy product ! You will need at least two people to install this unit properly.

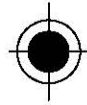
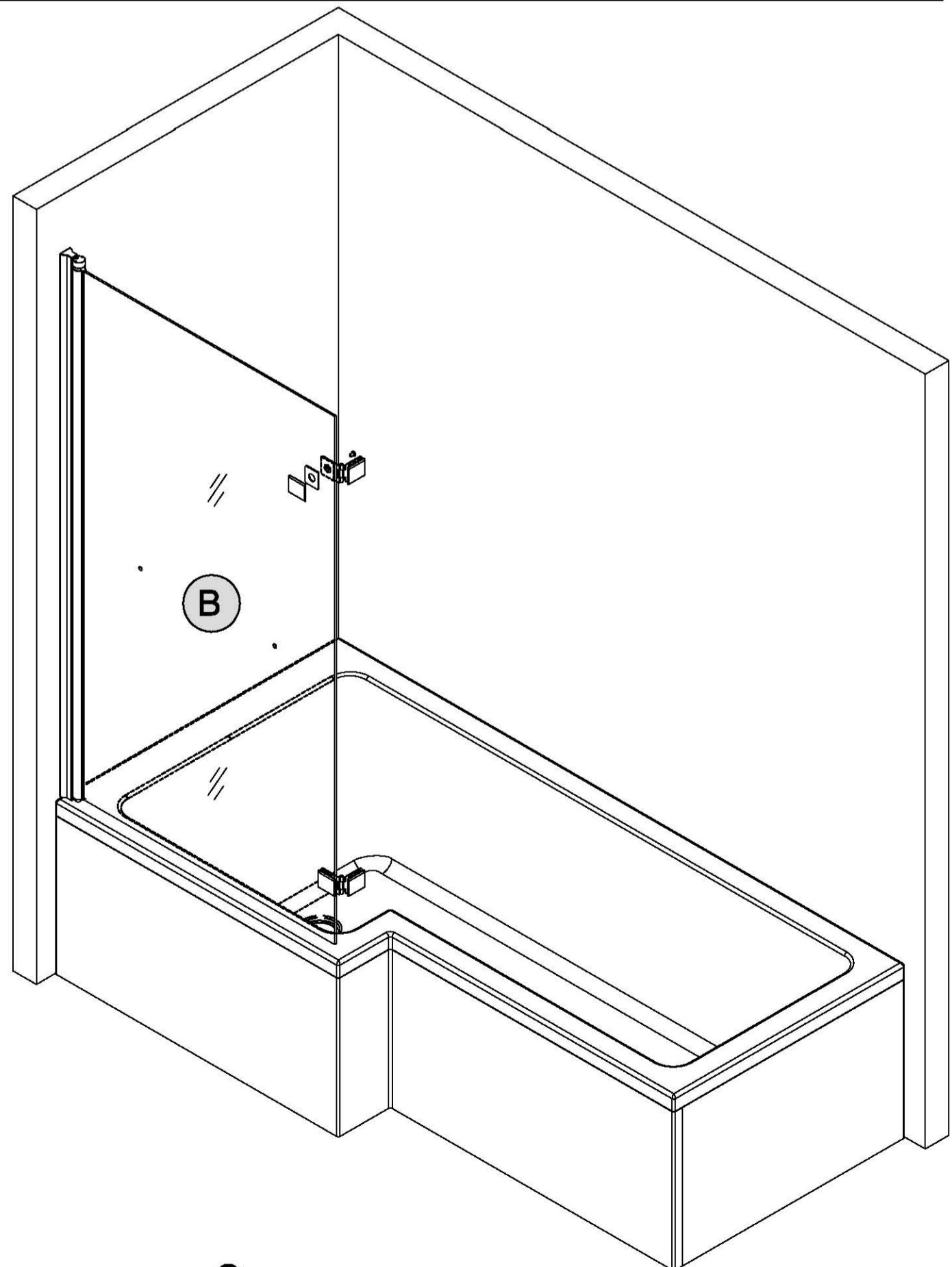
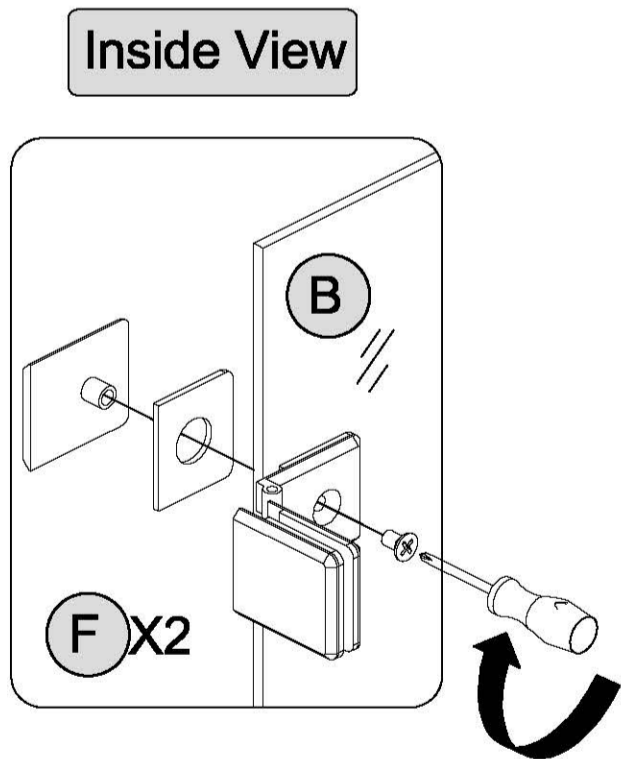
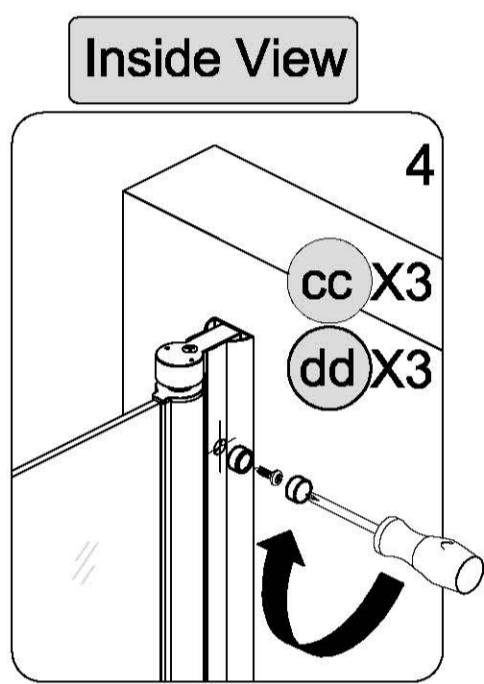
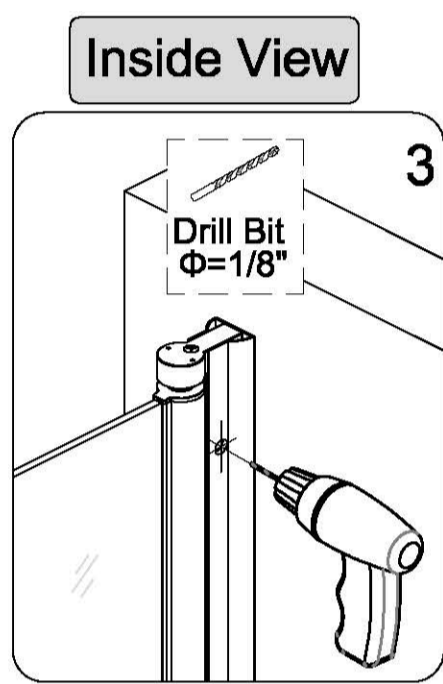
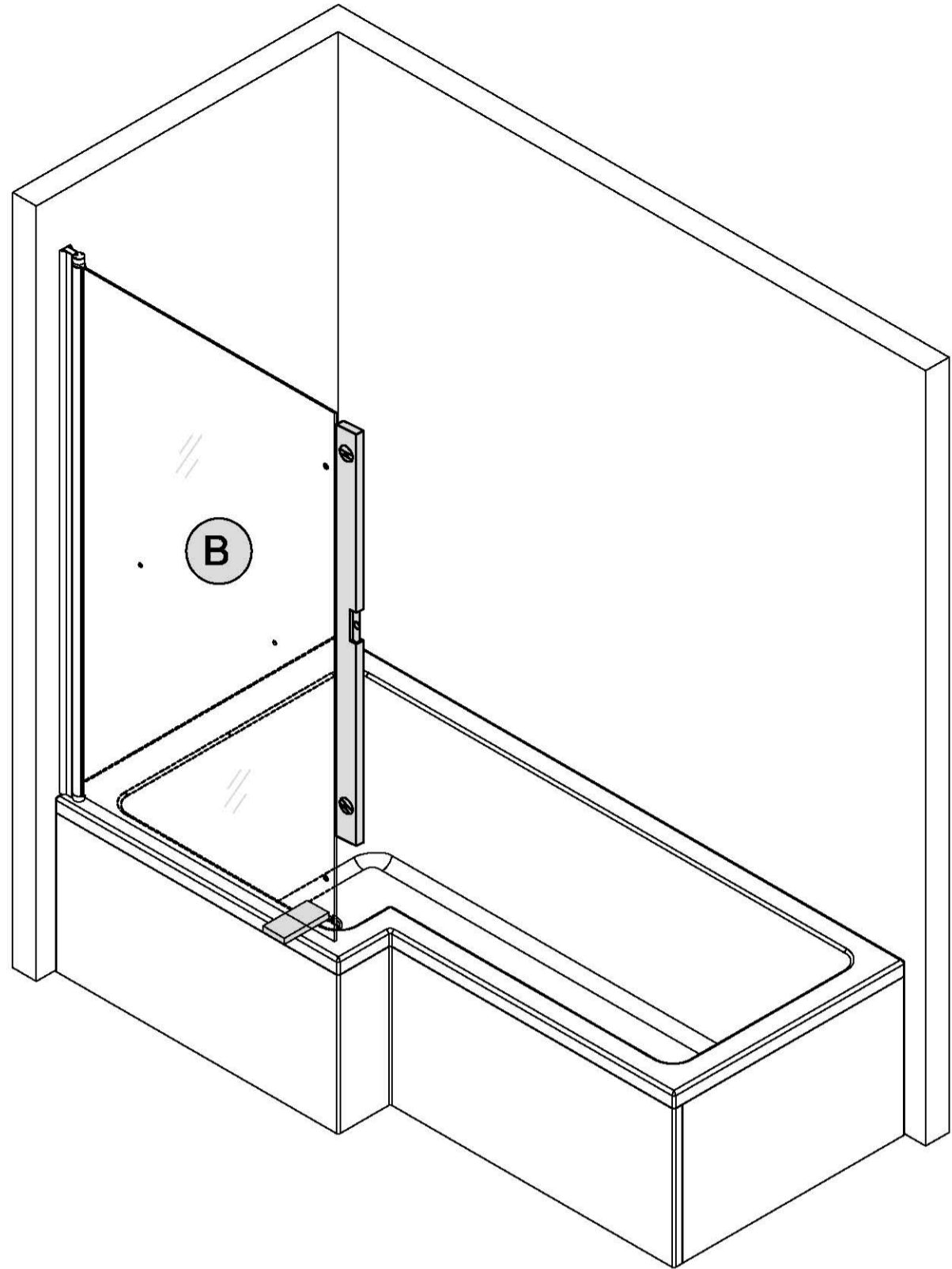
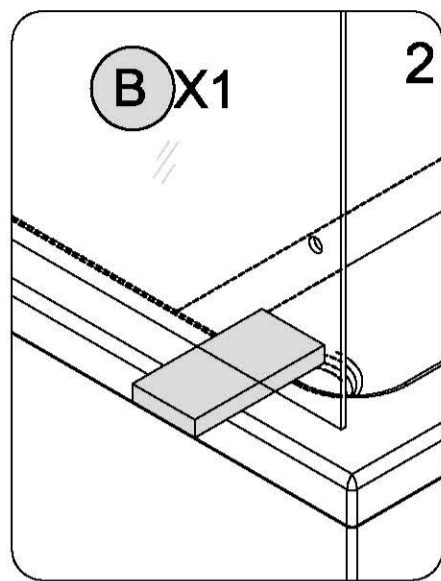
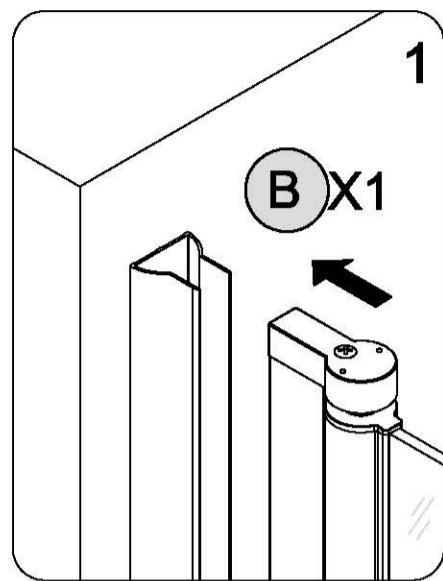


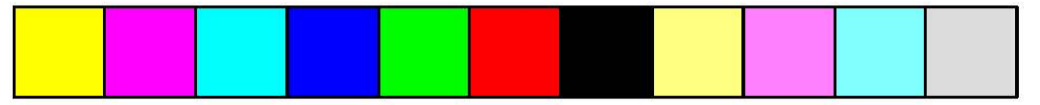
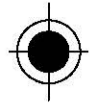
LEVEL & WALL PROFILE INSTALLATION



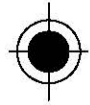
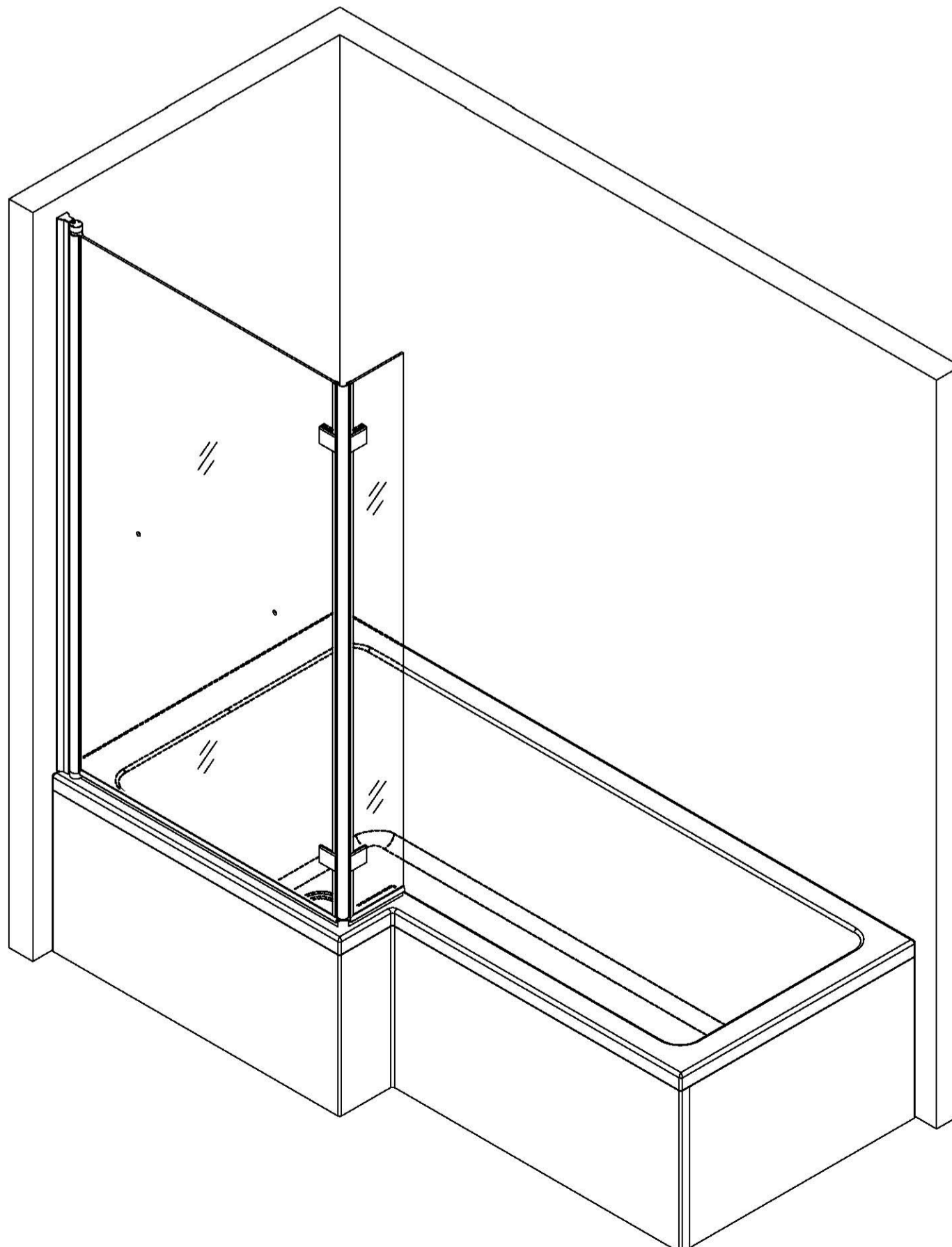
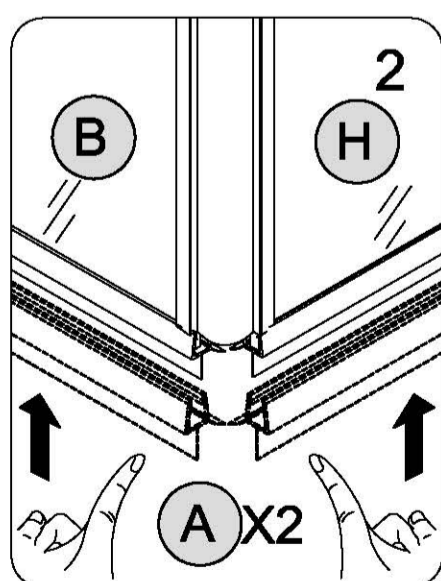
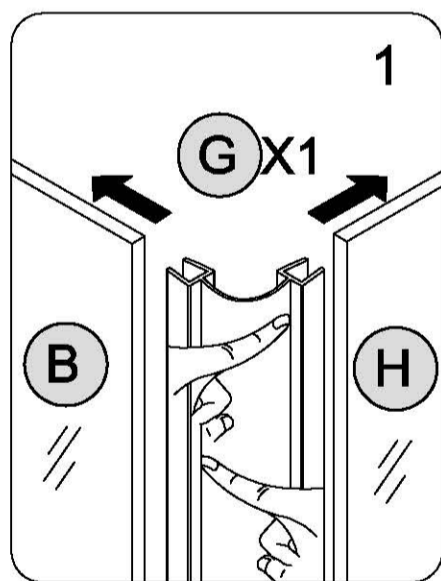
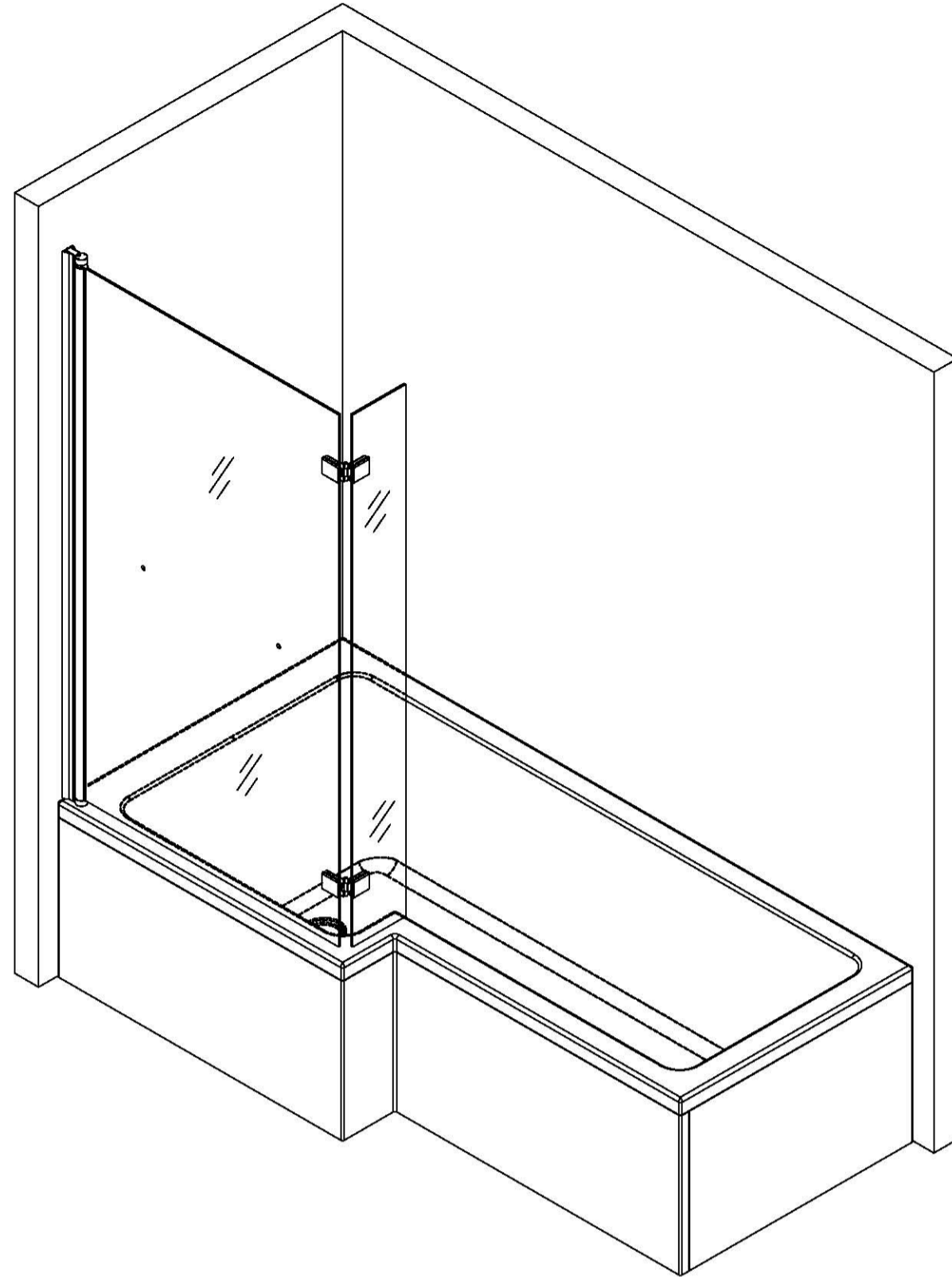
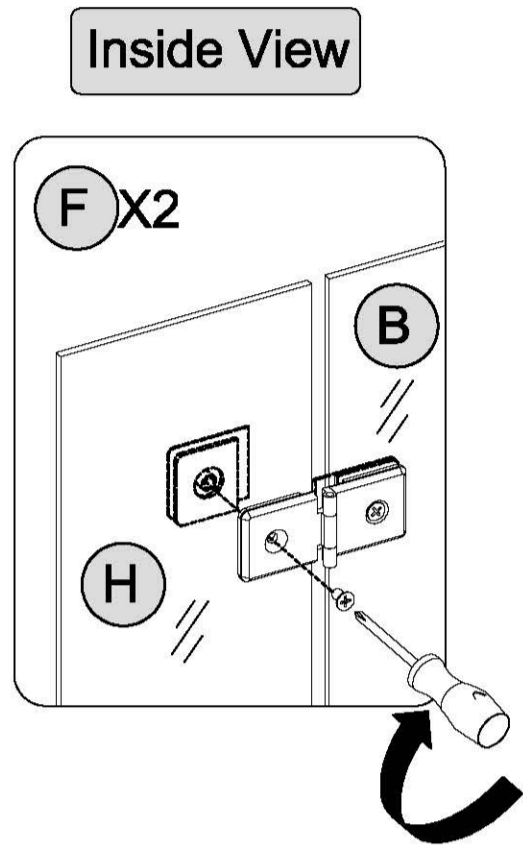


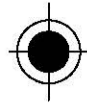
DOOR GLASS-1 & HINGE INSTALLATION



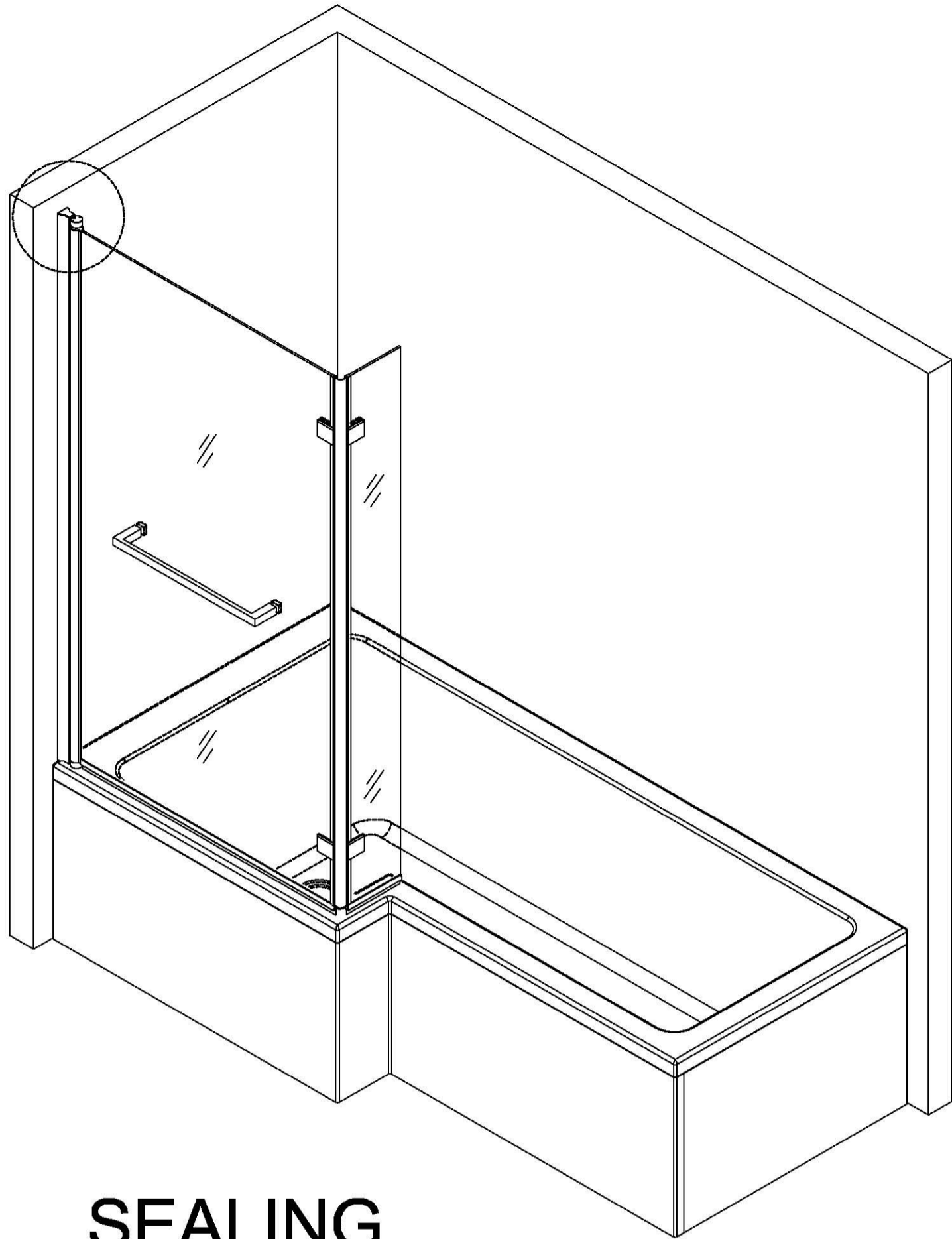
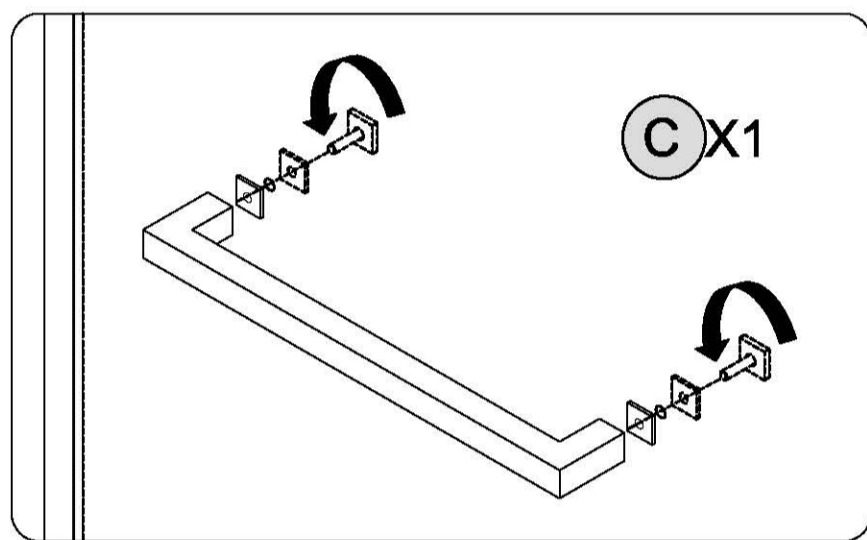
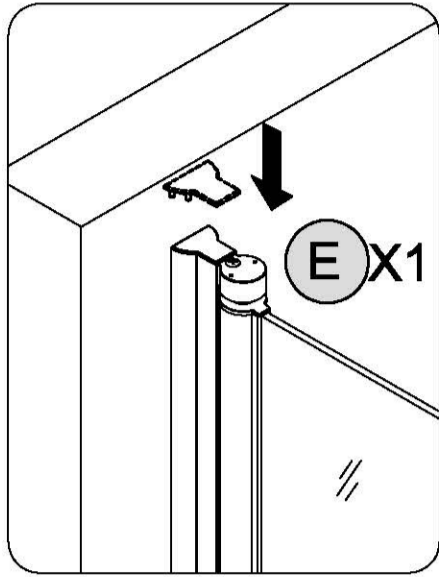


HINGE & DOOR GLASS-2 INSTALLATION





TOP COVER CAP & TOWEL BAR INSTALLATION



SEALING

Ensure that the Shower door closes tightly and opens smoothly.
Apply a good quality silicone sealant along the wall profile .
Allow 24 hours for silicone to dry before use.



! Apply Silicone Sealant, (not supplied).

