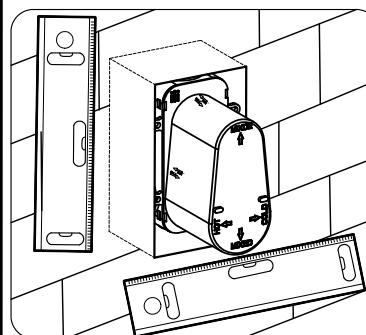
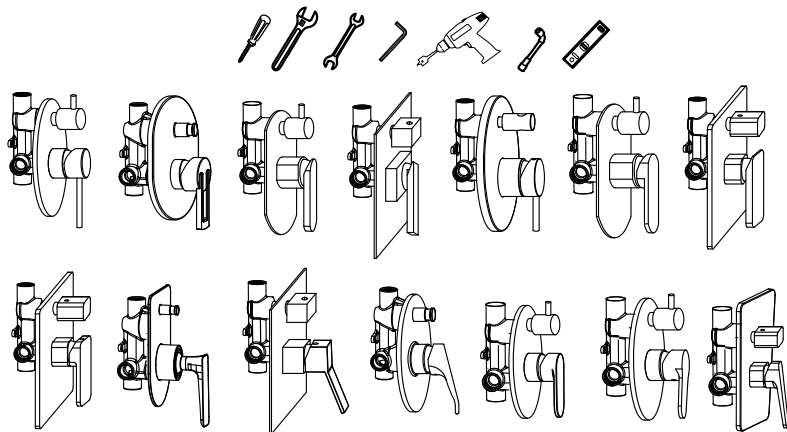
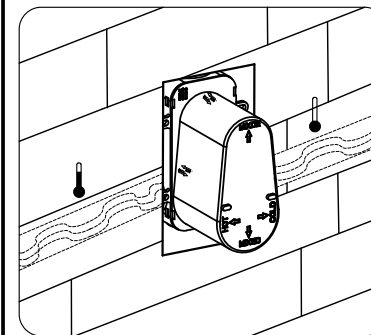


Notice d'installation

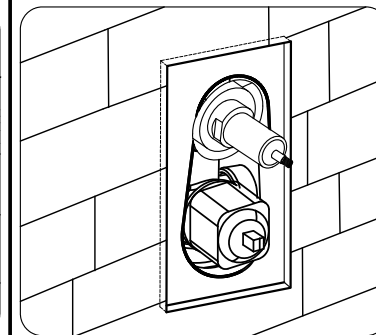
Robinet de douche à encastrer



1. Based on the size of the embedded box, dig a hole at the height of approximately 1100mm from the ground. Install the embedded box with wall-mounted body into the hole. According to the base of using the highest line or lowest line of the box to match the wall, then use horizontal rule to measure whether the box is fixed horizontal or vertical.



2. Connect the hot flexible hose on the left side of the body while the cold flexible hose on the right. Then turn off the faucet to check if there is leakage from the connector.



3. Cover the embedded box and fill in the right amount of concrete around the embedded box. When the concrete is dry, cut off the spare cover with a sharp knife along the border.

Installation and Notice

1. The internal structural parts of the faucet have been professionally installed and tested at the factory. Please do not disassemble it yourself. That may affect the function and durability of the faucet.
2. Before installation of the mixer, please ensure the main valve is open, to flush the impurities such as steel wire in the water pipe, to prevent the mixer from being blocked and consequent negative impact on flow rate and function.
3. Please install as per the installation manual, to ensure the operation is correct. Do not assemble by force to prevent damages to the components of the mixer.
4. Please ensure the connection between the mixer and the hot/cold main is correct. When faced with user, the left side of the mixer shall be connected with hot main and the right side connected with the cold main.
5. After installation of the mixer, please check the tightness of each junction to ensure no leakage between the mixer and the water pipe connector. Reopen the main inlet control to flush the pipe for 1 min.
6. For further inquiries, please contact directly with the local dealers.

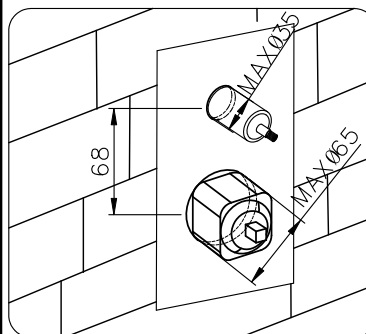
Instructions

To remain the shineness of the mixer, please follow the below:

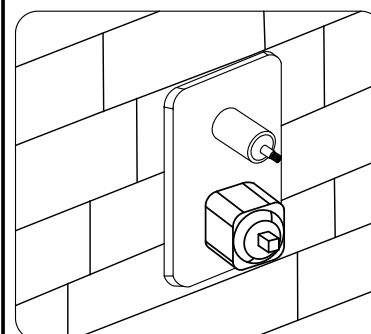
1. For normal use of the mixer, only water and soft cloth is needed to clean and dry it. It's better to remove all the remaining water on the tap everyday!
2. If there is smudginess on the mixer that is hard to remove soft liquid cleanser or neutral glass lotion shall be applied for cleaning. After cleaning, please use water to rinse the mixer and soft cloth to dry it.
3. Do not use those liquid cleanser that might cause abrasion, sandcloth or hard tools to rub the mixer.
4. Do not use any acid or crude liquid cleanser, soap or abrasive material for increasing the shineness, to clean the mixer.

Cautions

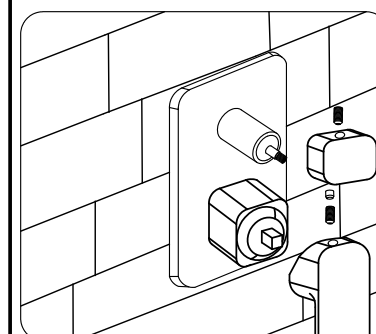
There are different kinds of mixers that shall be opened by various ways, such as open and close by single handle, swiveled by single handle or by dual handles; And different kinds of divertors shall be opened either by push, or by pull, or by swivel, or by swivel movement of the spout. Fixed positions are set for different functions. Do not pull and push by force to avoid damages to the functions of the mixer.



4. Make a tile or slate cover based on the size of the embedded box, then open two holes on the cover according to the size of the faucet. Fill in the right amount of concrete around the embedded box, and cover the sealing with the tile or slate cover.



5. Install the plate on the faucet and make it stick to the wall.



6. Install the handle on the body, tighten the hexagon screw to fix the handle and fill in the stud. Install the diverter handle on the diverter and tighten the hexagon screw.