

STANDARD BATH-LED FITTING INSTRUCTION

3.x4 180mm

4.x8 45mm

5.x12 13mm

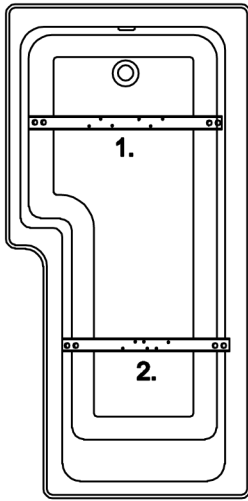
6.x8

7. x12
 Ø12

8. x4

1.x1
2. x1
550mm
650mm
9.x4

1.

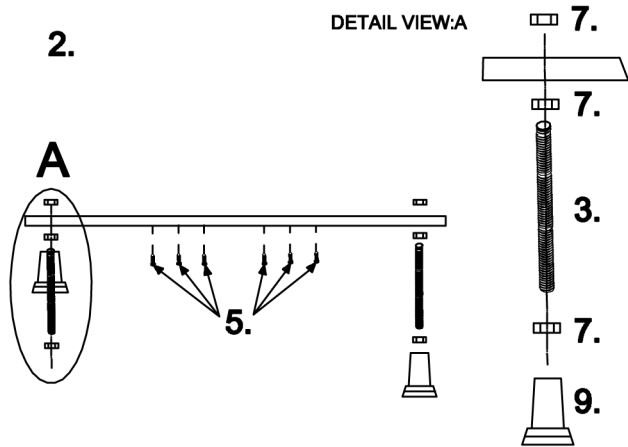


ATTENTION!
REMOVE FILM PRIOR TO FITTING

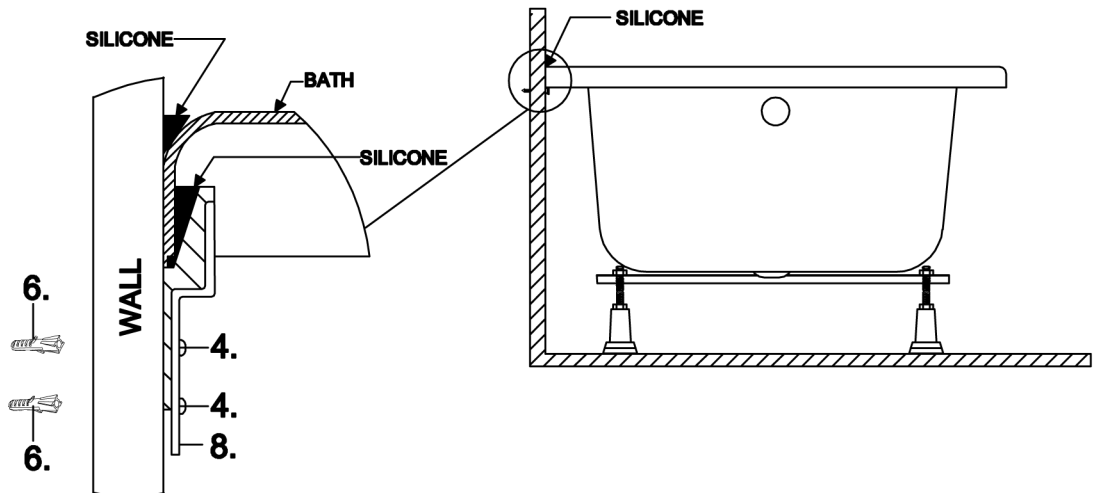
- Before fixing and bath or panel-remove ALL protective covering and examine carefully. The polythene film must be removed in full and the bath checked for any visible damage
- Check the panel fit and match prior to installation
- When relevant the bath should be set to supplied panel height

NO CLAIMS FOR THE ABOVE WILL BE ACCEPTED ONCE THE BATH IS FITTED

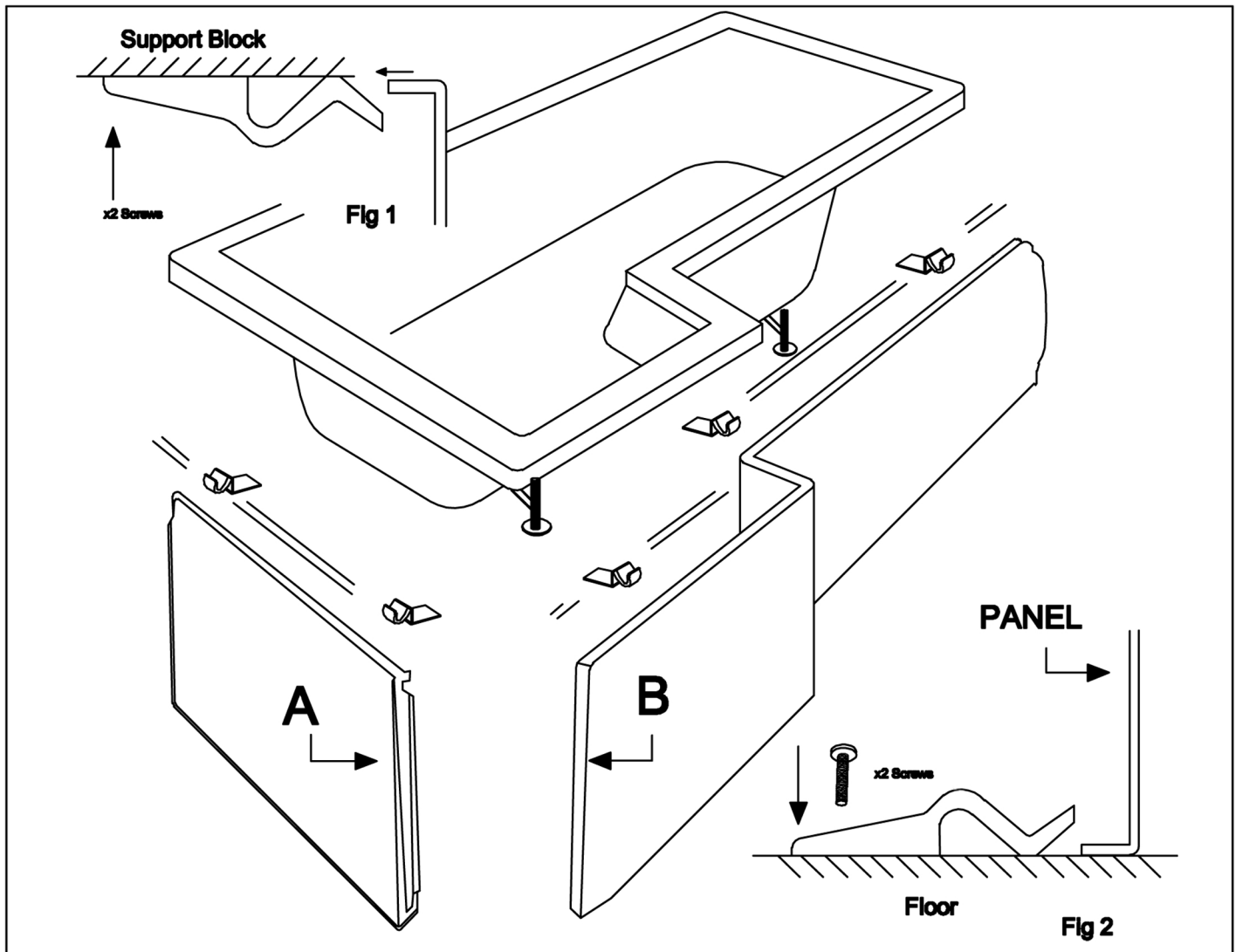
2.



3.



PANEL FIXING INSTRUCTIONS



Should the cutting of panels be necessary (due to water pipes or skirting boards) a small fine toothed saw or sharp knife is recommended. Please use appropriate care and safety equipment.

1. Fit both panels in position, locate top flanges of the panels between the support block and panel clip (Fig 1)
2. Ensure that both panels are set vertical and that the end panel (A) is located behind front panel(B) at corner joint
3. To secure the panel to the wall use a piece of timber secured to the wall vertically. For the floor - Secure x3 panel clips for the front panel to the floor directly in line with the clips fitted to the bath. (x2 panel clips for the end panel) (Fig 2)
4. Small mirror screws can be used to secure the panel against the timber. Alternatively Velcro or Magnetic strips will secure in a neat fashion.