

GBM500.01

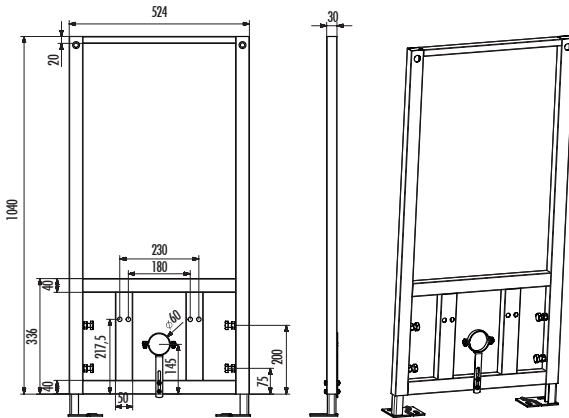
GBM500.01

Quick Installation to Front of the Wall for Bidets

Weight:

10,880 kg

TECHNICAL DRAWING



SPECIFICATIONS



Creavit keeps its rights of making any change to the products.



Quality Management Systems



Customer Satisfaction Certificate



Environmental Management System



Occupational Safety & Health Management System

LGA

Germany Accreditation Certificate

kiwa

Netherlands Accreditation Certificate

GOST - R

Russia Accreditation Certificate

UkrSEPRO

Ukraine Accreditation Certificate



Israel Accreditation Certificate



Nigeria Accreditation Certificate



European Accreditation Certificate



Turkish Accreditation Certificate