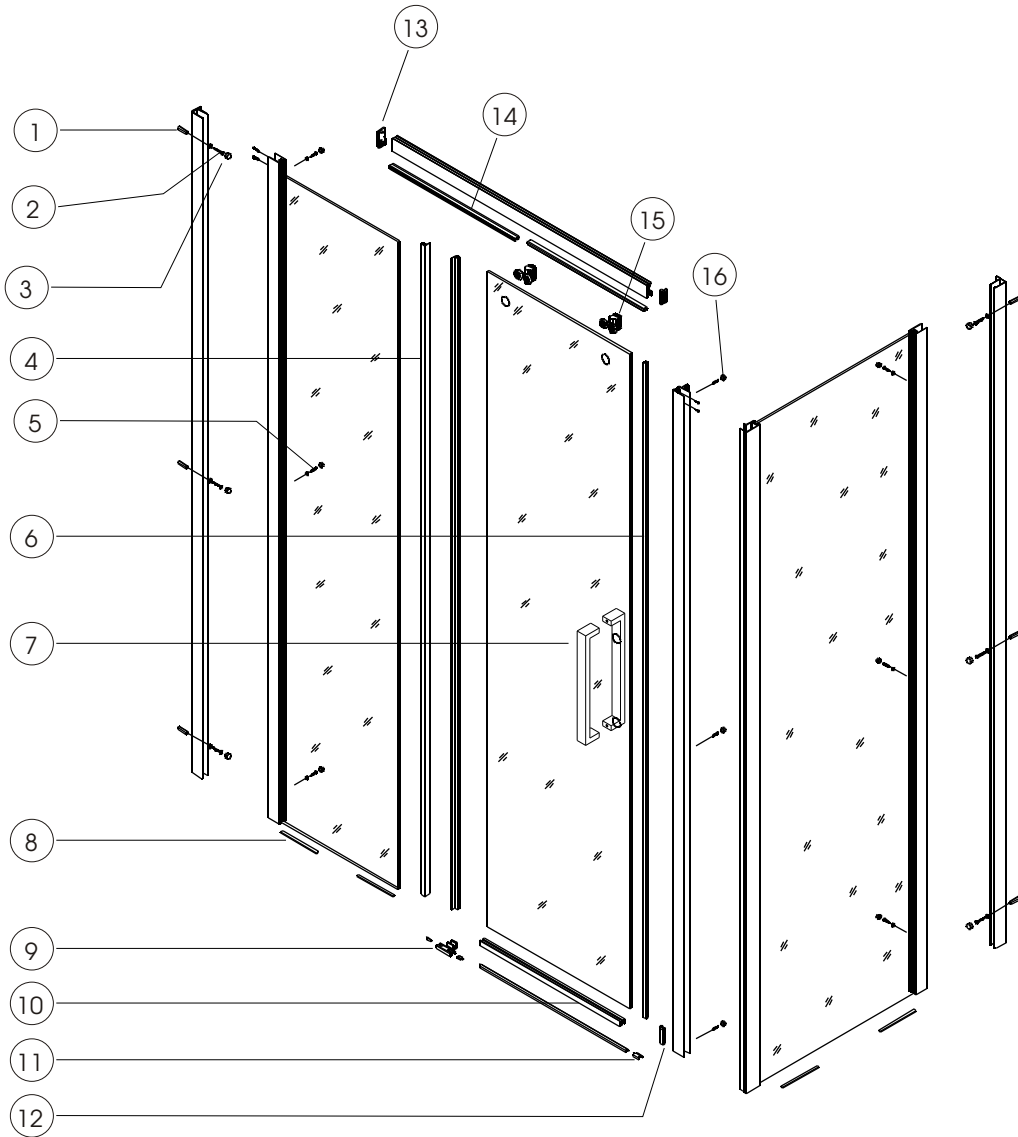


# Installation instruction

## I. Body part:



## II. Tools:



Electric drill      Pencil

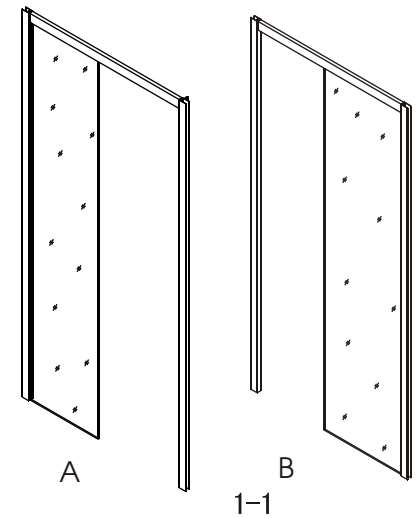
Hexagonal spanner      Tapeline

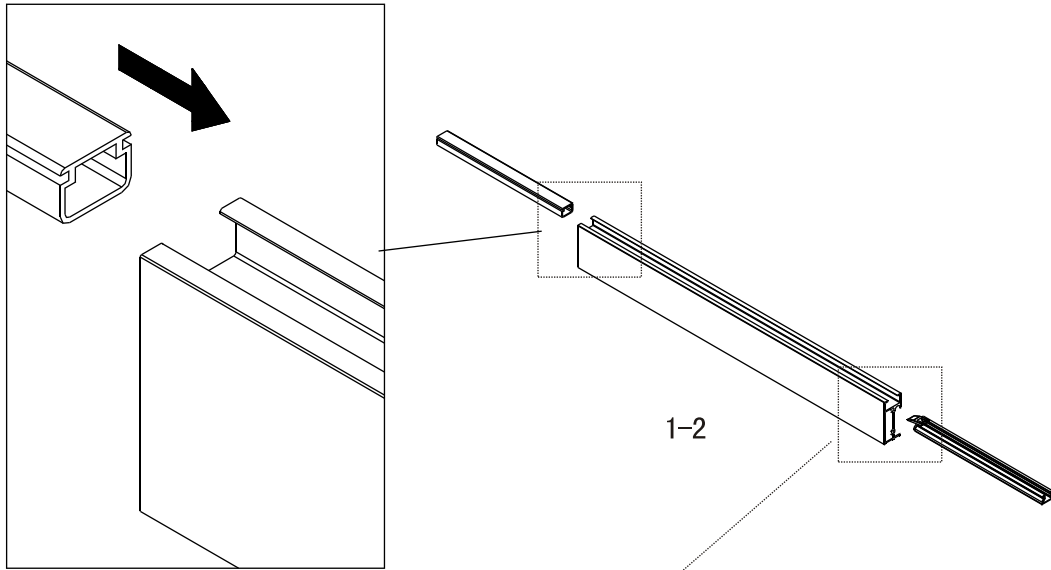
## III. Hardware list:

Number	Pic	Qty	Number	Pic	Qty	Number	Pic	Qty
1		6	7		1	13		1/1
2	ST4*30	6	8		2	14		1
3		15	9		1	15		2
4		2	10		1	16		3
5	ST3.5*13	9	11		1			
6		1	12		1			

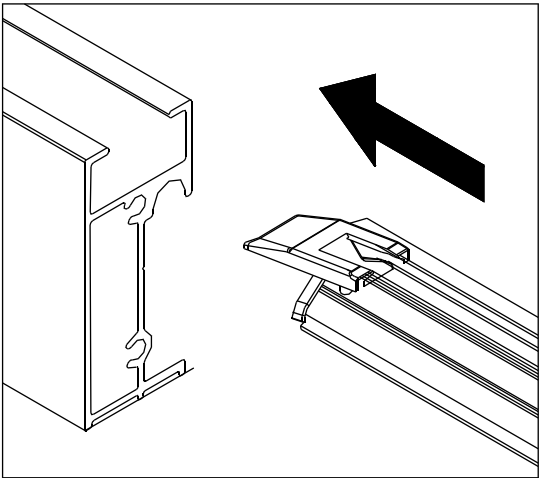
## IV. Steps:

Note: please confirm the fixed glass direction A or B before installation.

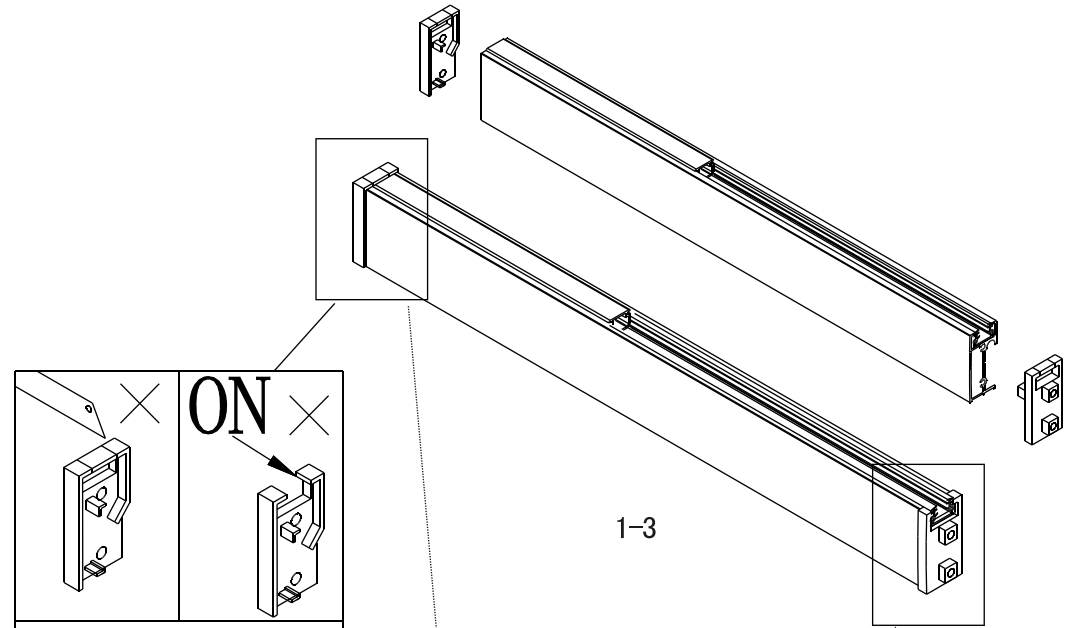




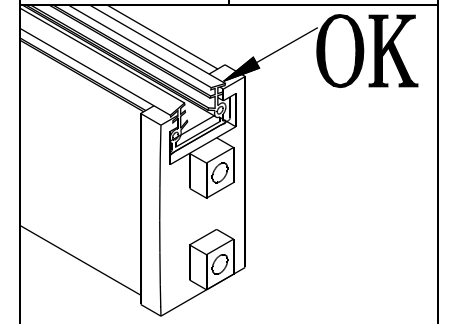
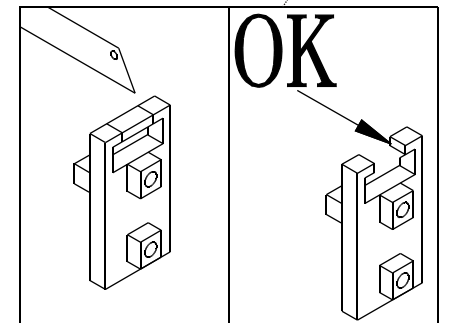
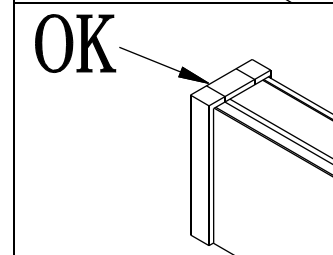
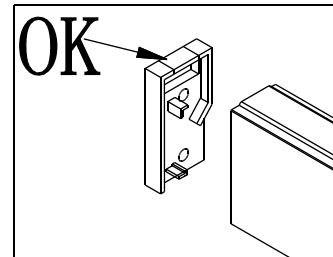
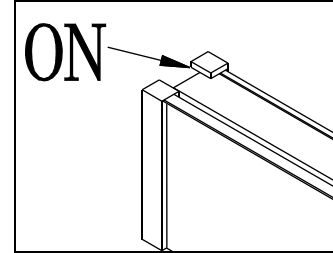
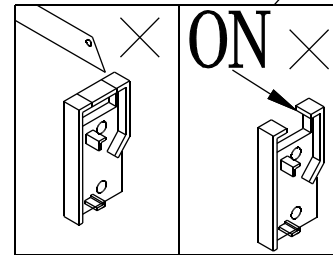
1-2



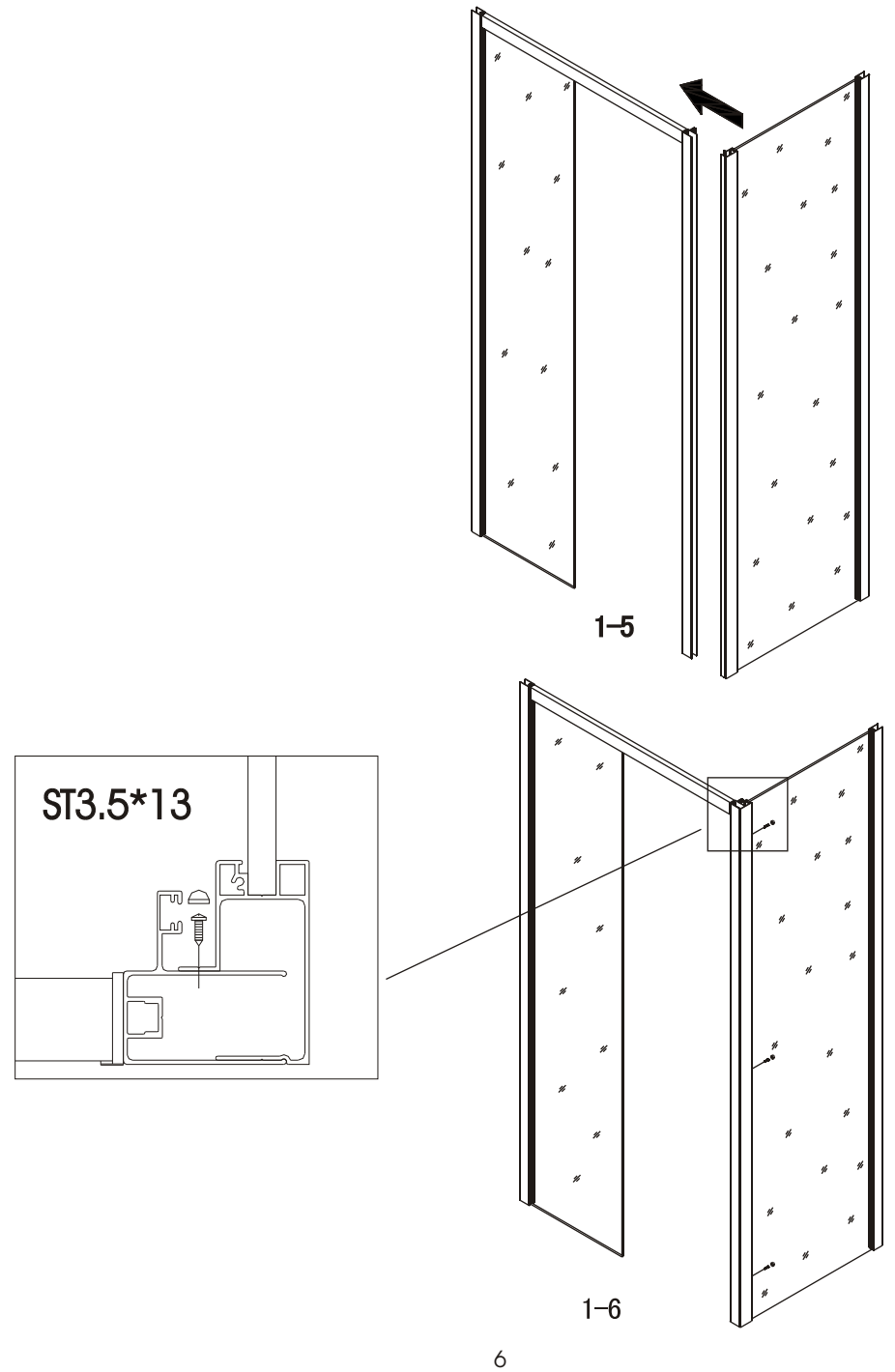
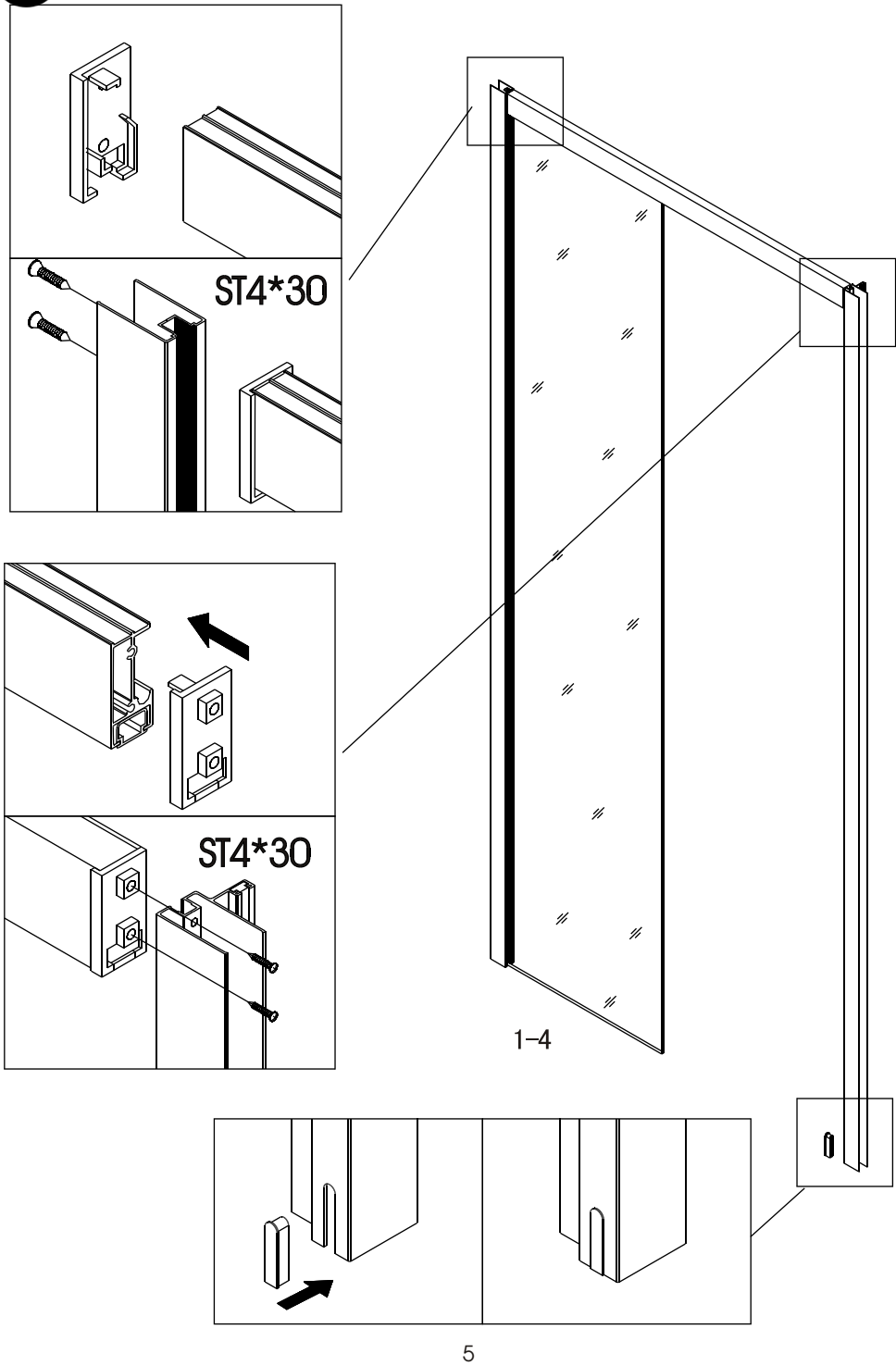
3

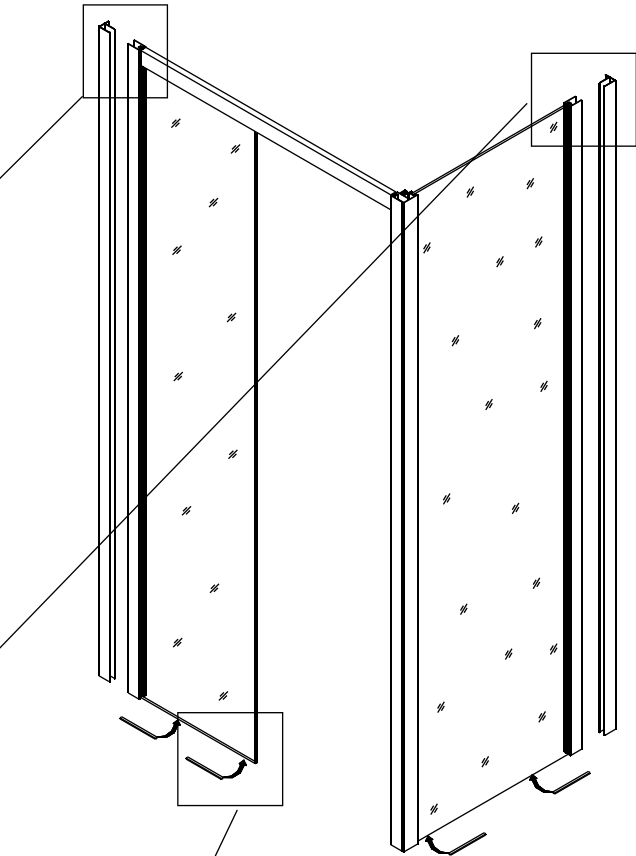
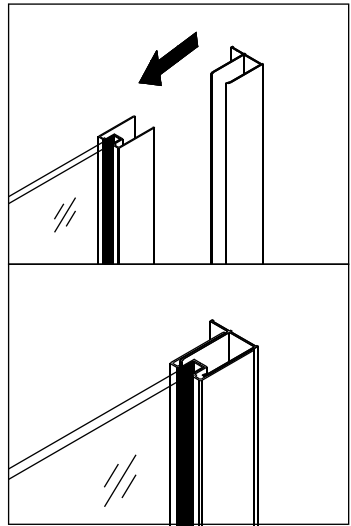
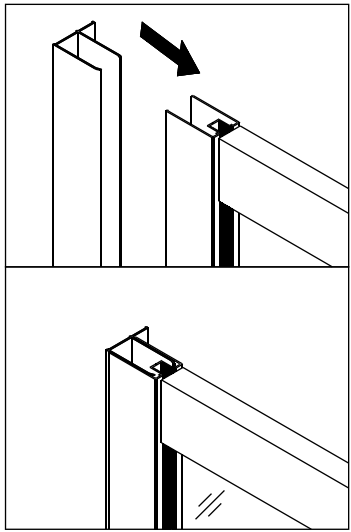


1-3

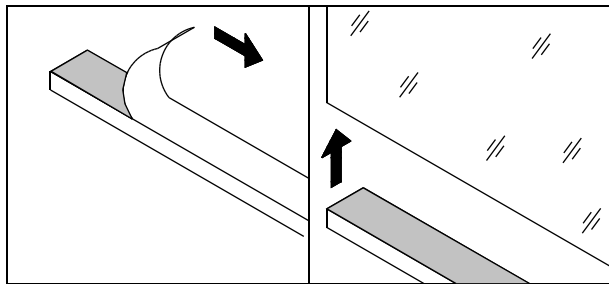


4



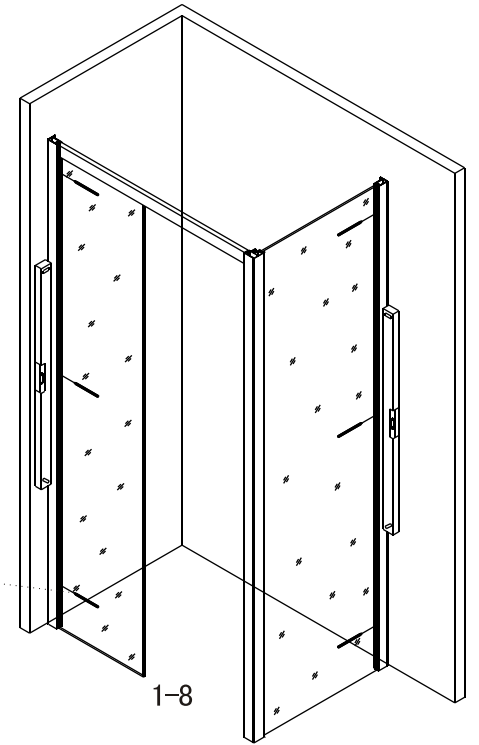


1-7

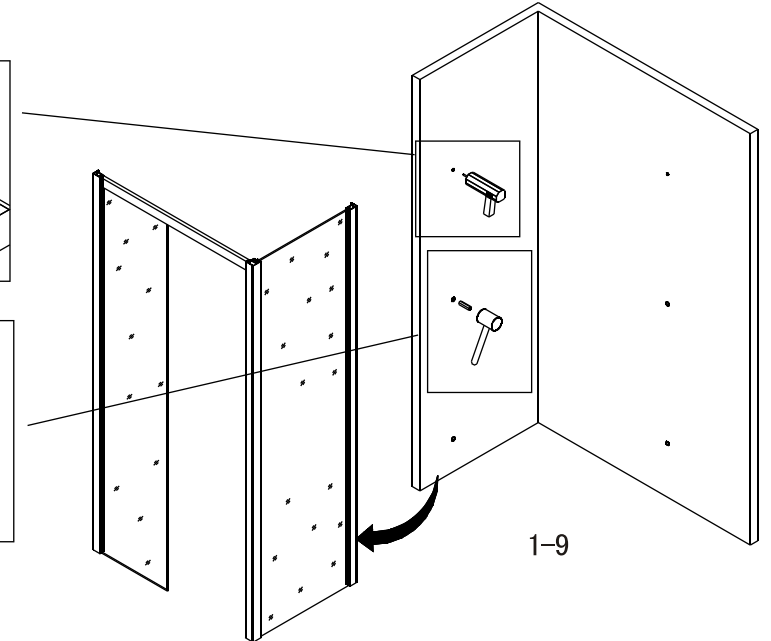
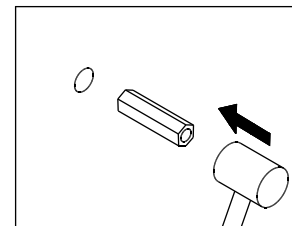
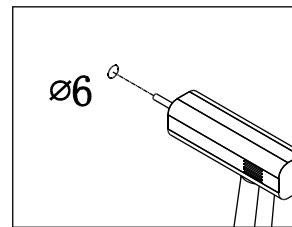


7

Pencil

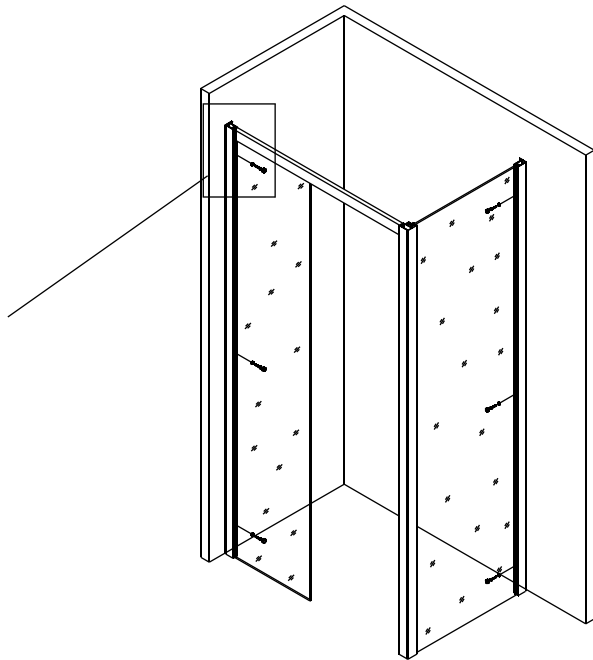
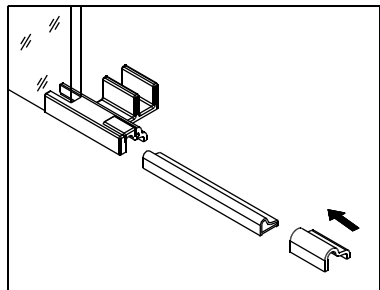
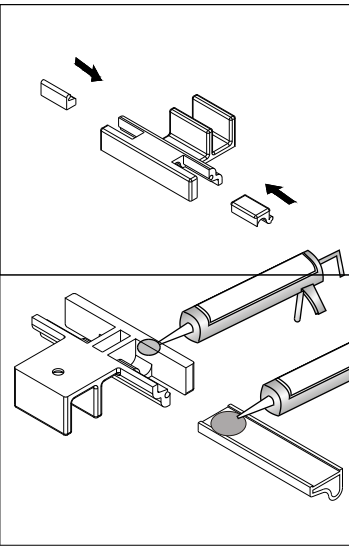
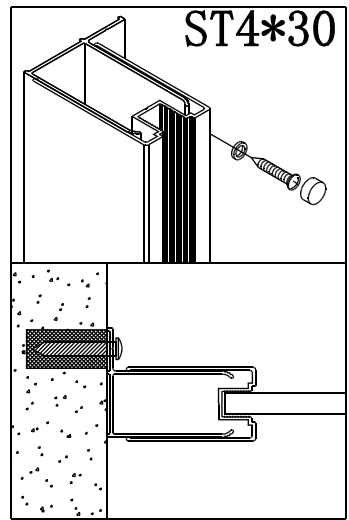


1-8

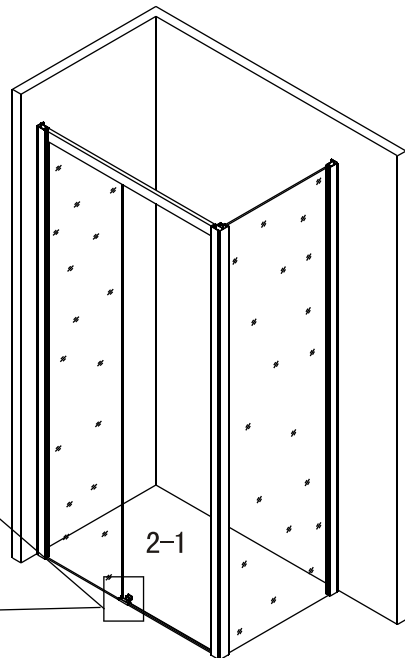


1-9

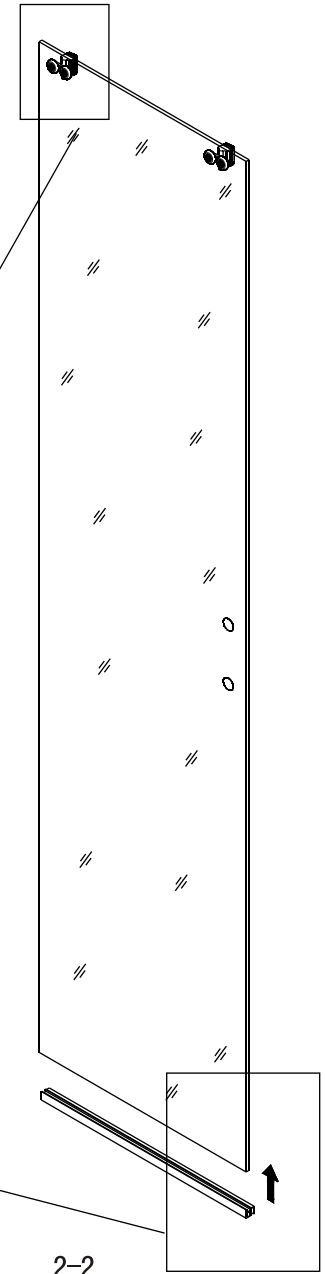
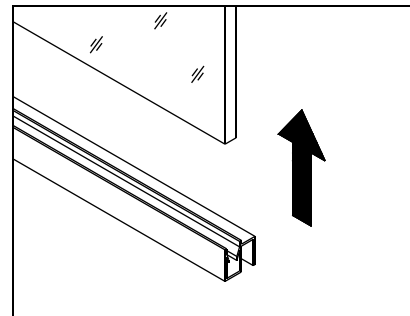
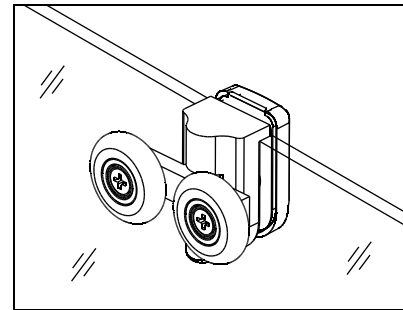
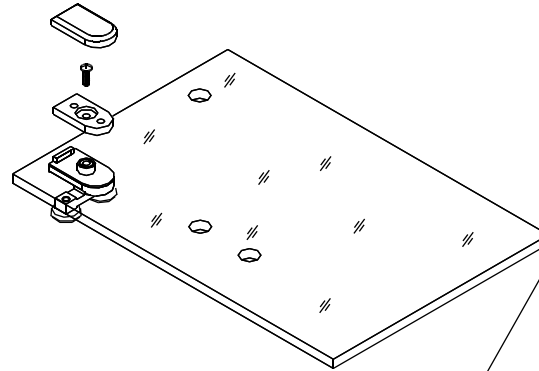
8



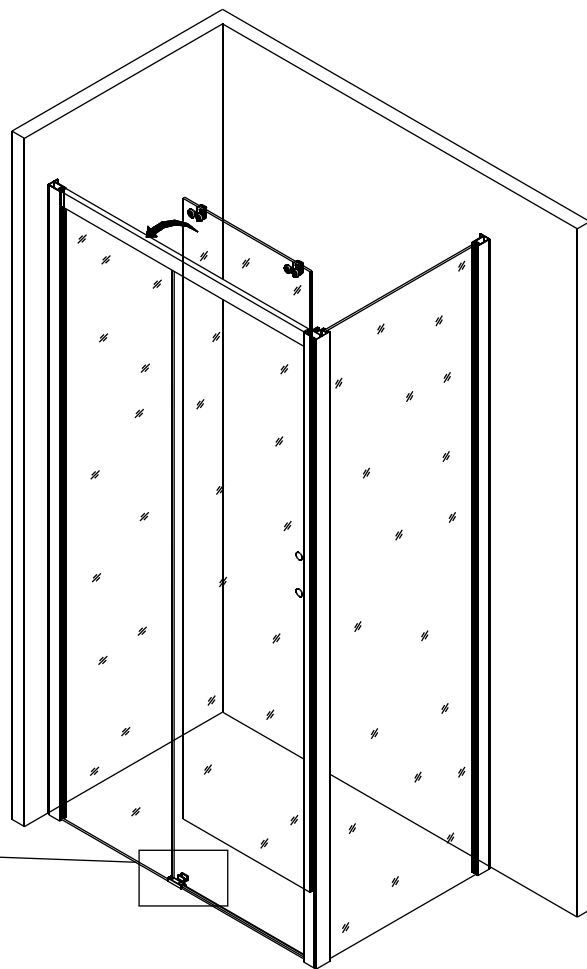
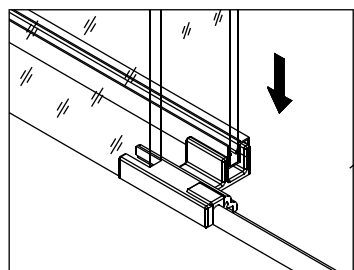
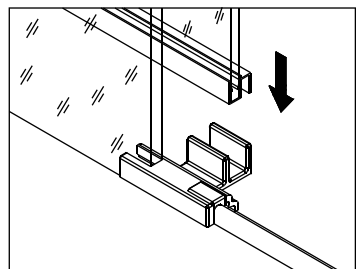
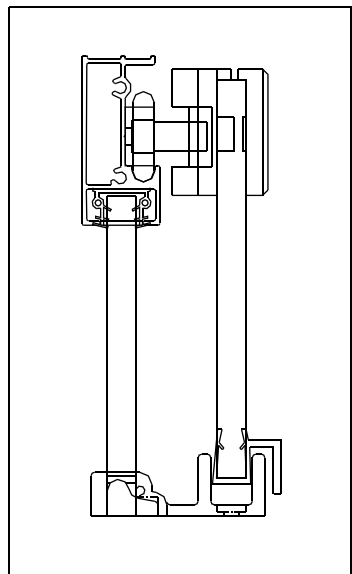
2-0



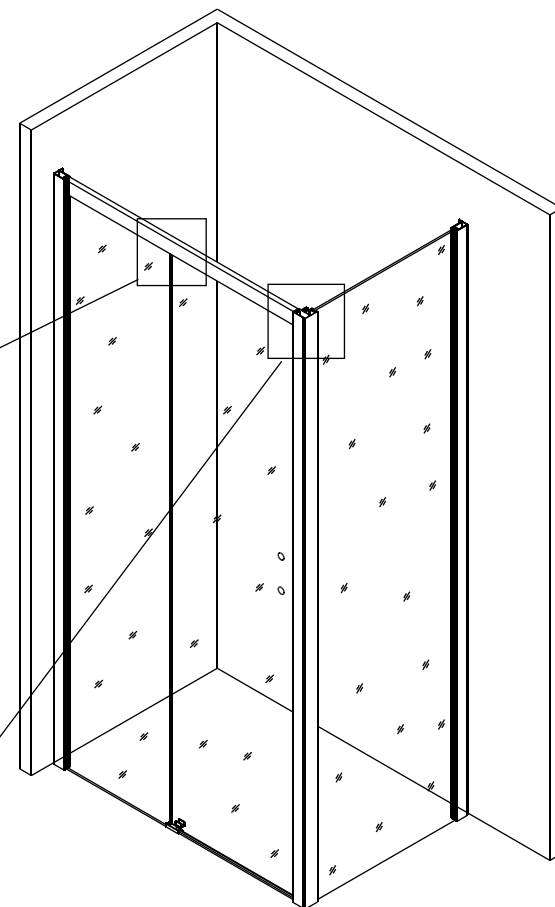
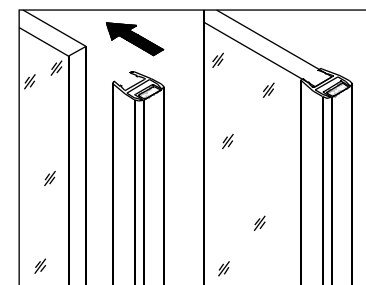
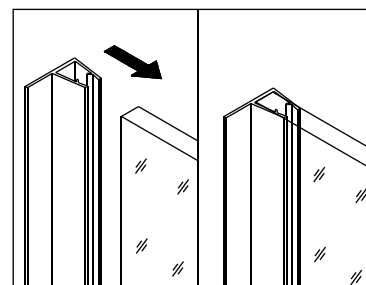
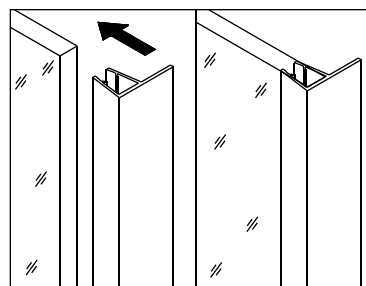
2-1



2-2



2-3



2-4

