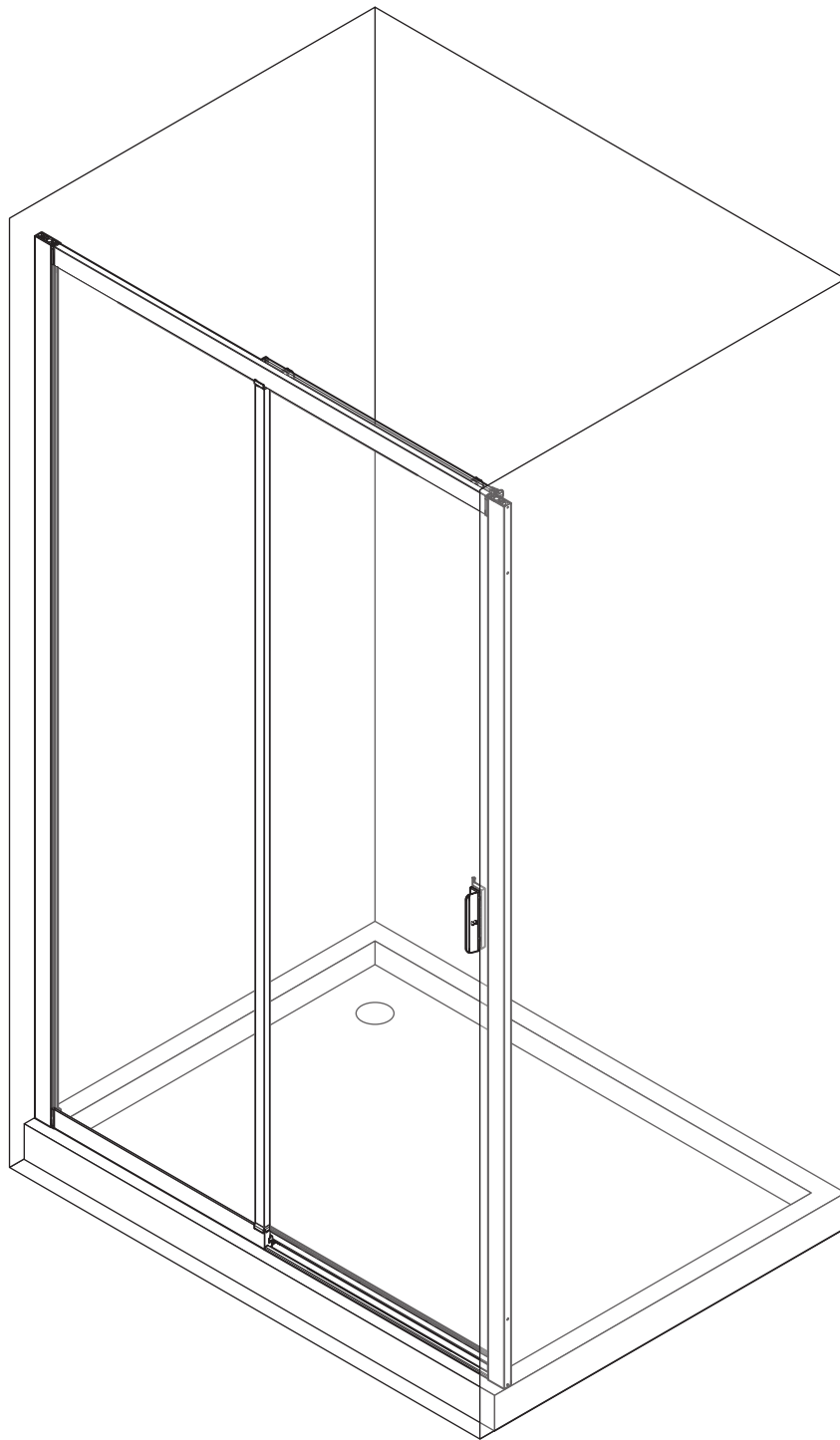
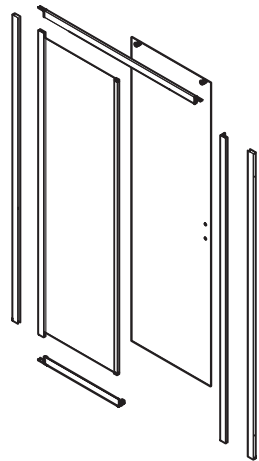
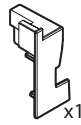
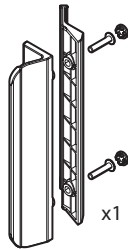
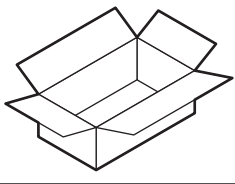
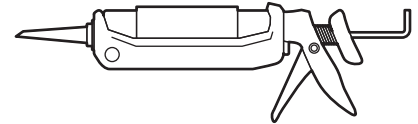
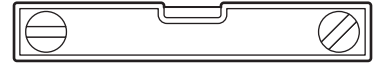
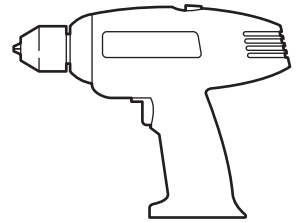
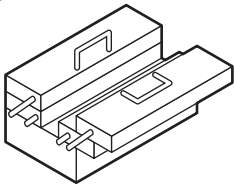
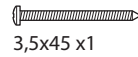


2PH

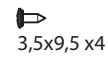




S6 x4



3,5x45 x1



3,5x9,5 x4



4x35 x4



3,5x32 x3



x4



x1



x1



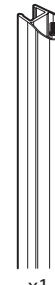
x1



x1



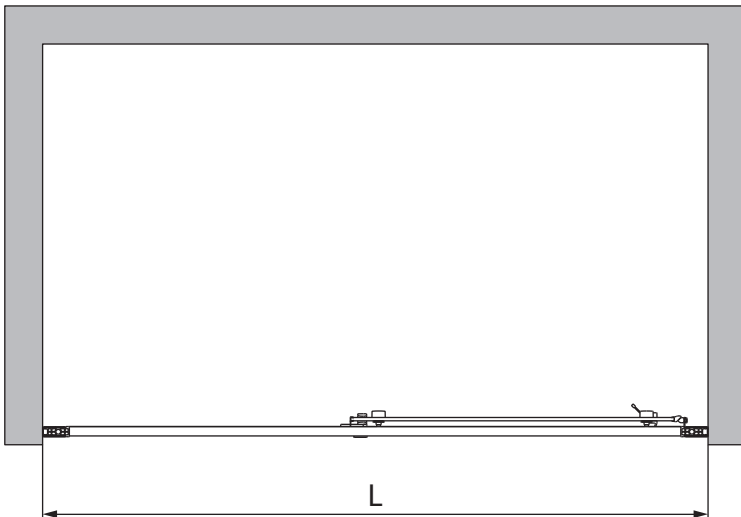
x1



x1

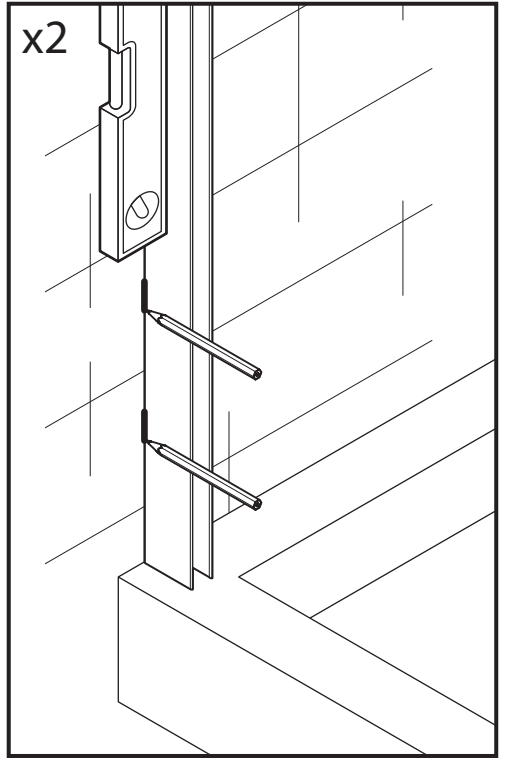
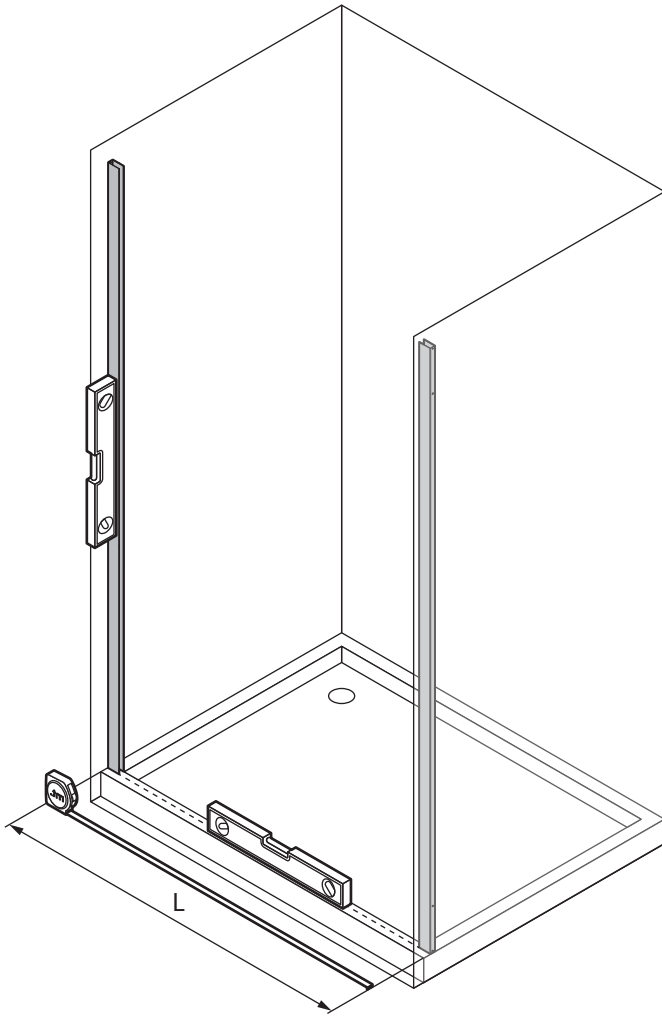


x1



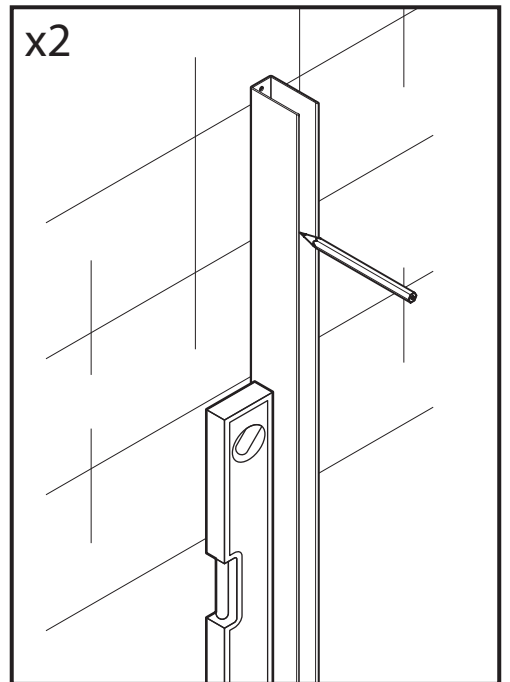
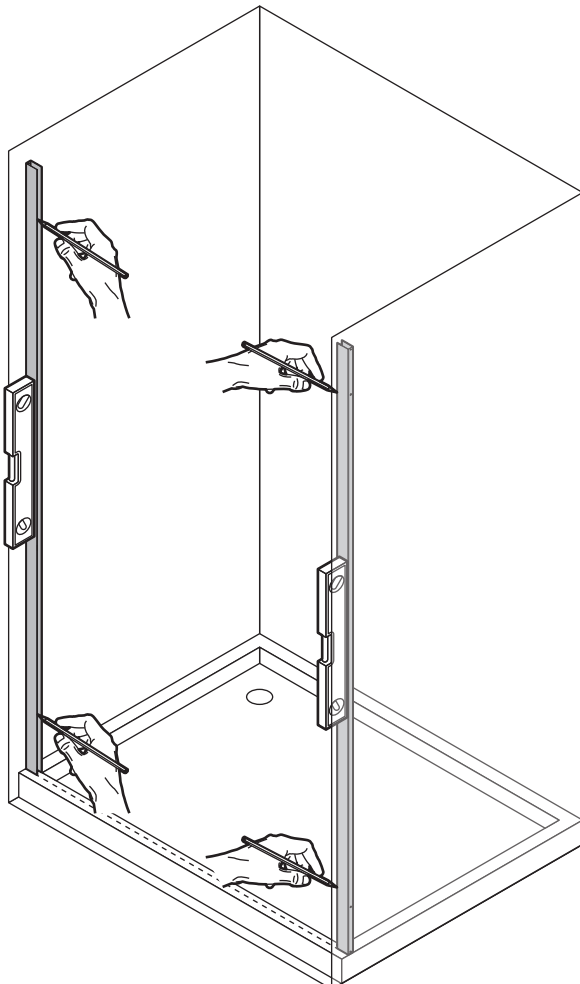
2PH96	L=96-102 cm	2PH138	L=138-144 cm
2PH102	L=102-108 cm	2PH144	L=144-150 cm
2PH108	L=108-114 cm	2PH150	L=150-156 cm
2PH114	L=114-120 cm	2PH156	L=156-162 cm
2PH120	L=120-126 cm	2PH162	L=162-168 cm
2PH126	L=126-132 cm	2PH168	L=168-174 cm
2PH132	L=132-138 cm	2PH174	L=174-180 cm

1



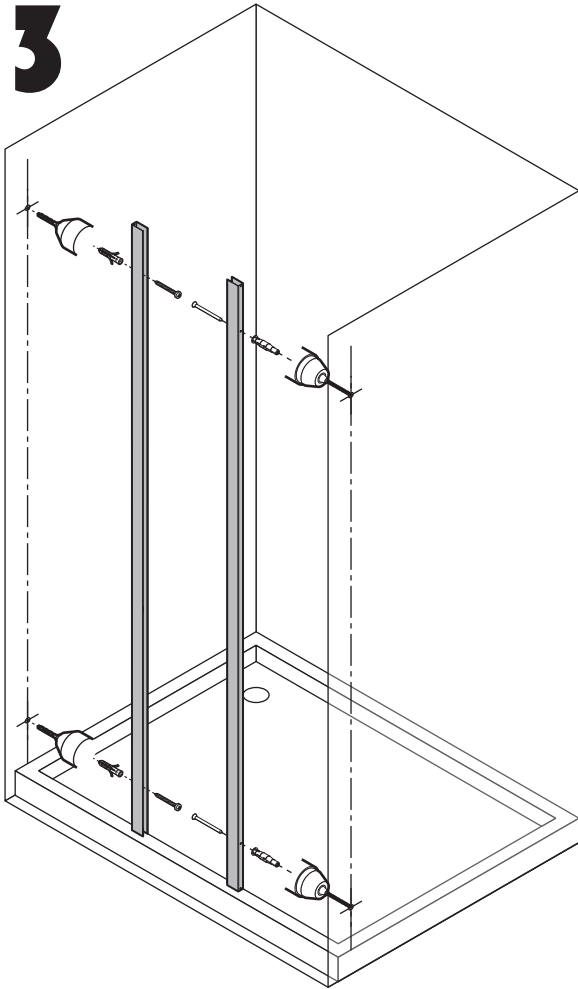
2PH96	L=96-102 cm	2PH138	L=138-144 cm
2PH102	L=102-108 cm	2PH144	L=144-150 cm
2PH108	L=108-114 cm	2PH150	L=150-156 cm
2PH114	L=114-120 cm	2PH156	L=156-162 cm
2PH120	L=120-126 cm	2PH162	L=162-168 cm
2PH126	L=126-132 cm	2PH168	L=168-174 cm
2PH132	L=132-138 cm	2PH174	L=174-180 cm

2



3

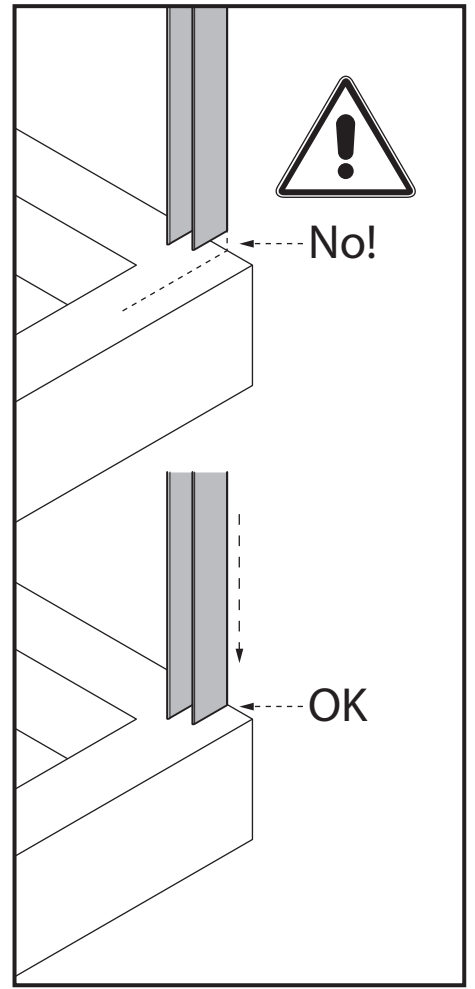
3



4x35 n.4

S6 n.4

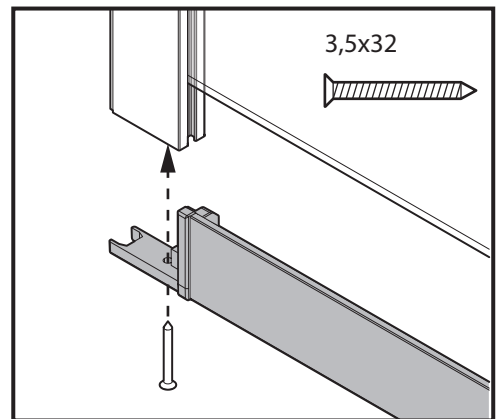
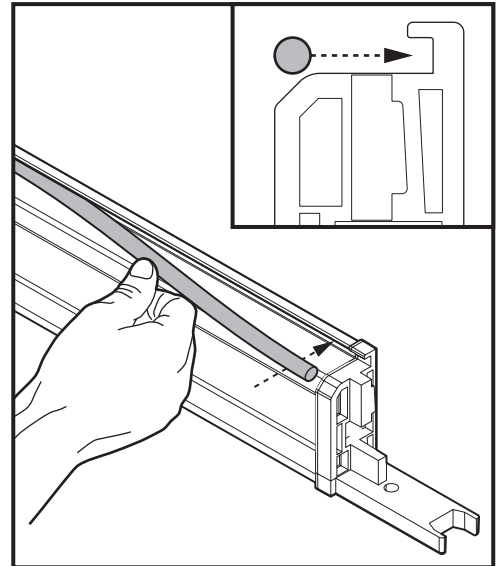
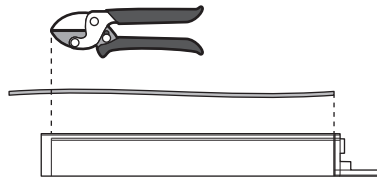
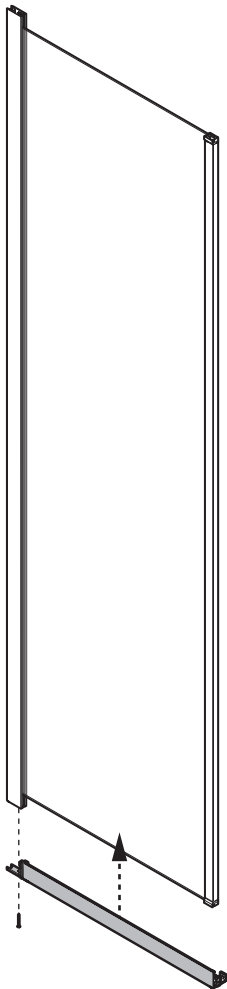
$\varnothing 6$ mm



No!

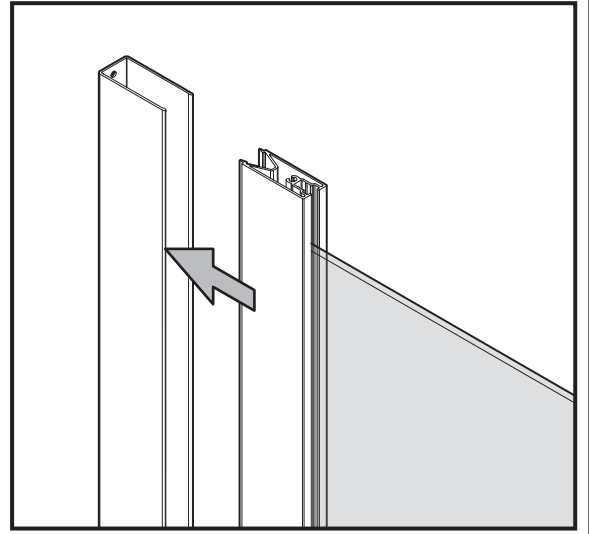
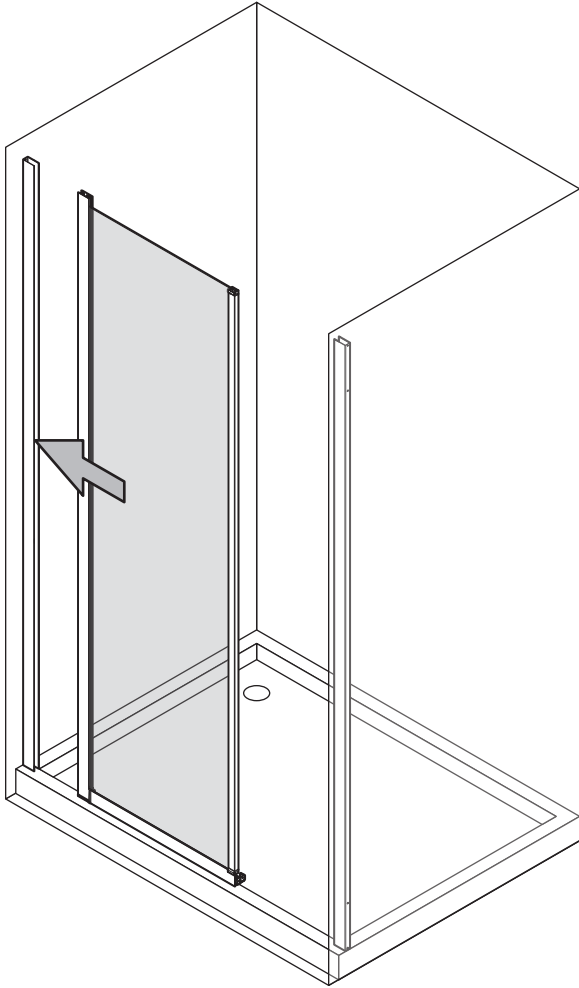
OK

4

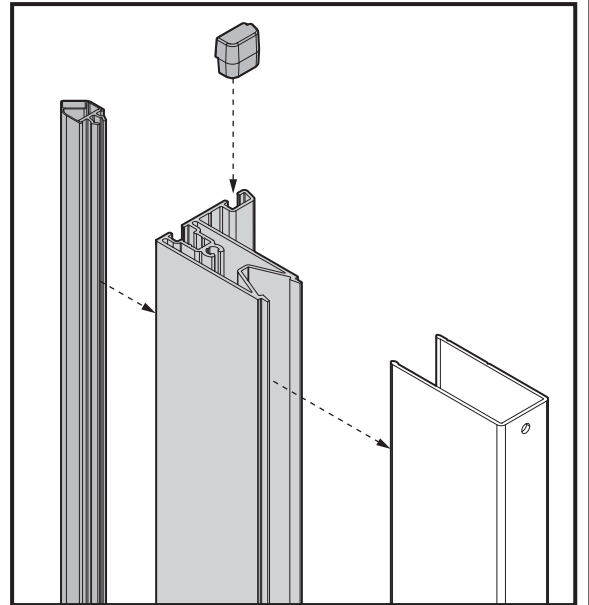
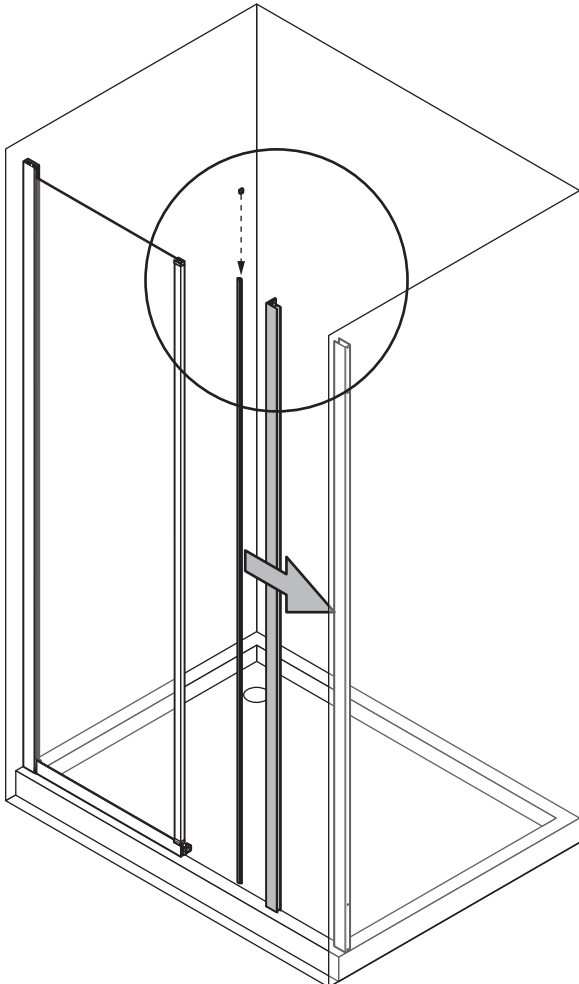


3,5x32

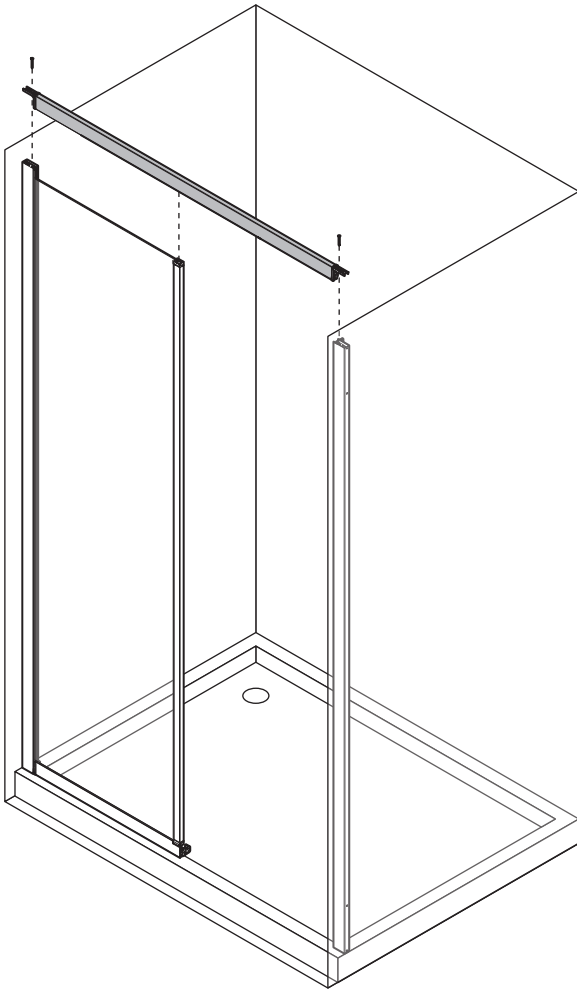
5



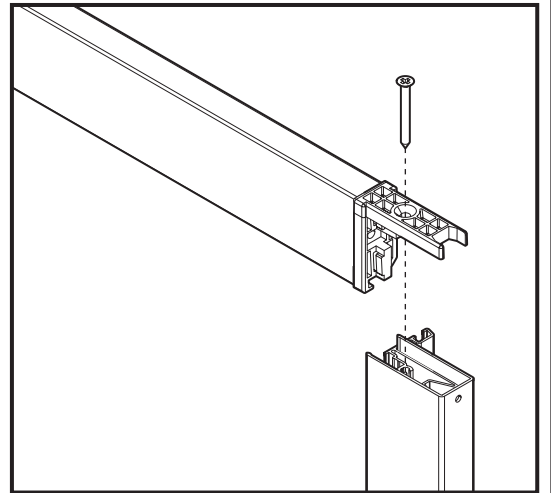
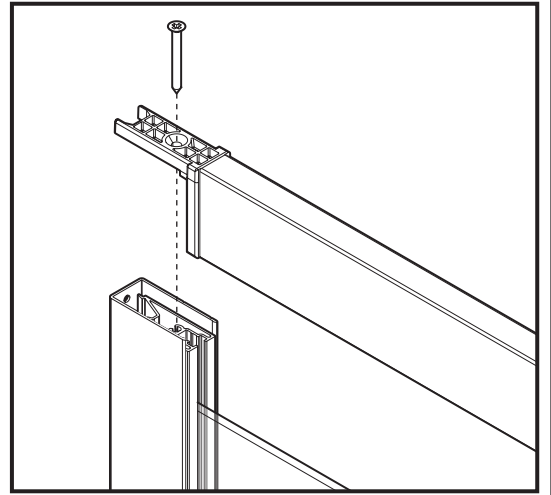
6



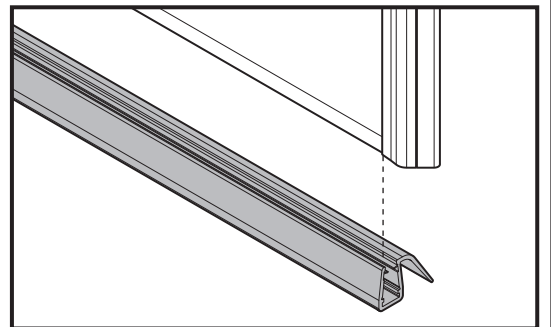
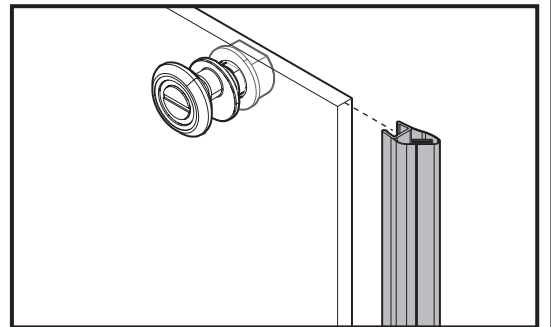
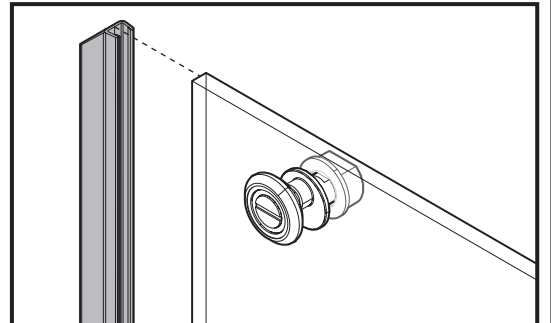
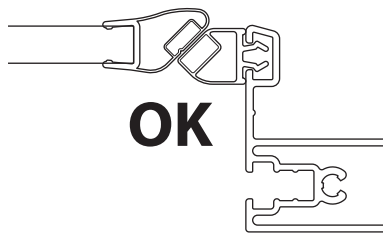
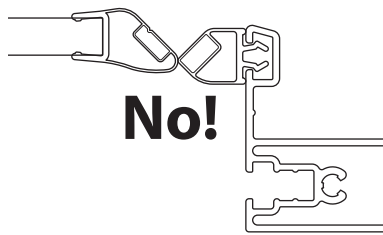
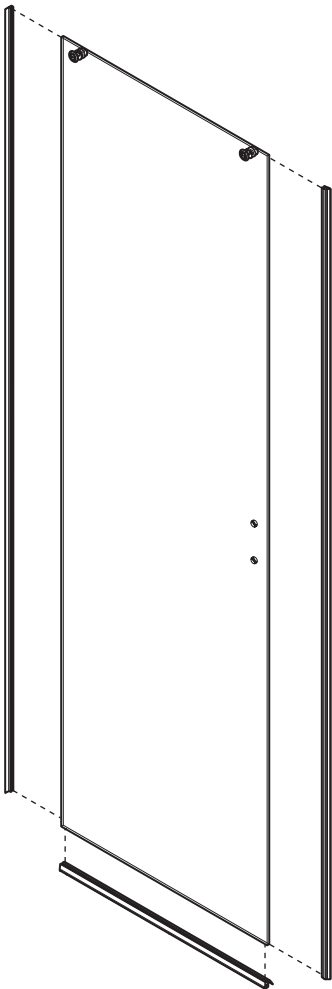
7

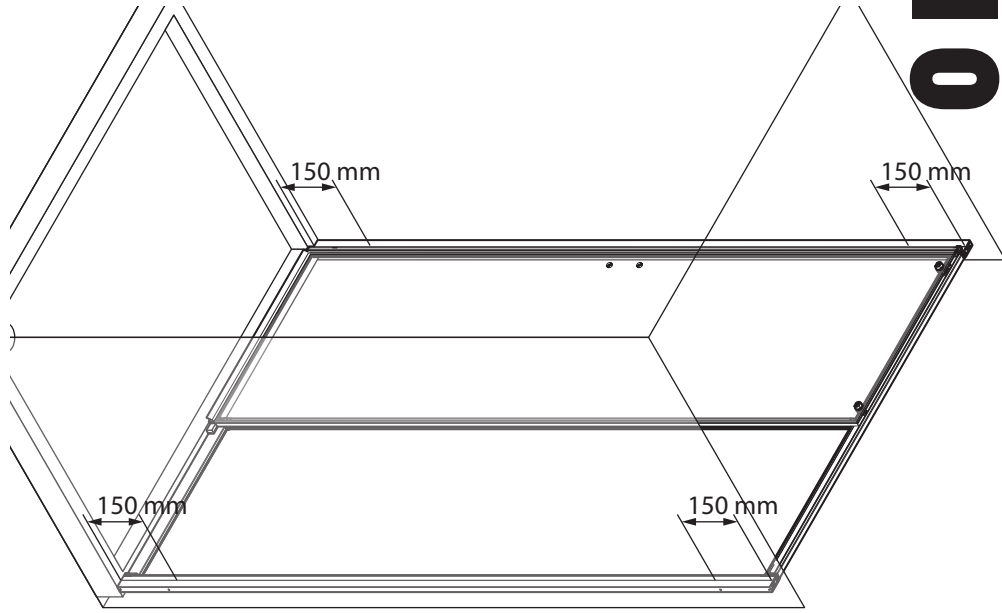


3,5x32 x2



8

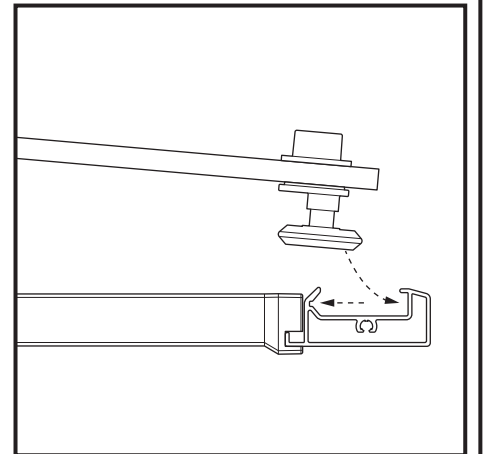
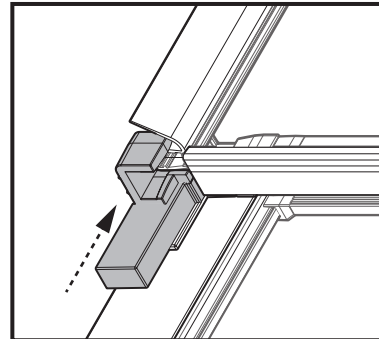
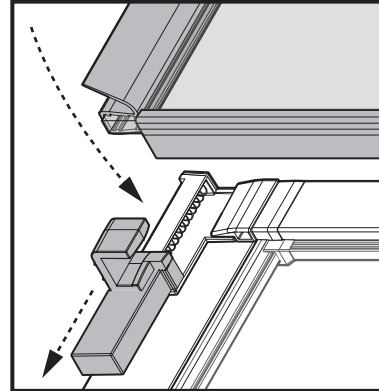
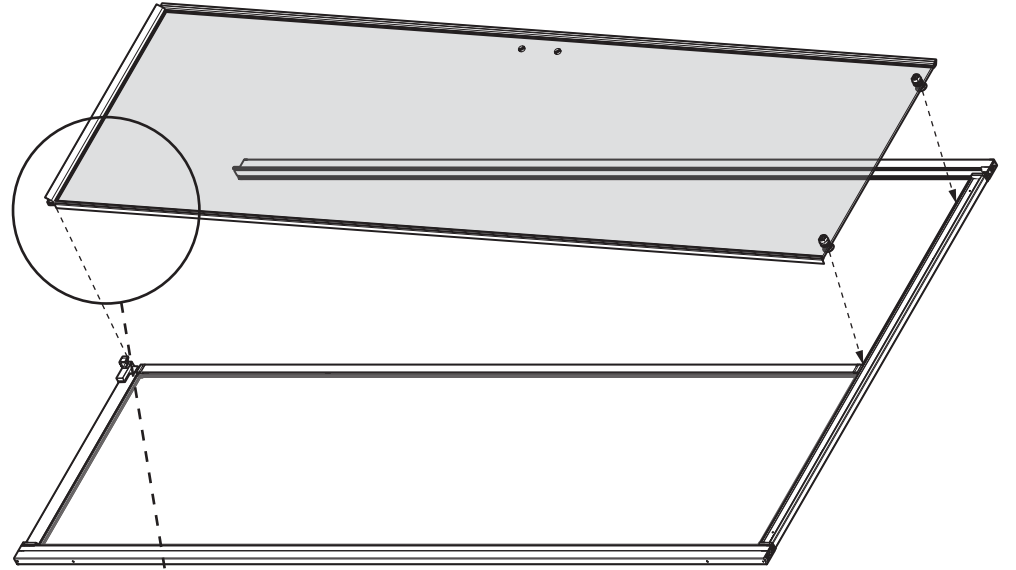
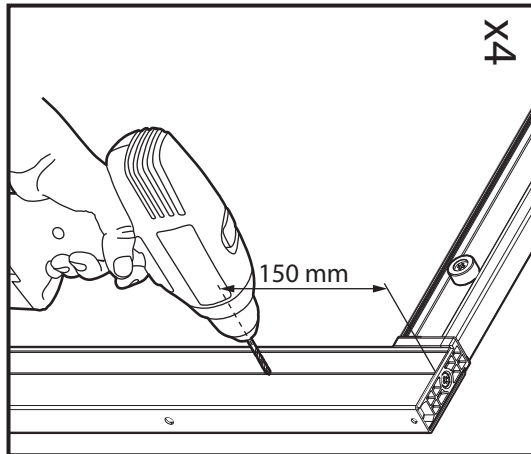
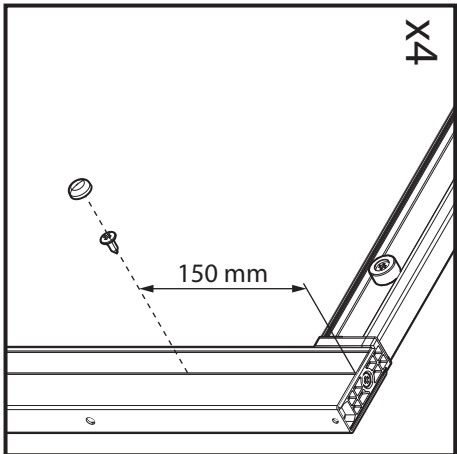




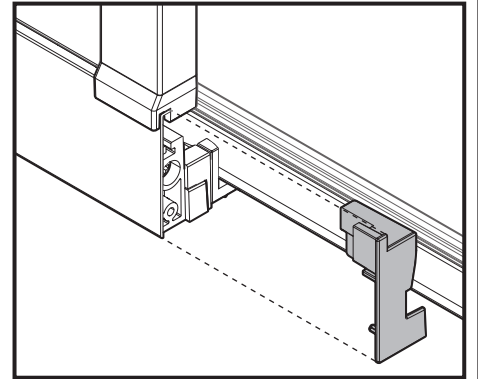
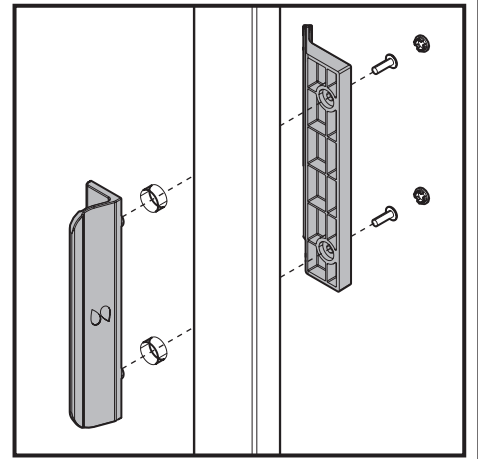
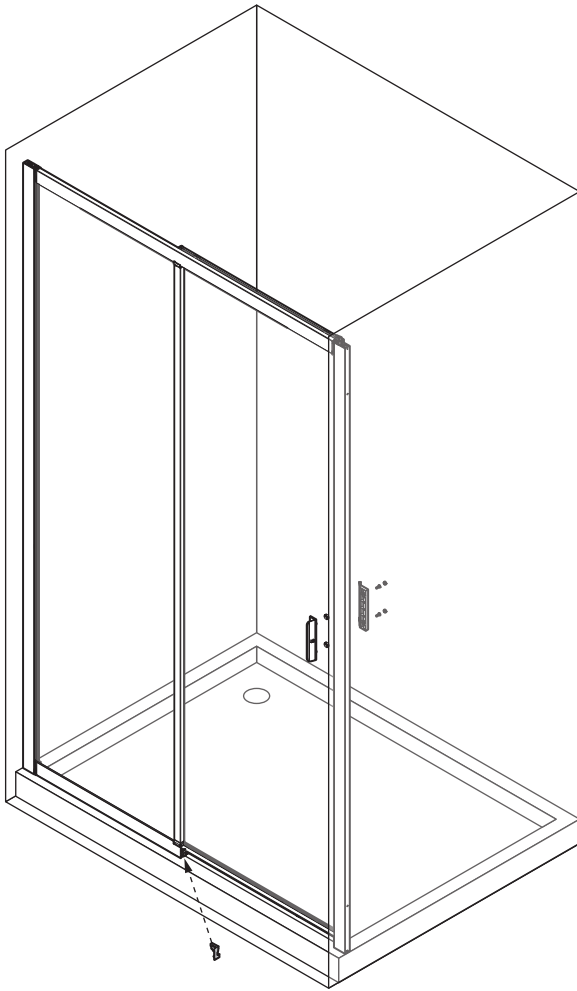
10



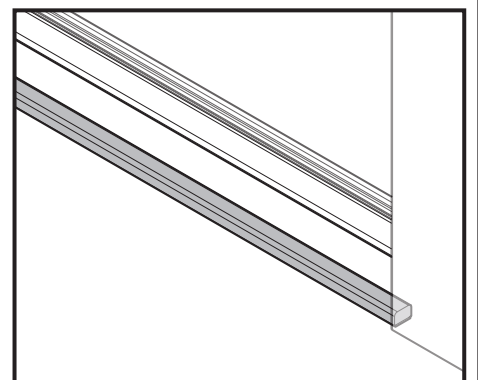
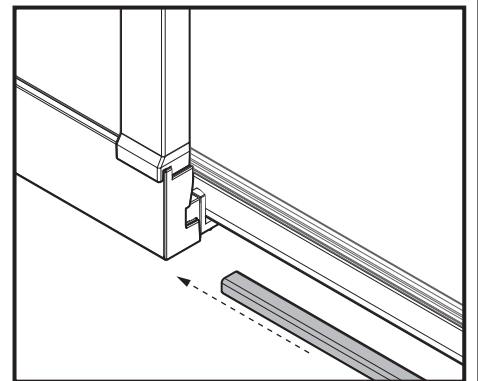
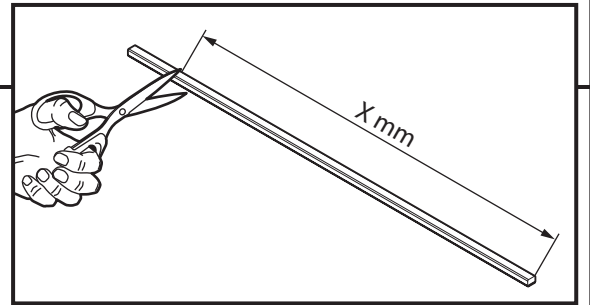
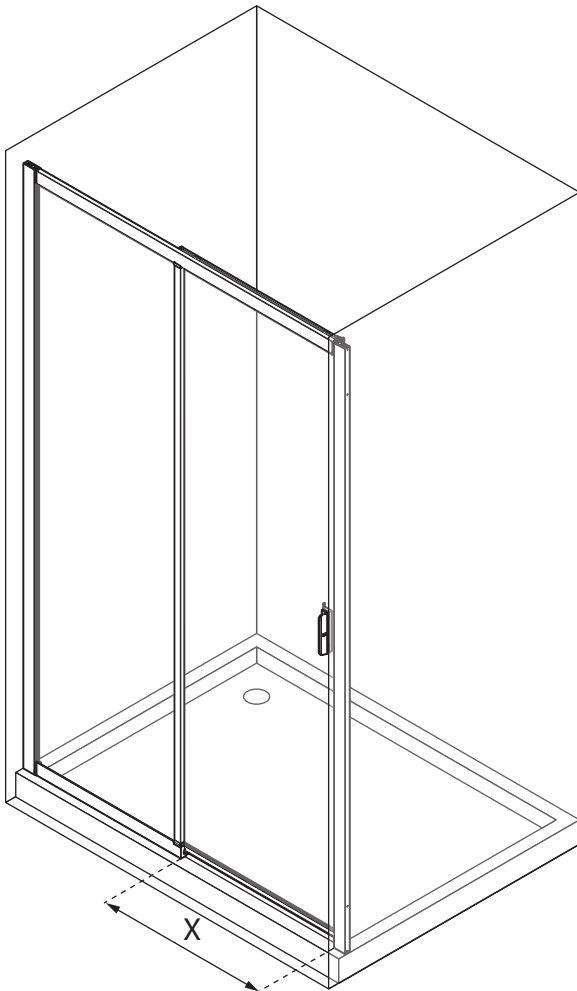
7



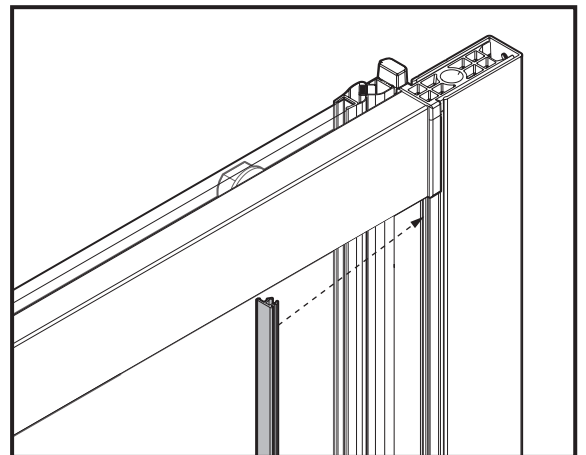
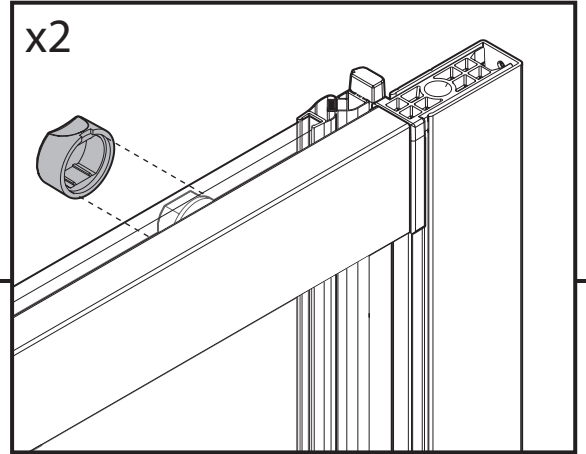
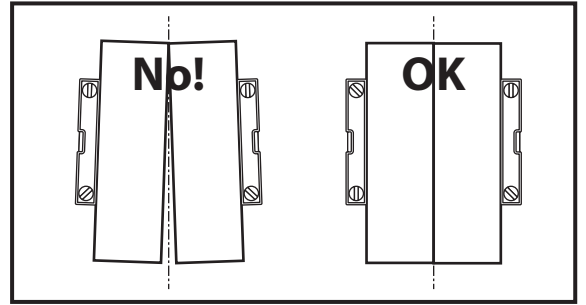
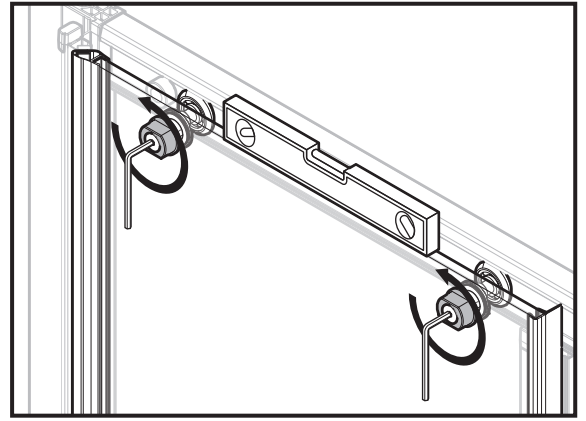
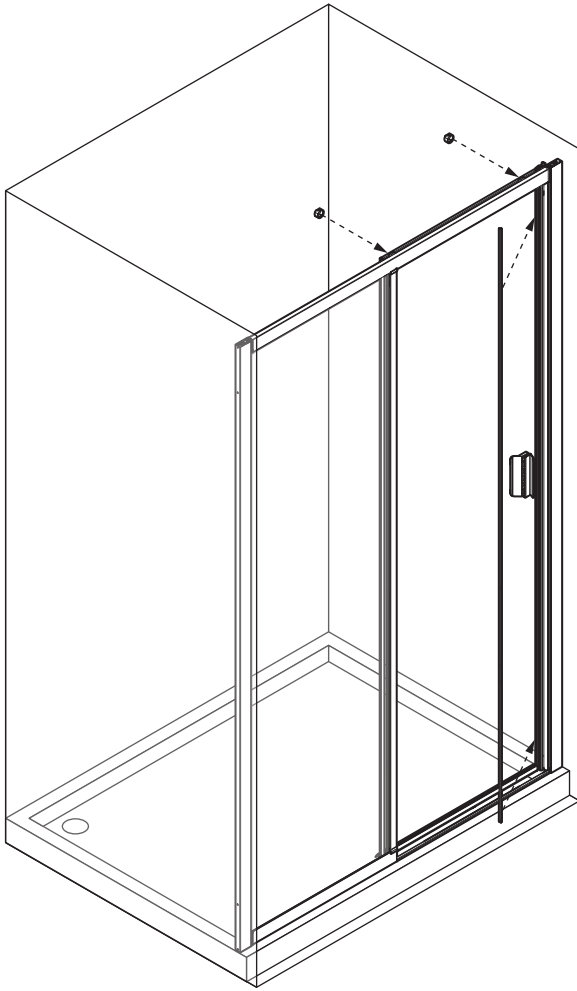
11



12



13



14

