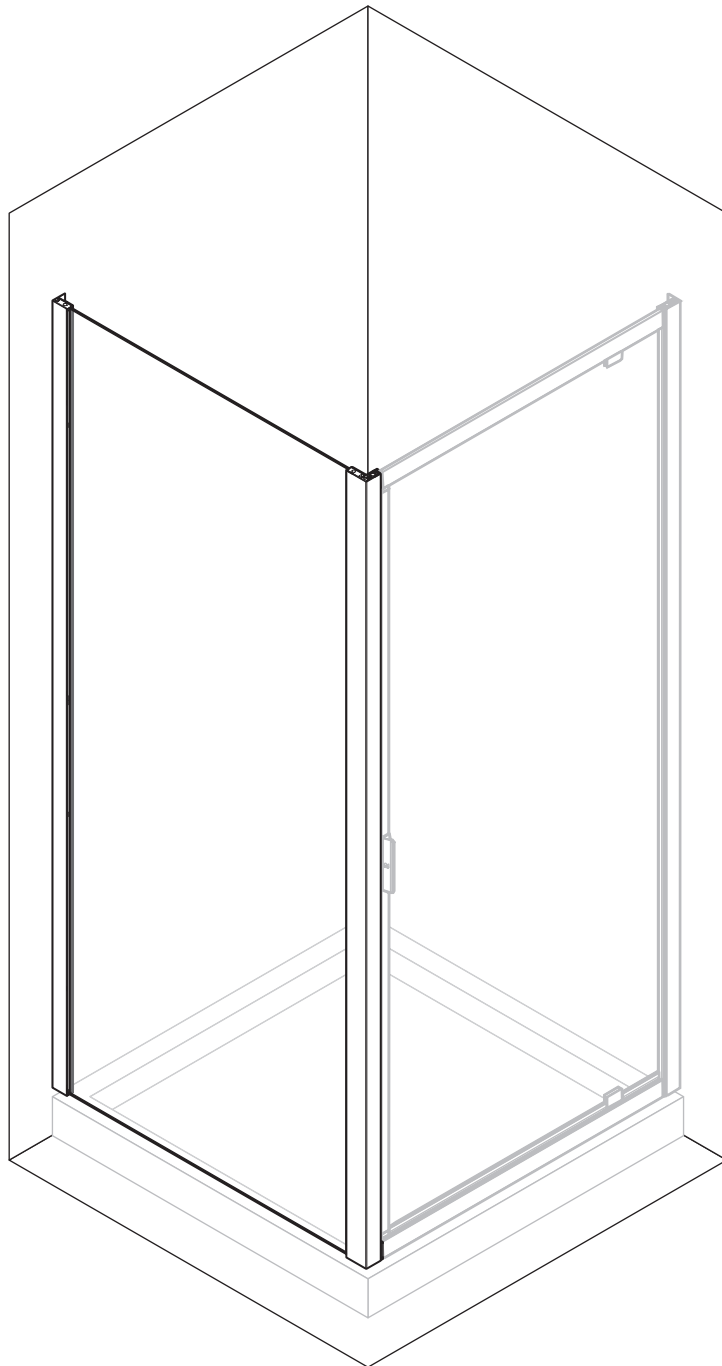
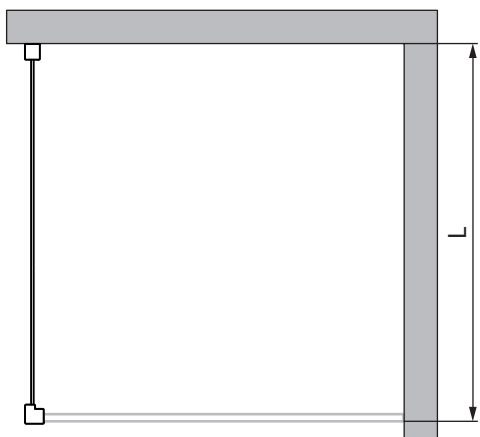
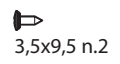
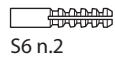
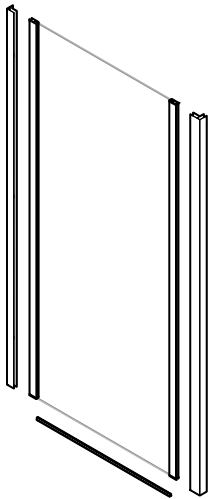
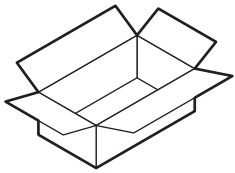
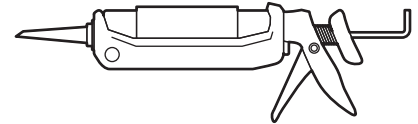
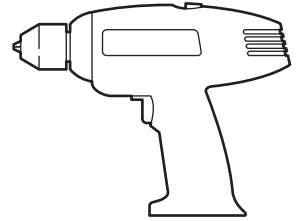
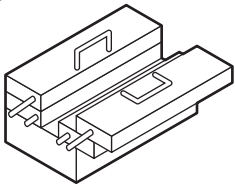


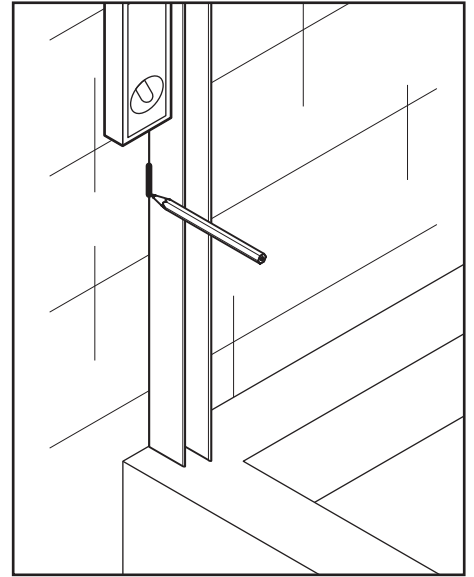
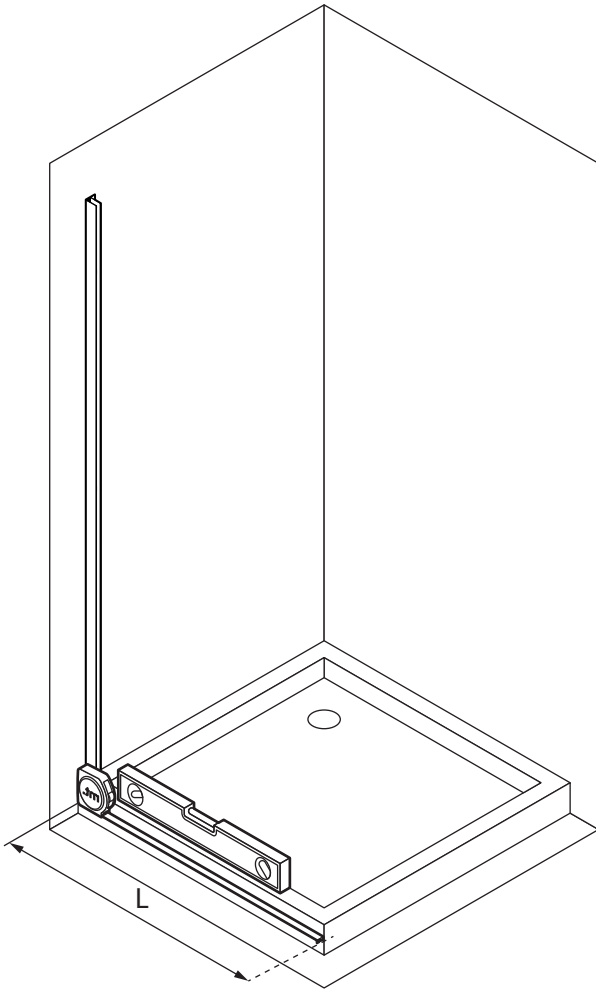
F

<hr/> <hr/> <hr/> <hr/>	<hr/> <hr/> <hr/> <hr/>
-------------------------	-------------------------



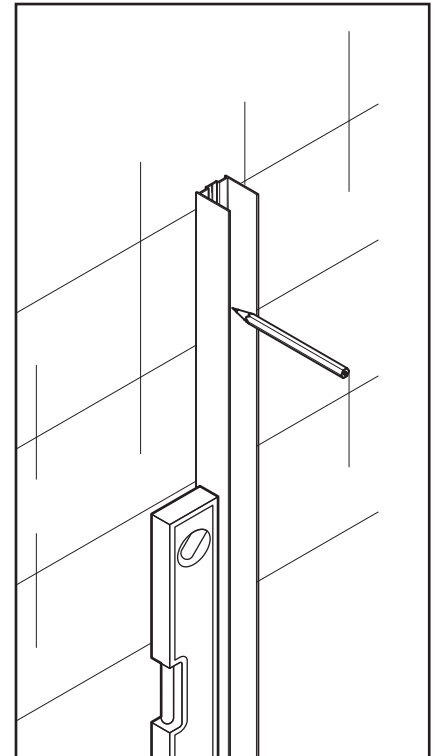
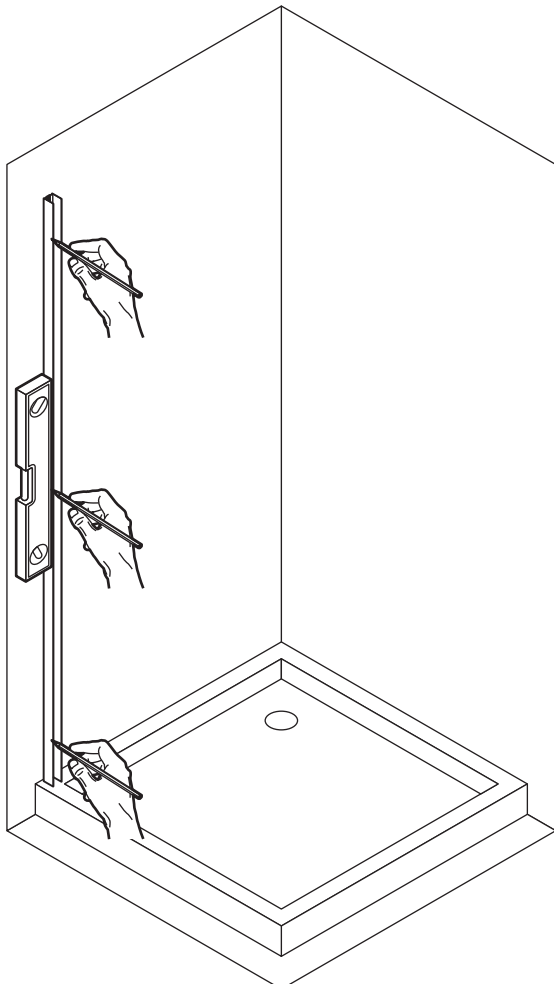
F66	L=66-72 cm
F72	L=72-78 cm
F78	L=78-84 cm
F84	L=84-90 cm
F90	L=90-96 cm
F96	L=96-102 cm

1



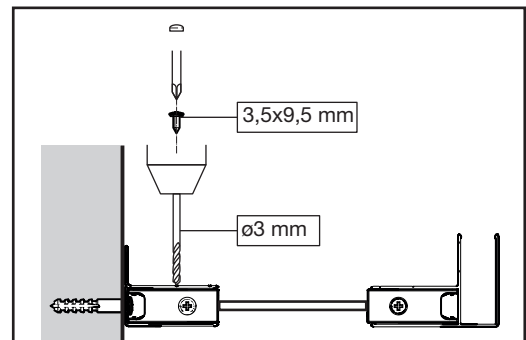
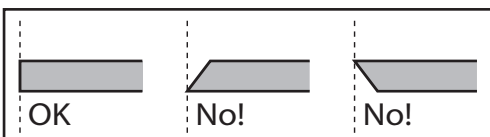
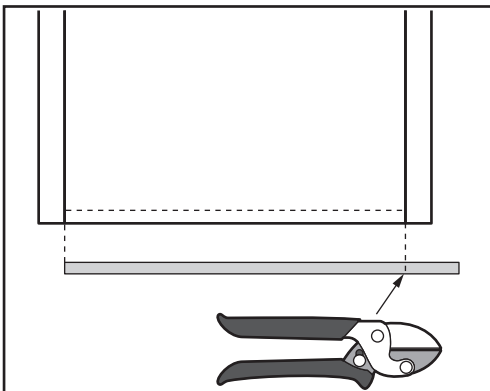
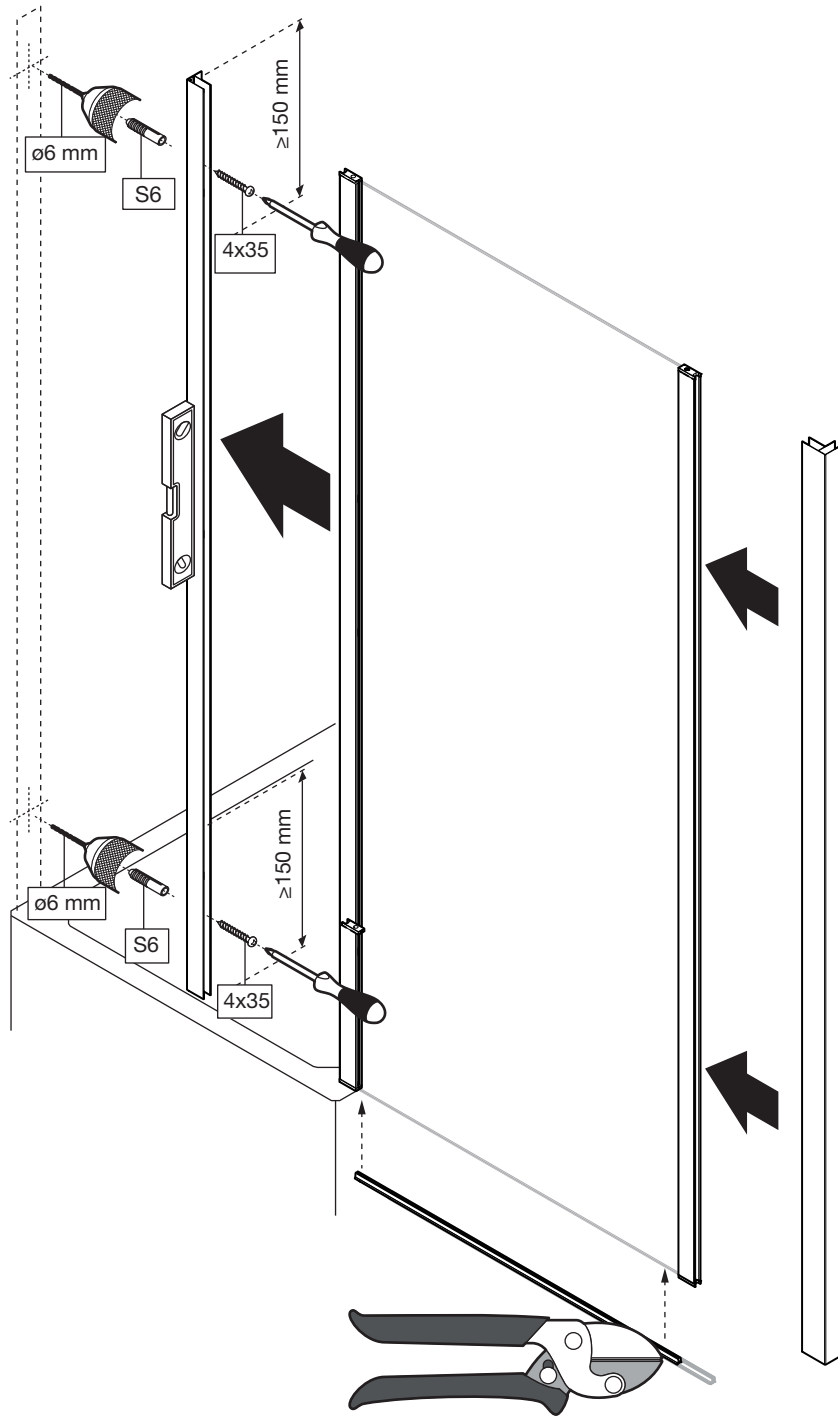
F66	L=66-72 cm
F72	L=72-78 cm
F78	L=78-84 cm
F84	L=84-90 cm
F90	L=90-96 cm
F96	L=96-102 cm

2



3

3



4

